

# FP-515

Design Number: FP-515H - Bill Of Material

<b>Ref. No.</b>	<b>Part No.</b>	<b>Description</b>	<b>Quantity</b>
<b>FirstPlay</b>			
1	ZZFP4000	SUPPORT POST	2
2	ZZFP4002	CLIMB AND SLIDE PANEL	1
3	ZZFP4004	END CLIMBER	1
4	ZZFP4006	SUPPORT POST FILLER	1
<b>Additional Tool &amp; Maintenance Kits</b>			
5	ZZUN9910	SURFACING WARNING LABEL KIT	1



# FP-515

Design Number: FP-515H - Compliance and Technical Data

Reference Document: ASTM F1487-11

Ref. No.	Part No.	Qty.	Description	Unit ASTM Status	Total Weight (lbs)	Pre-Consumer Recycled Content (lbs)	Post-Consumer Content (lbs)	CO2e Footprint (kgs)	Users	Install Hours	Concrete (Yds3)	Active Play Events
1	ZZFP4000	2	SUPPORT POST	N/A	34.72			486	2	1.00	0.00	2
2	ZZFP4002	1	CLIMB AND SLIDE PANEL	N/A	65.02			555	2	0.50	0.00	1
3	ZZFP4004	1	END CLIMBER	N/A	34.61			270	2	0.50	0.00	1
4	ZZFP4006	1	SUPPORT POST FILLER	N/A	4.89			84	0	0.25	0.00	0
5	ZZUN9910	1	SURFACING WARNING LABEL KIT	Certified	0.05			1	0	0.25	0.00	0
<b>Totals:</b>					<b>139.29</b>	<b>0</b>	<b>0</b>	<b>1,395</b>	<b>6</b>	<b>2.50</b>	<b>0.00</b>	<b>4</b>
					<b>62.68 Kg</b>	<b>0 Kg</b>	<b>0 Kg</b>	<b>1 Metric Tons</b>			<b>0.00 m3</b>	



# FP-515

Design Number: FP-515H - Compliance and Technical Data

Reference Document: ASTM F1487-11

Ref. No.	Part No.	Qty.	Description	Unit ASTM Status	Total Weight (lbs)	Pre-Consumer Recycled Content (lbs)	Post-Consumer Content (lbs)	CO2e Footprint (kgs)	Users	Install Hours	Concrete (Yds3)	Active Play Events
----------	----------	------	-------------	------------------	--------------------	-------------------------------------	-----------------------------	----------------------	-------	---------------	-----------------	--------------------

## ASTM F1487-11

The lay-out for this custom playscape, design number FP-515H, has been configured to meet the requirements of the ASTM F1487-11 standard. In addition, each of the above components listed as "Certified" have been tested and are IPEMA certified. Components listed as "Not Applicable" do not fall within the scope of the ASTM F1487-11 standard and have not been tested. IPEMA certification can be verified on the IPEMA website, [www.ipema.org](http://www.ipema.org). In the interest of playground safety, IPEMA provides a Third Party Certification Service which validates compliance.

## Americans with Disabilities Act Accessibility Guidelines (ADAAG)

The lay-out was also designed to meet the ADAAG published 23-July-2004, by the United States Access Board who installed over a properly maintained surfacing material that is in compliance with ASTM F1951 "Accessibility of Surface Systems Under and Around Playground Equipment" as well as ASTM F1292, "Impact Attenuation of Surfacing Materials Within the Use Zone of Playground Equipment", appropriate for the fall height of the structure.

## Installation Times

Installation times are based on one experienced installer. A crew of three experienced individuals can perform the installation within the given time, each member working 1/3 of the given hours. [Eg. Installation Time = 30 hours. For a crew of three, each member will work 10 hours on the installation for a total of 30 hours on the project.]

## Carbon Footprint

The CO2e (carbon footprint given in Kilograms and Metric Tons) listed above is a measure of the environmental impact this play structure represents from harvesting raw materials to the time it leaves our shipping dock. Playworld Systems nurtures a total corporate culture that is focused on eliminating carbon producing processes and products, reducing our use of precious raw materials, reusing materials whenever possible and recycling materials at every opportunity. Playworld Systems elected to adopt the Publicly Available Specification; PAS 2050 as published by the British Standards Institute and sponsored by Defra and the Carbon Trust. The PAS 2050 has gained international acceptance as a specification that measures the greenhouse gas emissions in services and goods throughout their entire life cycle.

## Pre-Consumer Recycle Content

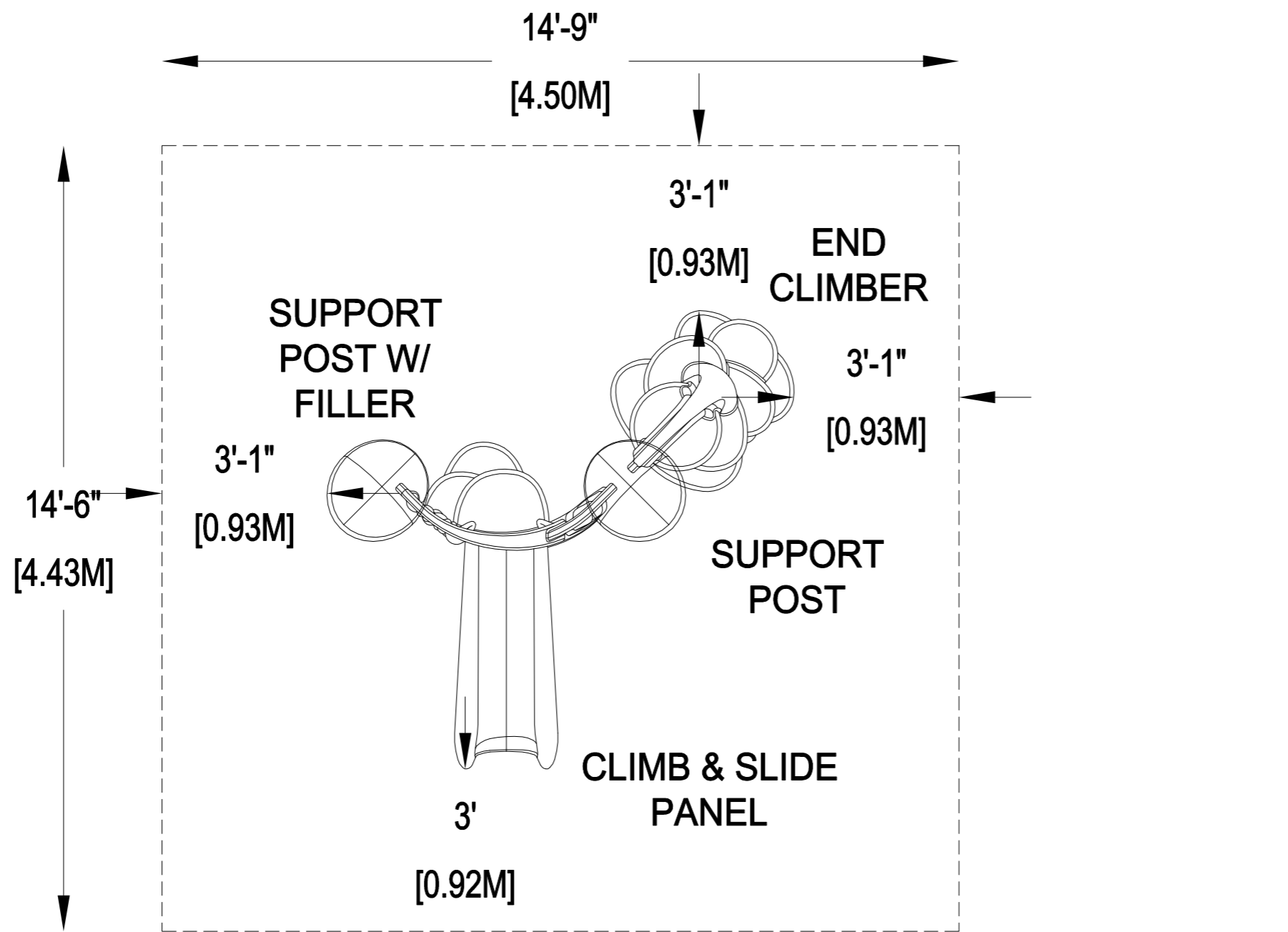
A measurement, in pounds, that qualifies the amount of material that was captured as waste and diverted from landfill during an initial manufacturing process and is being redirected to a separate manufacturing process to become a different product. E.g. 100% of our Aluminum Tubing is made from captured waste material during the manufacturing process of extruded Aluminum products such as rods, flat bars and H-channels.

## Post-Consumer Recycle Content

A measurement, in pounds, that qualifies the amount of material that was once another product that has completed its lifecycle and has been diverted from a landfill as a solid waste through recycling and is now being used in a Playworld Systems' product. E.g. \*\*20% to 40% of the steel in our steel tubing and sheet steel have been diverted from landfills. Automobiles are scrapped and recyclable steel is purchased by the steel mill that produces our raw product.

\*\* The amount of Post-Consumer recycled steel fluctuates daily based on the availability of the recycled steel.





PERIMETER: 59' (17,98M)  
PER ASTM F2373-08



\*Playground Supervision Required

Playworld Systems, Inc.  
1000 Buffalo Road  
Lewisburg, PA  
17837-9795 USA

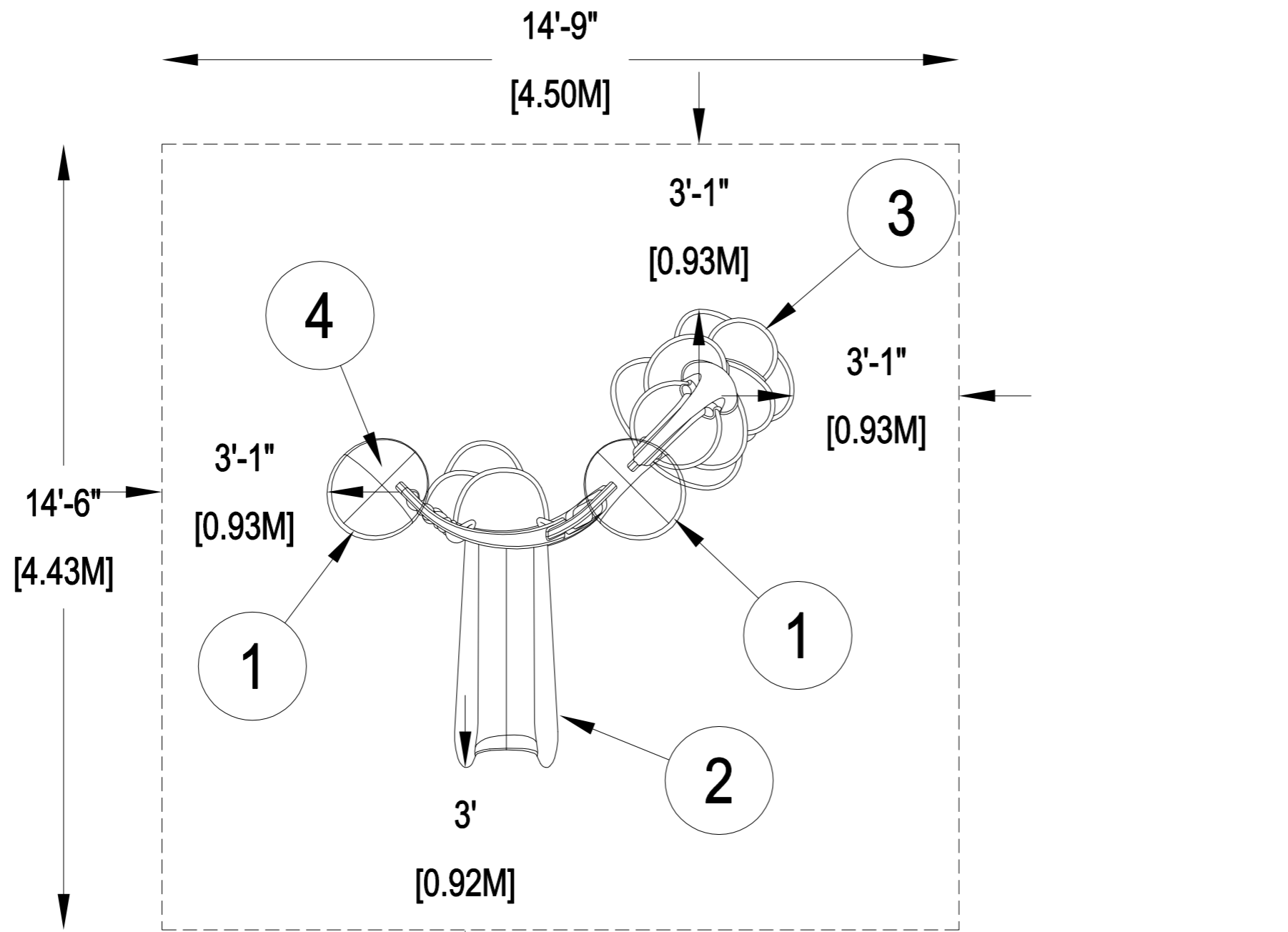


- 6 USERS
- 6mo-23mo
- 8'9" X 8'6" X 5'
- 2,67M X 2,63M X 1,53M
- 2 FL
- .61 M.
- 215 Sq.Ft.
- 19,98 Sq.M
- 14'9" X 14'6"
- 4,50M X 4,43M

PROJECT NO: FP-515	REV: H	DATE: 15-MAR-12
SYSTEM: FIRSTPLAY		SCALE: NOT TO SCALE
SITE PLAN		DRAWN BY: CHIP ZECHMAN

# FP-515

CATALOG PRE-DESIGN





\*Playground Supervision Required


Playworld Systems, Inc.  
1000 Buffalo Road  
Lewisburg, PA  
17837-9795 USA


**PLAYWORLD**<sup>TM</sup>


© 2007 Playworld Systems, Inc.  
Playworld is a brand of Playworld Systems, Inc.


- 


6 USERS
- 

6mo-23mo
- 

8'9" X 8'6" X 5'  
2,67M X 2,63M X 1,53M
- 

2 FL  
.61 M.
- 

215 Sq.Ft.  
19,98 Sq.M
- 

14'9" X 14'6"  
4,50M X 4,43M
- 

PROJECT NO: FP-515	REV: H	DATE: 15-MAR-12
SYSTEM: FIRSTPLAY		SCALE: NOT TO SCALE
SITE PLAN		DRAWN BY: CHIP ZECHMAN

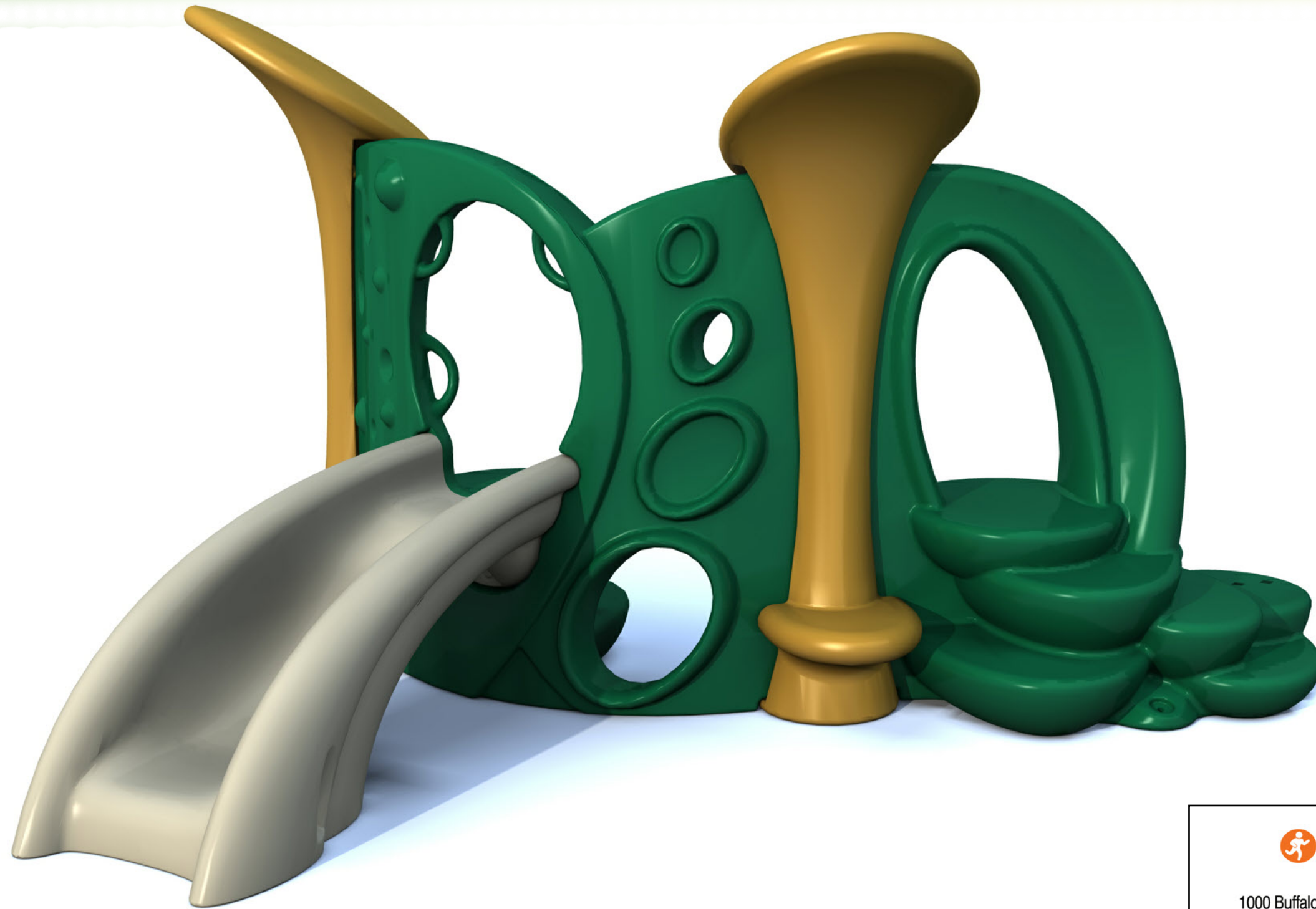
**FP-515**

CATALOG PRE-DESIGN



# FP-515

*Catalog Pre-Design*



1000 Buffalo Road, Lewisburg, Pa 17837  
phone 570.522.9800 - fax 570.522.3030 - 800.233.8404  
[www.playworldsystems.com](http://www.playworldsystems.com)

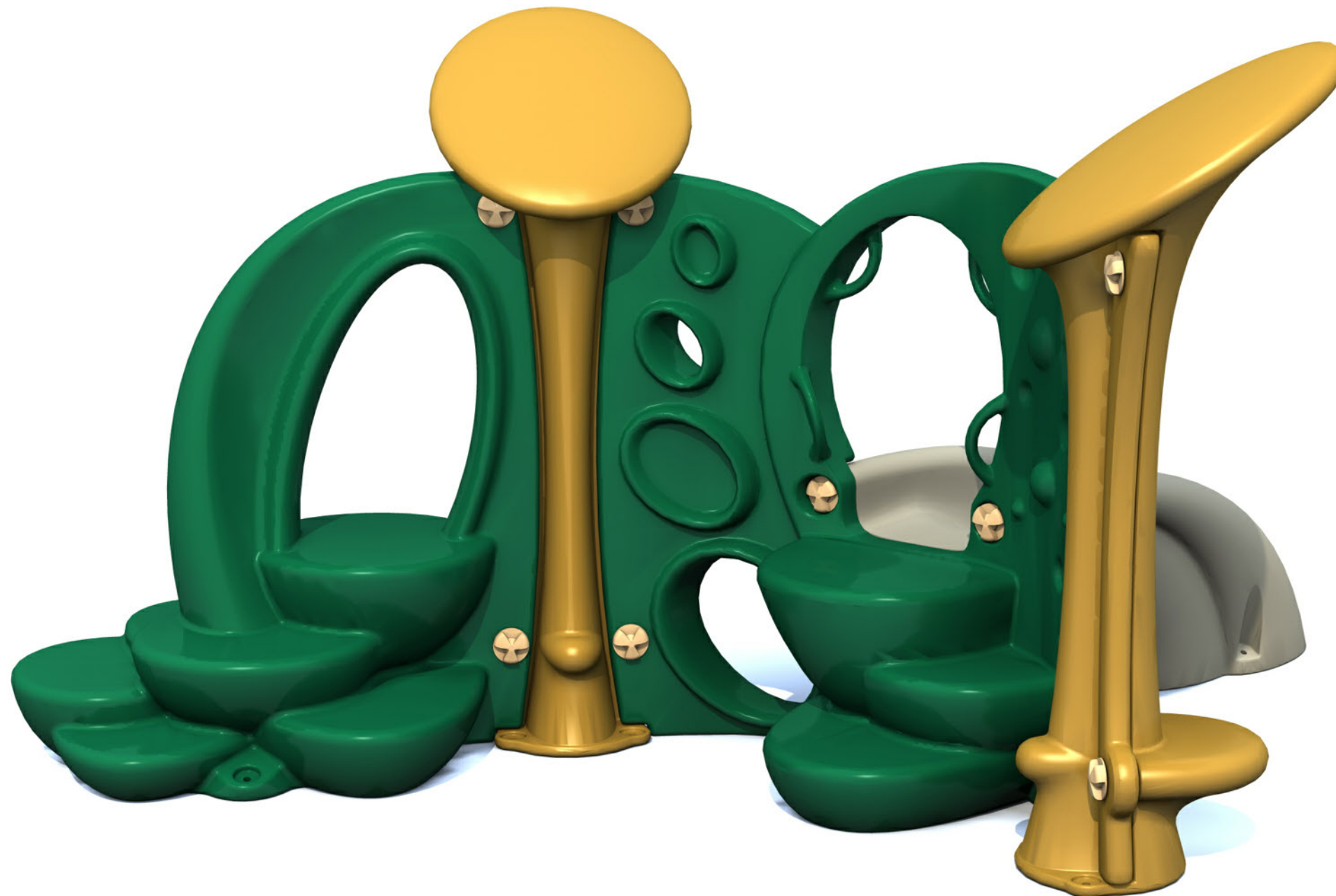


# FP-515

Catalog Pre-Design



1000 Buffalo Road, Lewisburg, Pa 17837  
 phone 570.522.9800 - fax 570.522.3030 - 800.233.8404  
[www.playworldsystems.com](http://www.playworldsystems.com)



Design Number: FP-515  
 FirstPlay™ playscape layout per ASTM F2373-08

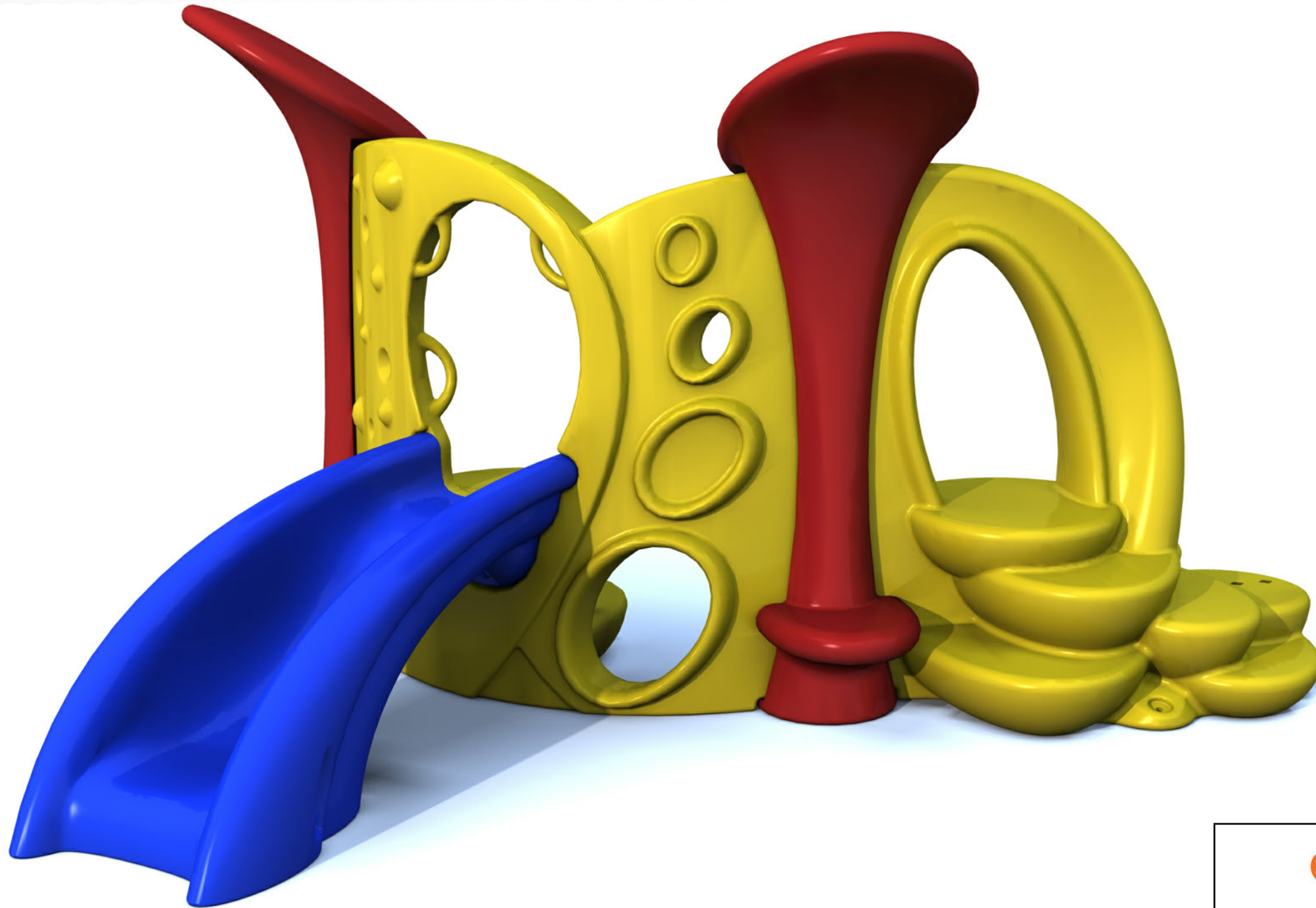
Weight: .....140 lbs (63.5 kg)	Age Group: .....6-23 Months
Length: .....8'-08" (2,64 m)	Use Zone L: .....14'-09" (4,50 m)
Width: .....8'-07" (2,62 m)	Use Zone W: .....14'-06" (4,42 m)
Height: .....5'-00" (1,52 m)	Number of Users: .....6
Installation Time: .....3 Hours	Number of Play Events: .....4

Colors Shown: Islands





{ FP-515 }  
*Catalog Pre-Design*



1000 Buffalo Road, Lewisburg, Pa 17837  
phone 570.522.9800 - fax 570.522.3030 - 800.233.8404  
[www.playworldsystems.com](http://www.playworldsystems.com)