

PSD-1101-FTD

Design Number: PSD-1101A-FTD - Bill Of Material

Ref. No.	Part No.	Description	Quantity
1	ZZEL0001	PLAY SIMPLE MODULE #1	1
2	ZZEL0005	PLAY SIMPLE MODULE #1 FOOTING KIT	1



PSD-1101-FTD

Design Number: PSD-1101A-FTD - Compliance and Technical Data

Reference Document: ASTM F1487-07

Ref. No.	Part No.	Qty.	Description	Unit ASTM Status	Total Weight (lbs)	Pre-Consumer Recycled Content (lbs)	Post-Consumer Content (lbs)	CO2e Footprint (kgs)	Users	Install Hours	Concrete (Yds3)	Active Play Events
1	ZZEL0001	1	PLAY SIMPLE MODULE #1	Certified	847.94			2,438	10	4.50	0.00	4
2	ZZEL0005	1	PLAY SIMPLE MODULE #1 FOOTING KIT	N/A	79.65			126	0	5.50	0.50	0
Totals:					927.59	200	346	2,564	10	10.00	0.50	4
					417.42 Kg	90 Kg	156 Kg	3 Metric Tons				0.38 m3



PSD-1101-FTD

Design Number: PSD-1101A-FTD - Compliance and Technical Data

Reference Document: ASTM F1487-07

Ref. No.	Part No.	Qty.	Description	Unit ASTM Status	Total Weight (lbs)	Pre-Consumer Recycled Content (lbs)	Post-Consumer Content (lbs)	CO2e Footprint (kgs)	Users	Install Hours	Concrete (Yds3)	Active Play Events
----------	----------	------	-------------	------------------	--------------------	-------------------------------------	-----------------------------	----------------------	-------	---------------	-----------------	--------------------

ASTM F1487-07

The lay-out for this custom playscape, design number PSD-1101A-FTD, has been configured to meet the requirements of the ASTM F1487-07 standard. In addition, each of the above components listed as "Certified" have been tested and are IPEMA certified. Components listed as "Not Applicable" do not fall within the scope of the ASTM F1487-07 standard and have not been tested. IPEMA certification can be verified on the IPEMA website, www.ipema.org. In the interest of playground safety, IPEMA provides a Third Party Certification Service which validates compliance.

Americans with Disabilities Act Accessibility Guidelines (ADAAG)

The lay-out was also designed to meet the ADAAG published 23-July-2004, by the United States Access Board who installed over a properly maintained surfacing material that is in compliance with ASTM F1951 "Accessibility of Surface Systems Under and Around Playground Equipment" as well as ASTM F1292, "Impact Attenuation of Surfacing Materials Within the Use Zone of Playground Equipment", appropriate for the fall height of the structure.

Installation Times

Installation times are based on one experienced installer. A crew of three experienced individuals can perform the installation within the given time, each member working 1/3 of the given hours. [Eg. Installation Time = 30 hours. For a crew of three, each member will work 10 hours on the installation for a total of 30 hours on the project.]

Carbon Footprint

The CO2e (carbon footprint given in Kilograms and Metric Tons) listed above is a measure of the environmental impact this play structure represents from harvesting raw materials to the time it leaves our shipping dock. Playworld Systems nurtures a total corporate culture that is focused on eliminating carbon producing processes and products, reducing our use of precious raw materials, reusing materials whenever possible and recycling materials at every opportunity. Playworld Systems elected to adopt the Publicly Available Specification; PAS 2050 as published by the British Standards Institute and sponsored by Defra and the Carbon Trust. The PAS 2050 has gained international acceptance as a specification that measures the greenhouse gas emissions in services and goods throughout their entire life cycle.

Pre-Consumer Recycle Content

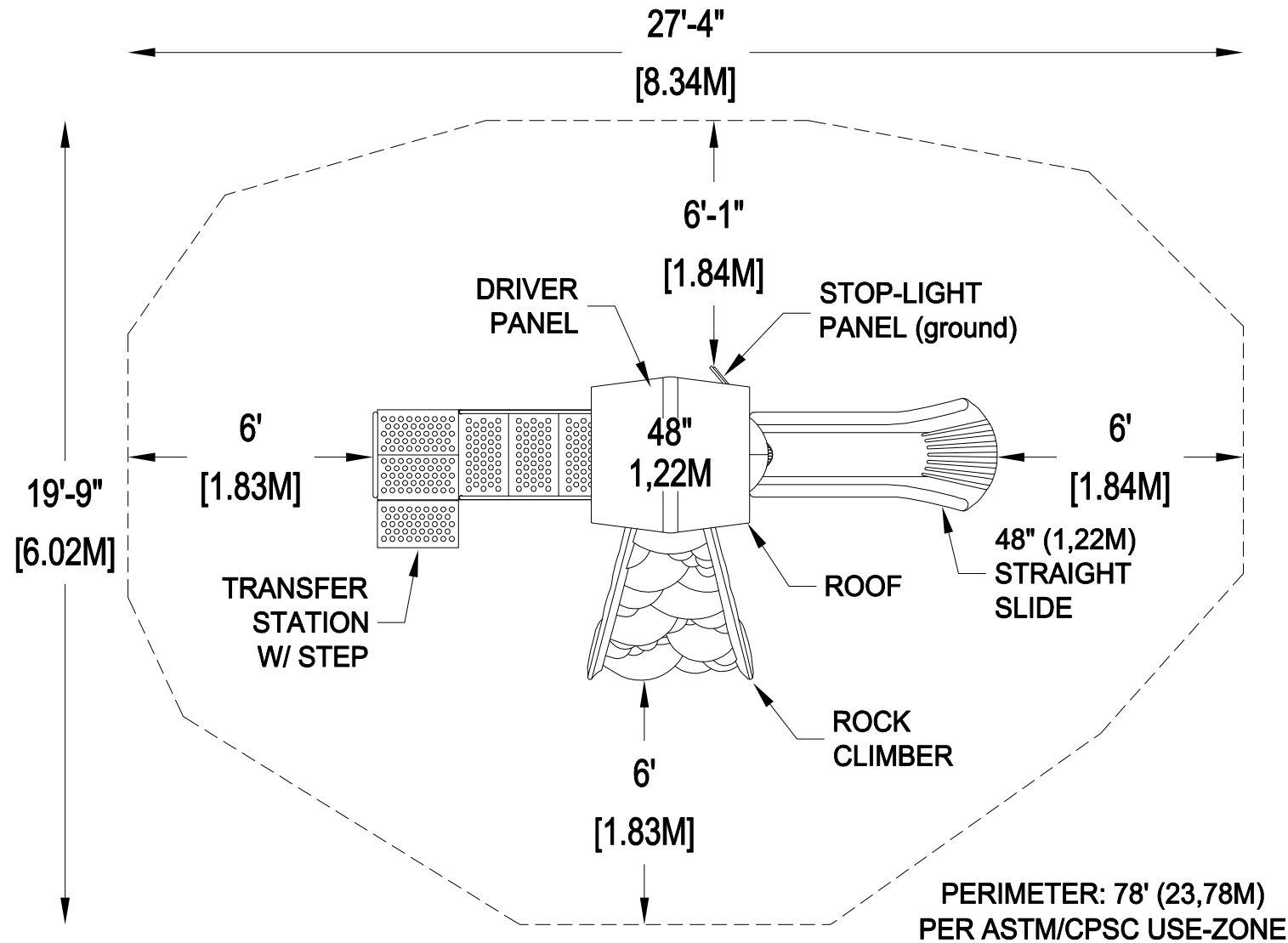
A measurement, in pounds, that qualifies the amount of material that was captured as waste and diverted from landfill during an initial manufacturing process and is being redirected to a separate manufacturing process to become a different product. E.g. 100% of our Aluminum Tubing is made from captured waste material during the manufacturing process of extruded Aluminum products such as rods, flat bars and H-channels.

Post-Consumer Recycle Content

A measurement, in pounds, that qualifies the amount of material that was once another product that has completed its lifecycle and has been diverted from a landfill as a solid waste through recycling and is now being used in a Playworld Systems' product. E.g. **20% to 40% of the steel in our steel tubing and sheet steel have been diverted from landfills. Automobiles are scrapped and recyclable steel is purchased by the steel mill that produces our raw product.

** The amount of Post-Consumer recycled steel fluctuates daily based on the availability of the recycled steel.





*Playground Supervision Required

Playworld Systems, Inc.
1000 Buffalo Road
Lewisburg, PA
17837-9795 USA

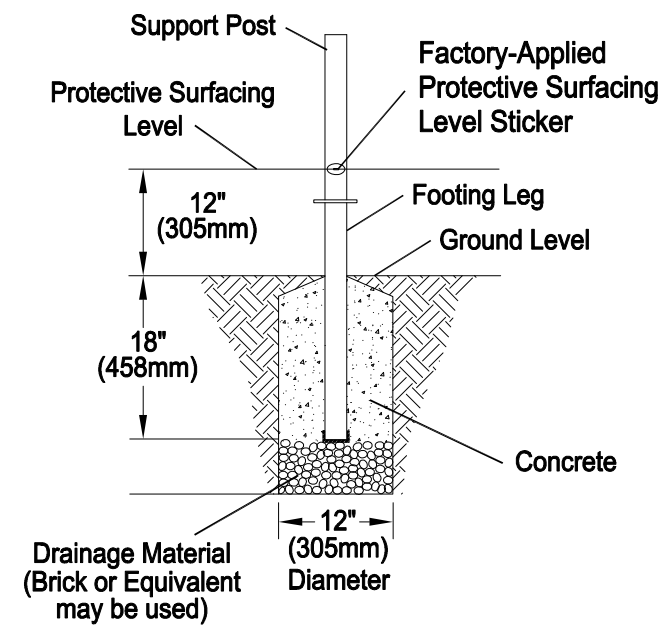
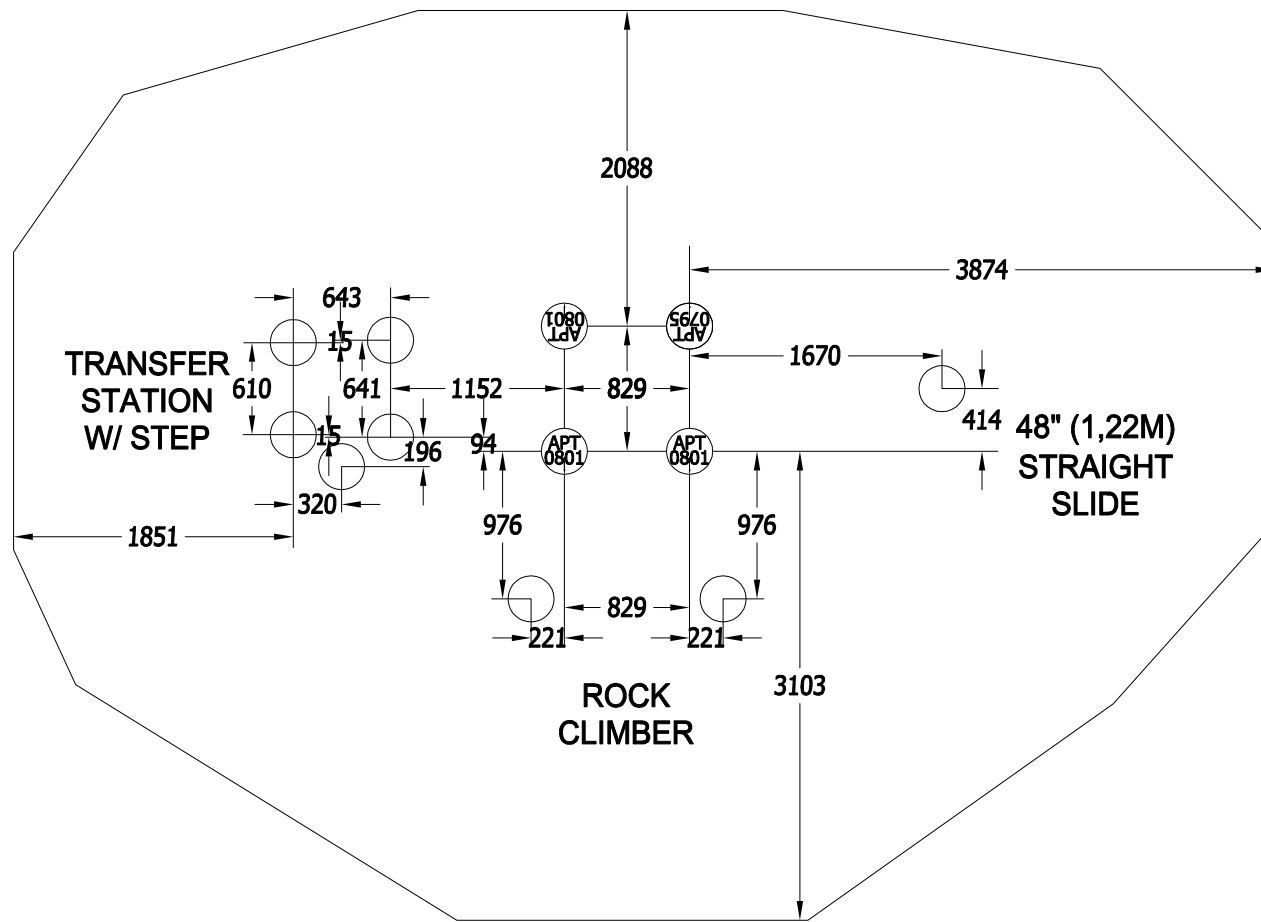
PLAYWORLD™

© 2007 Playworld Systems, Inc.
Playworld® is a brand of Playworld Systems, Inc.

PROJECT NO: PSD-1101-FTD	REV: A	DATE: 2-DEC-11
SYSTEM: PLAY SIMPLE		SCALE: 1/4" = 1'-0"
SITE PLAN		DRAWN BY: CHIP ZECHMAN

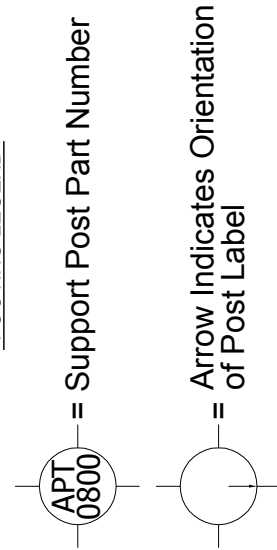
PSD-1101-FTD

PLAY SIMPLE DESIGN



In-Ground Footing Detail

FOOTING LEGEND



Playworld Systems, Inc.
 1000 Buffalo Road
 Lewisburg, PA
 17837-9795 USA



PROJECT NO: PSD-1101-FTD	REV: A	DATE: 2-DEC-11
SYSTEM: PLAY SIMPLE	SCALE: 1 : 50	DRAWN BY: CHIP ZECHMAN
FOOTING PLAN		

PSD-1101-FTD

PLAY SIMPLE DESIGN

*Playground Supervision Required

PSD-1101-FTD

PlaySimple Design



1000 Buffalo Road, Lewisburg, Pa 17837

phone 570.522.9800 - fax 570.522.3030 - 800.233.8404

www.playworldsystems.com

PSD-1101-FTD

PlaySimple Design



PLAYWORLD SYSTEMS™
The world needs play.®

1000 Buffalo Road, Lewisburg, Pa 17837
phone 570.522.9800 - fax 570.522.3030 - 800.233.8404
www.playworldsystems.com



Design Number: PSD-1101-FTD
PlaySimple® playscape layout per ASTM F1487-07 / CPSC #325 / CSA Z614-08

Weight:928 lbs (421 kg)	Age Group:2-5 Years
Length:15'4" (4,68 m)	Use Zone L:27'4" (8,35 m)
Width:7'9" (2,37 m)	Use Zone W:19'9" (6,02 m)
Height:11' (3,36 m)	Number of Users:10
Installation Time:10 Hours	Number of Play Events:4

Colors Shown:



PLAYWORLD SYSTEMS™
The world needs play.®

PVC-Free Pledge

PSD-1101-FTD

PlaySimple Design



1000 Buffalo Road, Lewisburg, Pa 17837

phone 570.522.9800 - fax 570.522.3030 - 800.233.8404

www.playworldsystems.com

PSD-1101-FTD

PlaySimple Design



PLAYWORLD SYSTEMS™
The world needs play.®

1000 Buffalo Road, Lewisburg, Pa 17837
phone 570.522.9800 - fax 570.522.3030 - 800.233.8404
www.playworldsystems.com



Design Number: PSD-1101-FTD
PlaySimple® playscape layout per ASTM F1487-07 / CPSC #325 / CSA Z614-08

Weight:928 lbs (421 kg)	Age Group:2-5 Years
Length:15'4" (4,68 m)	Use Zone L:27'4" (8,35 m)
Width:7'9" (2,37 m)	Use Zone W:19'9" (6,02 m)
Height:11' (3,36 m)	Number of Users:10
Installation Time:10 Hours	Number of Play Events:4

Colors Shown:



PLAYWORLD SYSTEMS™
The world needs play.®

PVC-Free Pledge