

PSD-1108-FTD

Design Number: PSD-1108-FTD - Bill Of Material

Ref. No.	Part No.	Description	Quantity
1	ZZEL0027	PLAY SIMPLE MODULE #6	1
2	ZZEL0029	PLAY SIMPLE MODULE #6 FOOTING KIT	1



PSD-1108-FTD

Design Number: PSD-1108-FTD - Compliance and Technical Data

Reference Document: CAN/CSA-Z614-07

Ref. No.	Part No.	Qty.	Description	Unit CSA Status	Total Weight (lbs)	Pre-Consumer Recycled Content (lbs)	Post-Consumer Content (lbs)	CO2e Footprint (kgs)	Users	Install Hours	Concrete (Yds3)	Active Play Events
1	ZZEL0027	1	PLAY SIMPLE MODULE #6	N/A	1,827.01			6,031	28	13.50	0.00	11
2	ZZEL0029	1	PLAY SIMPLE MODULE #6 FOOTING KIT	N/A	169.20			261	0	17.00	1.25	0
Totals:					1,996.21	290	442	6,292	28	30.50	1.25	11
					898.29 Kg	131 Kg	199 Kg	6 Metric Tons			0.95 m3	



PSD-1108-FTD

Design Number: PSD-1108-FTD - Compliance and Technical Data

Reference Document: CAN/CSA-Z614-07

Ref. No.	Part No.	Qty.	Description	Unit CSA Status	Total Weight (lbs)	Pre- Consumer Recycled Content (lbs)	Post- Consumer Content (lbs)	CO2e Footprint (kgs)	Users	Install Hours	Concrete (Yds3)	Active Play Events
----------	----------	------	-------------	-----------------------	--------------------------	---	---------------------------------------	----------------------------	-------	------------------	--------------------	--------------------------

CAN/CSA-Z614-07

The lay-out for this custom playscape, design number PSD-1108-FTD, has been configured to meet the requirements of the CAN/CSA-Z614-07 standard. In addition, each of the above components listed as "Certified" have been tested and are IPEMA certified. Components listed as "Not Applicable" do not fall within the scope of the CAN/CSA-Z614-07 standard and have not been tested. IPEMA certification can be verified on the IPEMA website, www.ipema.org. In the interest of playground safety, IPEMA provides a Third Party Certification Service which validates compliance.

Installation Times

Installation times are based on one experienced installer. A crew of three experienced individuals can perform the installation within the given time, each member working 1/3 of the given hours. [E.g. Installation Time = 30 hours. For a crew of three, each member will work 10 hours on the installation for a total of 30 hours on the project.]

Carbon Footprint

The CO2e (carbon footprint given in Kilograms and Metric Tons) listed above is a measure of the environmental impact this play structure represents from harvesting raw materials to the time it leaves our shipping dock. Playworld Systems nurtures a total corporate culture that is focused on eliminating carbon producing processes and products, reducing our use of precious raw materials, reusing materials whenever possible and recycling materials at every opportunity. Playworld Systems elected to adopt the Publicly Available Specification; PAS 2050 as published by the British Standards Institute and sponsored by Defra and the Carbon Trust. The PAS 2050 has gained international acceptance as a specification that measures the greenhouse gas emissions in services and goods throughout their entire life cycle.

Pre-Consumer Recycle Content

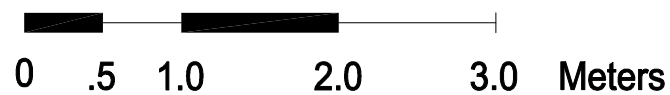
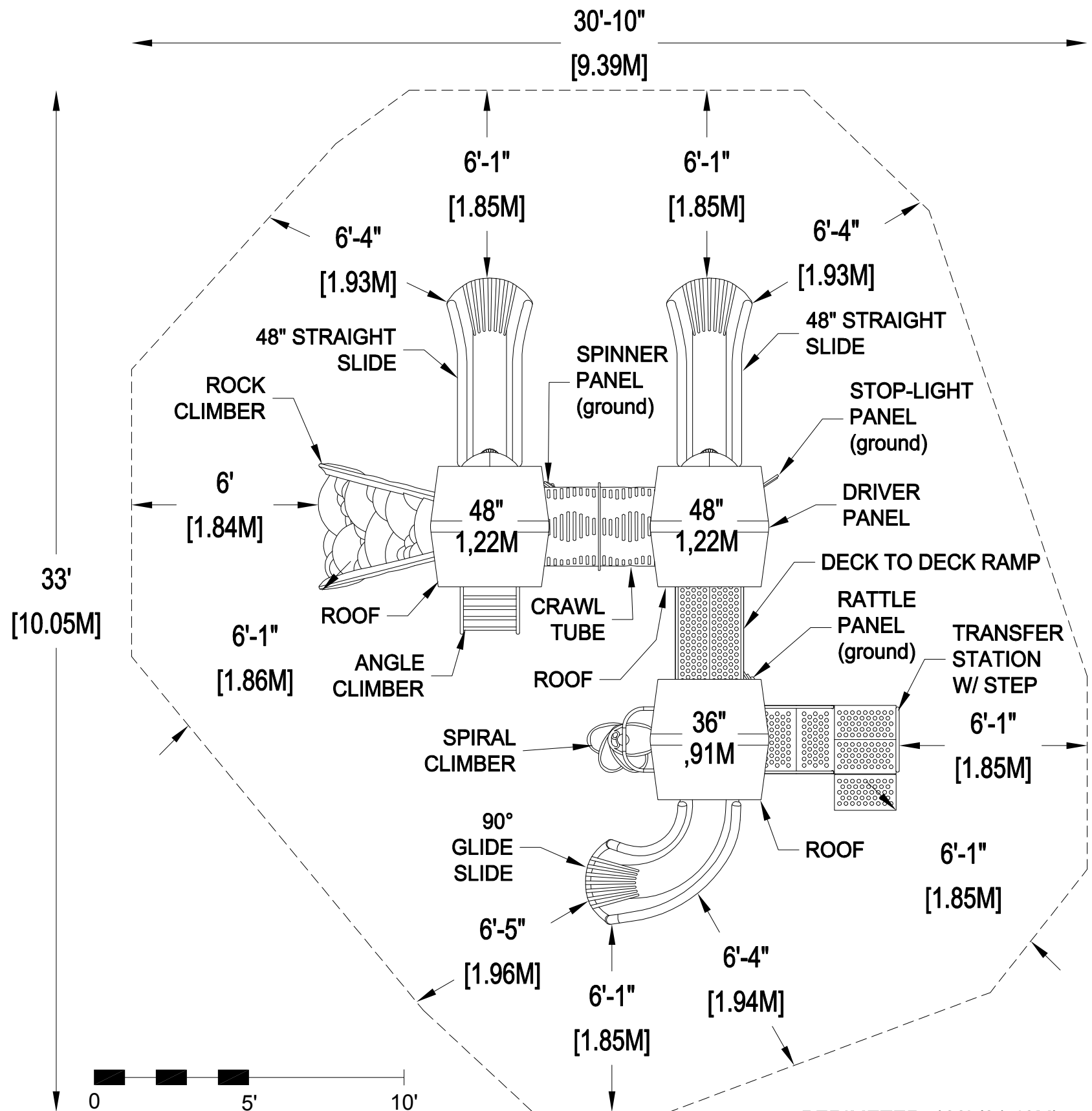
A measurement, in pounds, that qualifies the amount of material that was captured as waste and diverted from landfill during an initial manufacturing process and is being redirected to a separate manufacturing process to become a different product. E.g. 100% of our Aluminum Tubing is made from captured waste material during the manufacturing process of extruded Aluminum products such as rods, flat bars and H-channels.

Post-Consumer Recycle Content

A measurement, in pounds, that qualifies the amount of material that was once another product that has completed its lifecycle and has been diverted from a landfill as a solid waste through recycling and is now being used in a Playworld Systems' product. E.g. **20% to 40% of the steel in our steel tubing and sheet steel have been diverted from landfills. Automobiles are scrapped and recyclable steel is purchased by the steel mill that produces our raw product.

** The amount of Post-Consumer recycled steel fluctuates daily based on the availability of the recycled steel.





PERIMETER: 103' (31,40M)
PER ASTM/CPSC/CSA USE-ZONE

CSA Z614-08

28 USERS

2-5

18'10" X 20'11" X 11"
5,74M X 6,38M X 3,36M

30'10" X 33'
9,39M X 10,05M

784 SqFt
72,84 SqM

4 Ft
1,22M

Playworld Systems, Inc.
1000 Buffalo Road
Lewisburg, PA
17837-9795 USA

PLAYWORLDTM

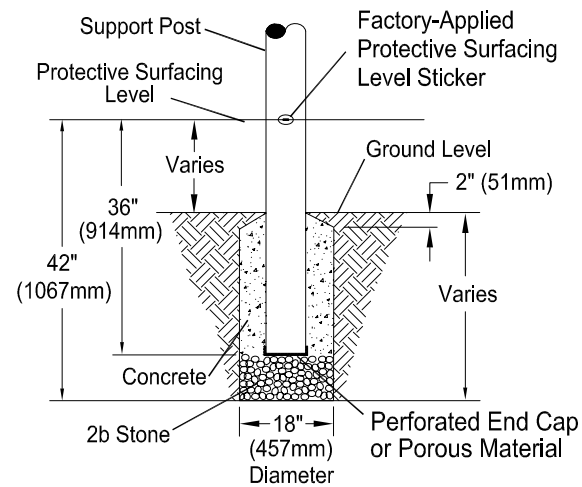
© 2007 Playworld Systems, Inc.
Playworld® is a brand of Playworld Systems, Inc.

PROJECT NO: PSD-1108-FTD	DATE: 24-JAN-12	DRAWN BY: CHIP ZECHMAN
SYSTEM: PLAYSIMPLE	SCALE: 1/4" = 1'-0"	
SITE PLAN		

PSD-1108-FTD

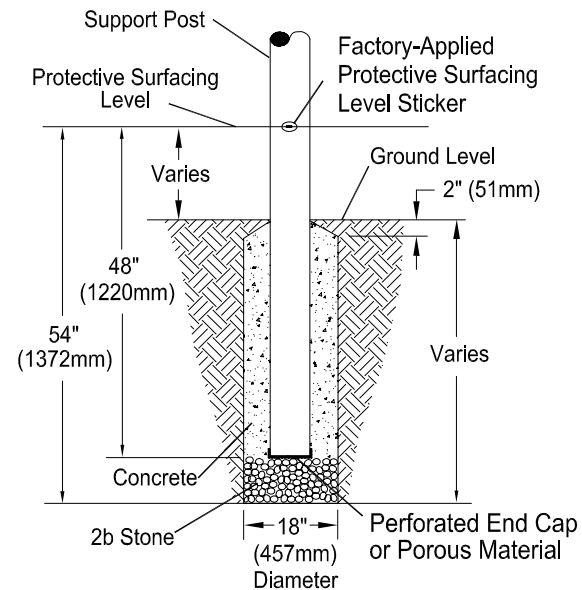
PLAYSIMPLE DESIGN

*Playground Supervision Required



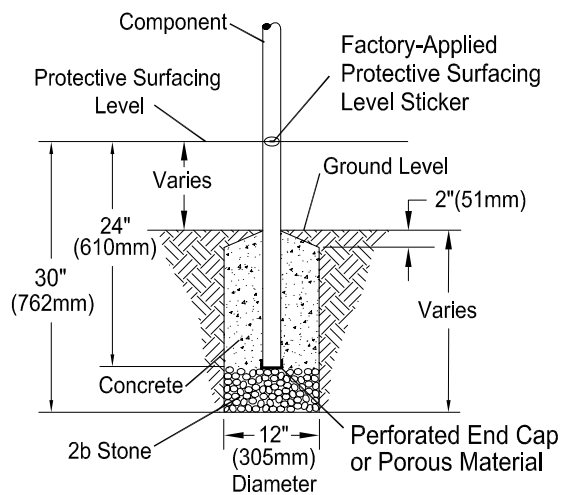
DETAIL 1

Support Post, Spiral Slide and RockBlocks Post Footing Detail



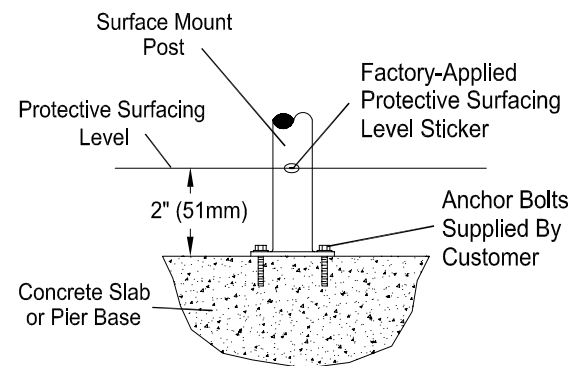
DETAIL 2

GroundZero, Cantilever and "T" Post Footing Detail



DETAIL 3

Component Footing Detail



DETAIL 4

Surface Mount Detail

INSTALLATION NOTES:

- 1) Paved surfaces, such as asphalt and concrete, are not acceptable for use under your structure.
- 2) It is the consumer's responsibility to check with local utilities prior to excavating footings for any underground utility lines that may exist within the installation area.
- 3) It is the consumer's responsibility to check local soil conditions and drainage within the site area. Inquire with local contractors for appropriate recommendations.
- 4) If the structure is to be installed across uneven terrain, maintain the support post mark for protective surfacing level at the lowest grade. Adjust other footings accordingly.
- 5) The base of footings must be below frost lines. Place all posts directly on packed stone.
- 6) Do not encase the bottom of support posts in concrete.
- 7) Assemble the entire structure before pouring concrete unless specifically instructed to do so in the individual component installation instructions.
- 8) Read completely the installation instructions provided with your structure prior to beginning construction.

SITE NOTES:

- 1) The site plan provided must be checked against the actual site area to ensure that placement of your structure meets required clearances.
- 2) The dimensions labeled are for location of footing holes, not exact placement of equipment. Assemble, plumb, and level equipment before pouring concrete.
- 3) There must be a minimum distance of 6' (1830mm) between any obstacle, sidewalk, etc., and your structure.
- 4) Slides must have a use zone that extends out from the lower exit section of the slide a distance that is at least 6' (1830mm) or equal to the vertical distance from the highest point of the sliding surface to the top of the protective surfacing, whichever is greater. The slide use zone should not extend greater than 8' (2438mm) from the end of the lower exit section.
- 5) The complete area, including the space under and around the equipment, must be covered with an impact attenuating material. See the 1997 publication, "Handbook for Public Playground Safety", published by the U.S. Consumer Product Safety Commission, for guidelines and recommendations on the type and depth of surfacing material. For a copy of the "Handbook for Public Playground Safety", write to: **U.S. Consumer Product Safety Commission, Office of Information and Public Affairs, Washington, D.C. 20207**
- 6) Supervise children as they play.

FOOTING LEGEND

- = COMPONENT FOOTING (DETAIL 3)
- = SPIRAL SLIDE CENTER POST FOOTING (DETAIL 1)
- = SUPPORT POST FOOTING (DETAIL 1 or 4) (112" (2845mm) INDICATES POST LENGTH)
- = CANTILEVER, "T", POST, AND COMPONENT POST FOOTING (DETAIL 2) (ZCZCH1680 INDICATES PART NUMBER)
- = GROUND ZERO POST FOOTING (DETAIL 2) (144" (3658mm) INDICATES POST LENGTH)

Playworld Systems, Inc.
1000 Buffalo Road
Lewisburg, PA
17837-9795 USA

PLAYWORLD™

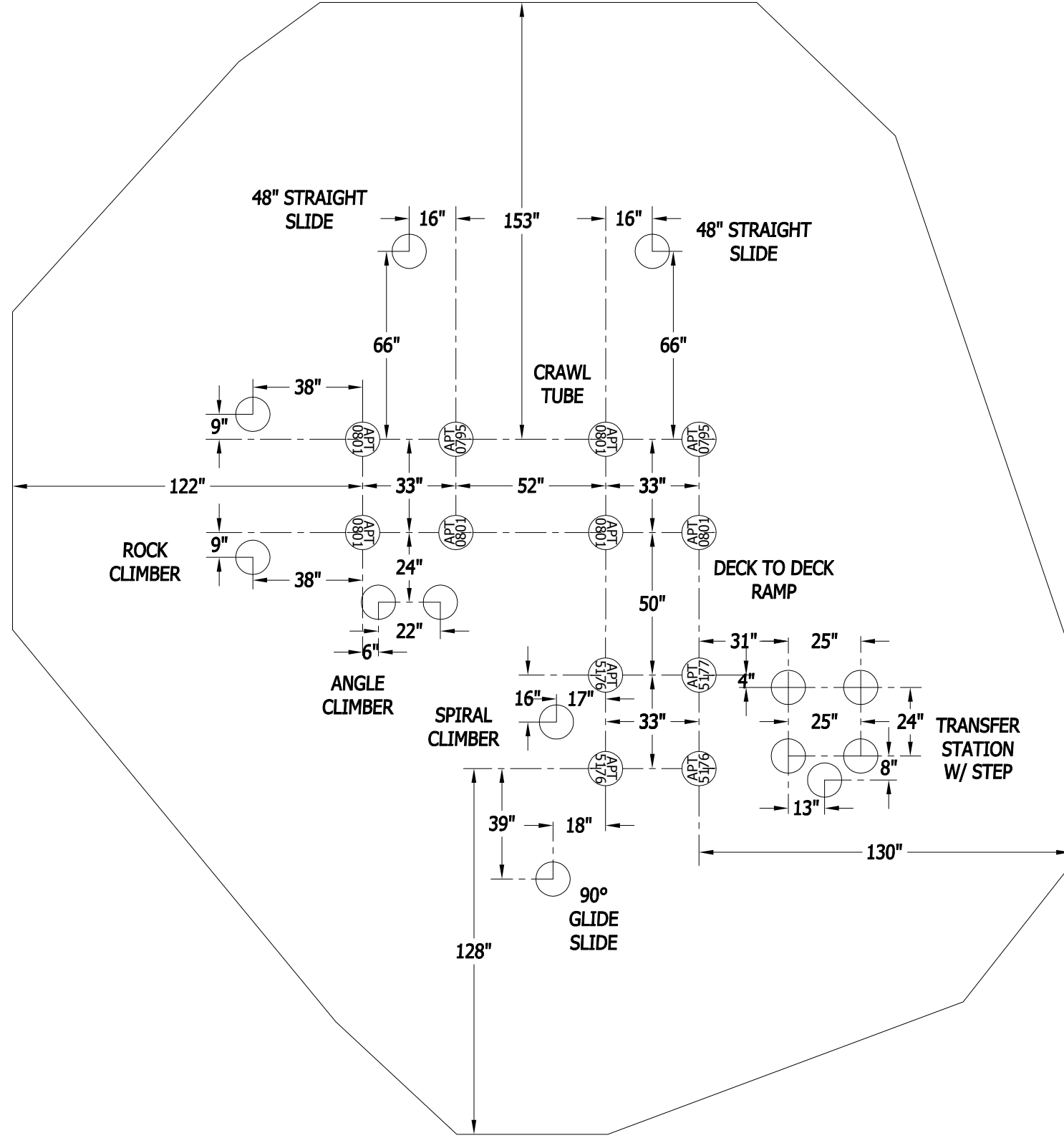
© 2007 Playworld Systems, Inc.
Playworld™ is a brand of Playworld Systems®, Inc.

PROJECT NO: -----	REV: --	DATE: 05-OCT-07	SCALE: NOT TO SCALE	DRAWN BY: TECH SALES
FOOTING DETAIL				

POST FOOTING DETAILS

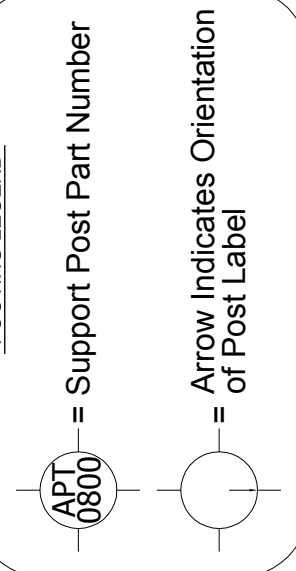
PLAYMAKERS / CHALLENGERS

*Playground Supervision Required



*Playground Supervision Required

FOOTING LEGEND



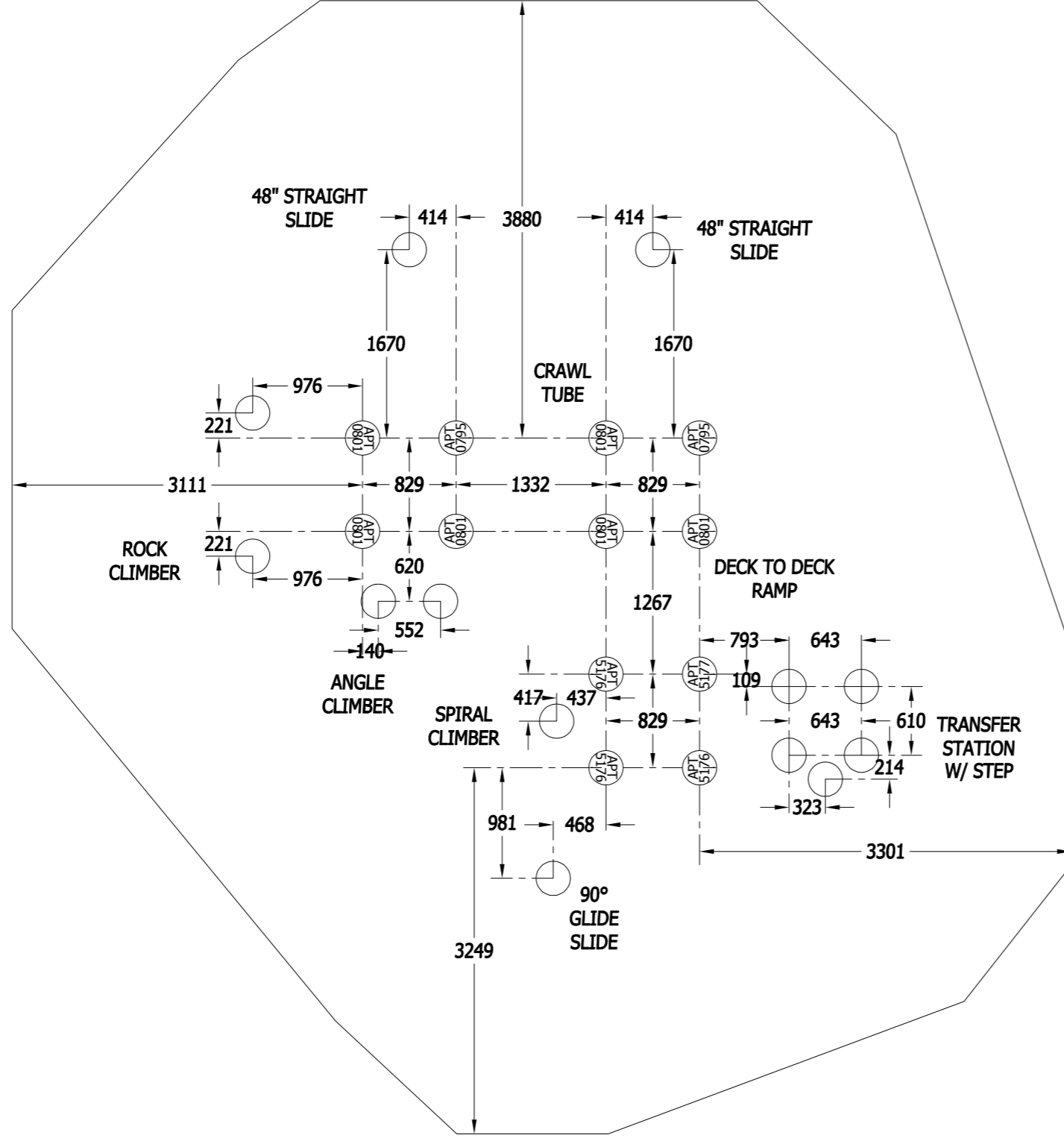
Playworld Systems, Inc.
 1000 Buffalo Road
 Lewisburg, PA
 17837-9795 USA



PROJECT NO: PSD-1108-FTD	REV: -	DATE: 24-JAN-12
SYSTEM: PLAYSIMPLE	SCALE: 1/4" = 1'-0"	
FOOTING PLAN		DRAWN BY: CHIP ZECHMAN

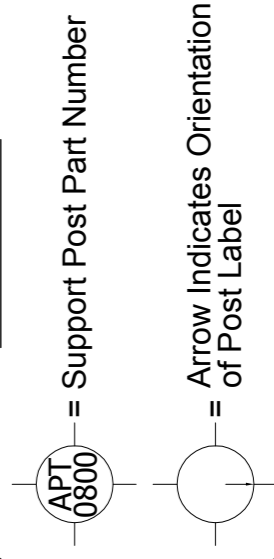
PSD-1108-FTD

PLAYSIMPLE DESIGN



*Playground Supervision Required

FOOTING LEGEND



Playworld Systems, Inc.
 1000 Buffalo Road
 Lewisburg, PA
 17837-9795 USA



© 2007 Playworld Systems, Inc.
 Playworld® is a brand of Playworld Systems, Inc.

PROJECT NO: PSD-1108-FTD	REV: -	DATE: 24-JAN-12
SYSTEM: PLAYSIMPLE	SCALE: 1 : 50	
FOOTING PLAN	DRAWN BY: CHIP ZECHMAN	

PSD-1108-FTD

PLAYSIMPLE DESIGN

PSD-1108-FTD

PlaySimple Design



1000 Buffalo Road, Lewisburg, Pa 17837

phone 570.522.9800 - fax 570.522.3030 - 800.233.8404

www.playworldsystems.com

PSD-1108-FTD

PlaySimple Design



PLAYWORLD SYSTEMS®
The world needs play.™

1000 Buffalo Road, Lewisburg, Pa 17837
phone 570.522.9800 - fax 570.522.3030 - 800.233.8404
www.playworldsystems.com



Design Number: PSD-1108-FTD
PlaySimple® playscape layout per ASTM F1487-07 / CPSC #325 / CSA Z614-08

Weight:1997 lbs (906 kg)	Age Group:2-5 Years
Length:18'10" (5,74 m)	Use Zone L:30'10" (9,39 m)
Width:20'11" (6,38 m)	Use Zone W:33' (10,05 m)
Height:11' (3,36 m)	Number of Users:28
Installation Time:14 Hours	Number of Play Events:11

Colors Shown:



PLAYWORLD SYSTEMS®
The world needs play.™

PVC-Free Pledge

PSD-1108-FTD

PlaySimple Design



The world needs play.®

1000 Buffalo Road, Lewisburg, Pa 17837

phone 570.522.9800 - fax 570.522.3030 - 800.233.8404

www.playworldsystems.com

PSD-1108-FTD

PlaySimple Design



PLAYWORLD SYSTEMS®
The world needs play.™

1000 Buffalo Road, Lewisburg, Pa 17837
phone 570.522.9800 - fax 570.522.3030 - 800.233.8404
www.playworldsystems.com



Design Number: PSD-1108-FTD
PlaySimple® playscape layout per ASTM F1487-07 / CPSC #325 / CSA Z614-08

Weight:1997 lbs (906 kg)	Age Group:2-5 Years
Length:18'10" (5,74 m)	Use Zone L:30'10" (9,39 m)
Width:20'11" (6,38 m)	Use Zone W:33' (10,05 m)
Height:11' (3,36 m)	Number of Users:28
Installation Time:14 Hours	Number of Play Events:11

Colors Shown:

