

LAWS-7000R-SM

Design Number: LAWS-7000R-SM - Bill Of Material

Ref. No.	Part No.	Description	Quantity
LifeTrail Frame			
1	ZZLT0045S	LIFETRAIL FRAME W/ ROOF (SURF MOUNT)	7
LifeTrail Activity			
2	ZZLT0046	LIFETRAIL UPPER BODY CYCLING EXERCISES	1
3	ZZLT0047S	LIFETRAIL LOWER BODY CYCLING EXERCISES (SURFACE MOUNT)	1
4	ZZLT0048	LIFETRAIL SHOULDER STABILITY & STRENGTH EXERCISES	1
5	ZZLT0049S	LIFETRAIL INVERTED ROW EXERCISES (SURFACE MOUNT)	1
6	ZZLT0050S	LIFETRAIL PUSH-UP EXERCISES (SURFACE MOUNT)	1
7	ZZLT0051S	LIFETRAIL WOBBLE BOARD EXERCISES (SURFACE MOUNT)	1
8	ZZLT0052	LIFETRAIL SQUAT EXERCISES	1
9	ZZLT0053S	LIFETRAIL WEIGHTED SQUAT EXERCISES (SURFACE MOUNT)	1
10	ZZLT0054S	LIFETRAIL PNF EXERCISES (SURFACE MOUNT)	1
11	ZZLT0055S	LIFETRAIL STAIR EXERCISES (SURFACE MOUNT)	1
12	ZZLT0056S	LIFETRAIL TRICEPS STRENGTH & TORSO STABILITY EXERCISES (sm)	1
13	ZZLT0057S	LIFETRAIL HIP LIFT & THIGH SQUEEZE EXERCISES (SM)	1
14	ZZLT0058S	LIFETRAIL OVERHEAD PRESS (REG & ADA) (SURFACE MOUNT)	2
15	ZZLT0063	LIFETRAIL STANDING STRETCHES & YOGA POSES	1
LifeTrail Informational Activity			
16	ZZLT0066	LIFETRAIL WELCOME SIGN	1
LifeTrail WheelChair Activity			
17	ZZLT0059	LIFETRAIL UPPER BODY CYCLING (ADA)	1
18	ZZLT0060	LIFETRAIL SHOULDER STABILTY & STRENGTH EXERCISES ADA	1
19	ZZLT0061S	LIFETRAIL PNF EXERCISES (ADA) 9SURFACE MOUNT)	1
20	ZZLT0062S	LIFETRAIL TRICEPS STRENGTH & TORSO STABILITY EX ADA (SM)	1
21	ZZLT0064	LIFETRAIL STRETCHES (ADA)	1
LifeTrail Kits			
22	ZZLT0068	LIFETRAIL TOOL AND ADDITIONAL PARTS KIT W/AEROSOL	1
23	ZZLTGUID	LIFETRAIL GUIDELINES	1
24	ZZUN9966	LIFETRAIL MAINTENANCE KIT w/ AEROSOL	1



LAWS-7000R-SM

Design Number: LAWS-7000R-SM - Compliance and Technical Data

Reference Document: ASTM F1487-07

Ref. No.	Part No.	Qty.	Description	Unit ASTM Status	Total Weight (lbs)	Pre-Consumer Recycled Content (lbs)	Post-Consumer Content (lbs)	CO2e Footprint (kgs)	Users	Install Hours	Concrete (Yds3)	Active Play Events
1	ZZLT0045S	7	LIFETRAIL FRAME W/ ROOF (SURF MOUNT)	N/A	1,424.50			5,030	0	7.00	0.00	0
2	ZZLT0046	1	LIFETRAIL UPPER BODY CYCLING EXERCISES	N/A	75.72			1,347	1	1.00	0.00	1
3	ZZLT0047S	1	LIFETRAIL LOWER BODY CYCLING EXERCISES (SURFACE MOUNT)	N/A	135.45			1,488	1	1.00	0.00	1
4	ZZLT0048	1	LIFETRAIL SHOULDER STABILITY & STRENGTH EXERCISES	N/A	38.97			305	1	0.50	0.00	1
5	ZZLT0049S	1	LIFETRAIL INVERTED ROW EXERCISES (SURFACE MOUNT)	N/A	157.76			595	0	1.00	0.00	0
6	ZZLT0050S	1	LIFETRAIL PUSH-UP EXERCISES (SURFACE MOUNT)	N/A	43.32			321	1	0.50	0.00	1
7	ZZLT0051S	1	LIFETRAIL WOBBLE BOARD EXERCISES (SURFACE MOUNT)	N/A	79.06			520	1	0.50	0.00	1
8	ZZLT0052	1	LIFETRAIL SQUAT EXERCISES	N/A	40.62			304	1	0.50	0.00	1
9	ZZLT0053S	1	LIFETRAIL WEIGHTED SQUAT EXERCISES (SURFACE MOUNT)	N/A	175.60			707	1	1.50	0.00	1
10	ZZLT0054S	1	LIFETRAIL PNF EXERCISES (SURFACE MOUNT)	N/A	101.16			585	0	0.50	0.00	0
11	ZZLT0055S	1	LIFETRAIL STAIR EXERCISES (SURFACE MOUNT)	N/A	252.21			1,111	1	1.50	0.00	1
12	ZZLT0056S	1	LIFETRAIL TRICEPS STRENGTH & TORSO STABILITY EXERCISES (sm)	N/A	49.07			381	1	0.50	0.00	1
13	ZZLT0057S	1	LIFETRAIL HIP LIFT & THIGH SQUEEZE EXERCISES (SM)	N/A	132.90			612	0	1.00	0.00	0
14	ZZLT0058S	2	LIFETRAIL OVERHEAD PRESS (REG & ADA) (SURFACE MOUNT)	N/A	432.80			1,512	2	3.00	0.00	2
15	ZZLT0063	1	LIFETRAIL STANDING STRETCHES & YOGA POSES	N/A	40.62			304	1	0.50	0.00	1
16	ZZLT0066	1	LIFETRAIL WELCOME SIGN	N/A	21.07			279	0	0.50	0.00	0
17	ZZLT0059	1	LIFETRAIL UPPER BODY CYCLING (ADA)	N/A	75.72			1,357	1	1.00	0.00	1



LAWS-7000R-SM

Design Number: LAWS-7000R-SM - Compliance and Technical Data

Reference Document: ASTM F1487-07

Ref. No.	Part No.	Qty.	Description	Unit ASTM Status	Total Weight (lbs)	Pre-Consumer Recycled (lbs)	Post-Consumer Content (lbs)	CO2e Footprint (kgs)	Users	Install Hours	Concrete (Yds3)	Active Play Events
18	ZZLT0060	1	LIFETRAIL SHOULDER STABILTY & STRENGTH EXERCISES ADA	N/A	38.97			305	1	0.50	0.00	1
19	ZZLT0061S	1	LIFETRAIL PNF EXERCISES (ADA) 9SURFACE MOUNT)	N/A	26.87			288	1	0.50	0.00	1
20	ZZLT0062S	1	LIFETRAIL TRICEPS STRENGTH & TORSO STABILITY EX ADA (SM)	N/A	26.81			327	1	0.50	0.00	1
21	ZZLT0064	1	LIFETRAIL STRETCHES (ADA)	N/A	21.07			279	1	0.50	0.00	1
22	ZZLT0068	1	LIFETRAIL TOOL AND ADDITIONAL PARTS KIT W/AEROSOL	N/A	2.03			143	0	0.00	0.00	0
23	ZZLTGUID	1	LIFETRAIL GUIDELINES	N/A	0.00			TBD	0	0.25	0.00	0
24	ZZUN9966	1	LIFETRAIL MAINTENANCE KIT w/ AEROSOL	N/A	11.72			186	0	0.25	0.00	0
Totals:					3,404.02	368	730	18,284	17	24.50	0.00	17
					1,531.81 Kg	166 Kg	329 Kg	18 Metric Tons			0.00 m3	



LAWS-7000R-SM

Design Number: LAWS-7000R-SM - Compliance and Technical Data

Reference Document: ASTM F1487-07

Ref. No.	Part No.	Qty.	Description	Unit ASTM Status	Total Weight (lbs)	Pre-Consumer Recycled Content (lbs)	Post-Consumer Content (lbs)	CO2e Footprint (kgs)	Users	Install Hours	Concrete (Yds3)	Active Play Events
----------	----------	------	-------------	------------------	--------------------	-------------------------------------	-----------------------------	----------------------	-------	---------------	-----------------	--------------------

ASTM F1487-07

The lay-out for this custom playscape, design number LAWS-7000R-SM, has been configured to meet the requirements of the ASTM F1487-07 standard. In addition, each of the above components listed as "Certified" have been tested and are IPEMA certified. Components listed as "Not Applicable" do not fall within the scope of the ASTM F1487-07 standard and have not been tested. IPEMA certification can be verified on the IPEMA website, www.ipema.org. In the interest of playground safety, IPEMA provides a Third Party Certification Service which validates compliance.

Americans with Disabilities Act Accessibility Guidelines (ADAAG)

The lay-out was also designed to meet the ADAAG published 23-July-2004, by the United States Access Board who installed over a properly maintained surfacing material that is in compliance with ASTM F1951 "Accessibility of Surface Systems Under and Around Playground Equipment" as well as ASTM F1292, "Impact Attenuation of Surfacing Materials Within the Use Zone of Playground Equipment", appropriate for the fall height of the structure.

Installation Times

Installation times are based on one experienced installer. A crew of three experienced individuals can perform the installation within the given time, each member working 1/3 of the given hours. [Eg. Installation Time = 30 hours. For a crew of three, each member will work 10 hours on the installation for a total of 30 hours on the project.]

Carbon Footprint

The CO2e (carbon footprint given in Kilograms and Metric Tons) listed above is a measure of the environmental impact this play structure represents from harvesting raw materials to the time it leaves our shipping dock. Playworld Systems nurtures a total corporate culture that is focused on eliminating carbon producing processes and products, reducing our use of precious raw materials, reusing materials whenever possible and recycling materials at every opportunity. Playworld Systems elected to adopt the Publicly Available Specification; PAS 2050 as published by the British Standards Institute and sponsored by Defra and the Carbon Trust. The PAS 2050 has gained international acceptance as a specification that measures the greenhouse gas emissions in services and goods throughout their entire life cycle.

Pre-Consumer Recycle Content

A measurement, in pounds, that qualifies the amount of material that was captured as waste and diverted from landfill during an initial manufacturing process and is being redirected to a separate manufacturing process to become a different product. E.g. 100% of our Aluminum Tubing is made from captured waste material during the manufacturing process of extruded Aluminum products such as rods, flat bars and H-channels.

Post-Consumer Recycle Content

A measurement, in pounds, that qualifies the amount of material that was once another product that has completed its lifecycle and has been diverted from a landfill as a solid waste through recycling and is now being used in a Playworld Systems' product. E.g. **20% to 40% of the steel in our steel tubing and sheet steel have been diverted from landfills. Automobiles are scrapped and recyclable steel is purchased by the steel mill that produces our raw product.

** The amount of Post-Consumer recycled steel fluctuates daily based on the availability of the recycled steel.



LAWS-7000R-SM

Design Number: LAWS-7000R-SM - Compliance and Technical Data

Reference Document: CAN/CSA-Z614-07

Ref. No.	Part No.	Qty.	Description	Unit CSA Status	Total Weight (lbs)	Pre-Consumer Recycled Content (lbs)	Post-Consumer Content (lbs)	CO2e Footprint (kgs)	Users	Install Hours	Concrete (Yds3)	Active Play Events
1	ZZLT0045S	7	LIFETRAIL FRAME W/ ROOF (SURF MOUNT)	N/A	1,424.50			5,030	0	7.00	0.00	0
2	ZZLT0046	1	LIFETRAIL UPPER BODY CYCLING EXERCISES	N/A	75.72			1,347	1	1.00	0.00	1
3	ZZLT0047S	1	LIFETRAIL LOWER BODY CYCLING EXERCISES (SURFACE MOUNT)	N/A	135.45			1,488	1	1.00	0.00	1
4	ZZLT0048	1	LIFETRAIL SHOULDER STABILITY & STRENGTH EXERCISES	N/A	38.97			305	1	0.50	0.00	1
5	ZZLT0049S	1	LIFETRAIL INVERTED ROW EXERCISES (SURFACE MOUNT)	N/A	157.76			595	0	1.00	0.00	0
6	ZZLT0050S	1	LIFETRAIL PUSH-UP EXERCISES (SURFACE MOUNT)	N/A	43.32			321	1	0.50	0.00	1
7	ZZLT0051S	1	LIFETRAIL WOBBLE BOARD EXERCISES (SURFACE MOUNT)	N/A	79.06			520	1	0.50	0.00	1
8	ZZLT0052	1	LIFETRAIL SQUAT EXERCISES	N/A	40.62			304	1	0.50	0.00	1
9	ZZLT0053S	1	LIFETRAIL WEIGHTED SQUAT EXERCISES (SURFACE MOUNT)	N/A	175.60			707	1	1.50	0.00	1
10	ZZLT0054S	1	LIFETRAIL PNF EXERCISES (SURFACE MOUNT)	N/A	101.16			585	0	0.50	0.00	0
11	ZZLT0055S	1	LIFETRAIL STAIR EXERCISES (SURFACE MOUNT)	N/A	252.21			1,111	1	1.50	0.00	1
12	ZZLT0056S	1	LIFETRAIL TRICEPS STRENGTH & TORSO STABILITY EXERCISES (sm)	N/A	49.07			381	1	0.50	0.00	1
13	ZZLT0057S	1	LIFETRAIL HIP LIFT & THIGH SQUEEZE EXERCISES (SM)	N/A	132.90			612	0	1.00	0.00	0
14	ZZLT0058S	2	LIFETRAIL OVERHEAD PRESS (REG & ADA) (SURFACE MOUNT)	N/A	432.80			1,512	2	3.00	0.00	2
15	ZZLT0063	1	LIFETRAIL STANDING STRETCHES & YOGA POSES	N/A	40.62			304	1	0.50	0.00	1
16	ZZLT0066	1	LIFETRAIL WELCOME SIGN	N/A	21.07			279	0	0.50	0.00	0
17	ZZLT0059	1	LIFETRAIL UPPER BODY CYCLING (ADA)	N/A	75.72			1,357	1	1.00	0.00	1



LAWS-7000R-SM

Design Number: LAWS-7000R-SM - Compliance and Technical Data

Reference Document: CAN/CSA-Z614-07

Ref. No.	Part No.	Qty.	Description	Unit CSA Status	Total Weight (lbs)	Pre-Consumer Recycled (lbs)	Post-Consumer Content (lbs)	CO2e Footprint (kgs)	Users	Install Hours	Concrete (Yds3)	Active Play Events
18	ZZLT0060	1	LIFETRAIL SHOULDER STABILTY & STRENGTH EXERCISES ADA	N/A	38.97			305	1	0.50	0.00	1
19	ZZLT0061S	1	LIFETRAIL PNF EXERCISES (ADA) 9SURFACE MOUNT)	N/A	26.87			288	1	0.50	0.00	1
20	ZZLT0062S	1	LIFETRAIL TRICEPS STRENGTH & TORSO STABILITY EX ADA (SM)	N/A	26.81			327	1	0.50	0.00	1
21	ZZLT0064	1	LIFETRAIL STRETCHES (ADA)	N/A	21.07			279	1	0.50	0.00	1
22	ZZLT0068	1	LIFETRAIL TOOL AND ADDITIONAL PARTS KIT W/AEROSOL	N/A	2.03			143	0	0.00	0.00	0
23	ZZLTGUID	1	LIFETRAIL GUIDELINES	N/A	0.00			TBD	0	0.25	0.00	0
24	ZZUN9966	1	LIFETRAIL MAINTENANCE KIT w/ AEROSOL	N/A	11.72			186	0	0.25	0.00	0
Totals:					3,404.02	368	730	18,284	17	24.50	0.00	17
					1,531.81 Kg	166 Kg	329 Kg	18 Metric Tons			0.00 m3	



LAWS-7000R-SM

Design Number: LAWS-7000R-SM - Compliance and Technical Data

Reference Document: CAN/CSA-Z614-07

Ref. No.	Part No.	Qty.	Description	Unit CSA Status	Total Weight (lbs)	Pre-Consumer Recycled Content (lbs)	Post-Consumer Content (lbs)	CO2e Footprint (kgs)	Users	Install Hours	Concrete (Yds3)	Active Play Events
----------	----------	------	-------------	-----------------	--------------------	-------------------------------------	-----------------------------	----------------------	-------	---------------	-----------------	--------------------

CAN/CSA-Z614-07

The lay-out for this custom playscape, design number LAWS-7000R-SM, has been configured to meet the requirements of the CAN/CSA-Z614-07 standard. In addition, each of the above components listed as "Certified" have been tested and are IPEMA certified. Components listed as "Not Applicable" do not fall within the scope of the CAN/CSA-Z614-07 standard and have not been tested. IPEMA certification can be verified on the IPEMA website, www.ipema.org. In the interest of playground safety, IPEMA provides a Third Party Certification Service which validates compliance.

Installation Times

Installation times are based on one experienced installer. A crew of three experienced individuals can perform the installation within the given time, each member working 1/3 of the given hours. [E.g. Installation Time = 30 hours. For a crew of three, each member will work 10 hours on the installation for a total of 30 hours on the project.]

Carbon Footprint

The CO2e (carbon footprint given in Kilograms and Metric Tons) listed above is a measure of the environmental impact this play structure represents from harvesting raw materials to the time it leaves our shipping dock. Playworld Systems nurtures a total corporate culture that is focused on eliminating carbon producing processes and products, reducing our use of precious raw materials, reusing materials whenever possible and recycling materials at every opportunity. Playworld Systems elected to adopt the Publicly Available Specification; PAS 2050 as published by the British Standards Institute and sponsored by Defra and the Carbon Trust. The PAS 2050 has gained international acceptance as a specification that measures the greenhouse gas emissions in services and goods throughout their entire life cycle.

Pre-Consumer Recycle Content

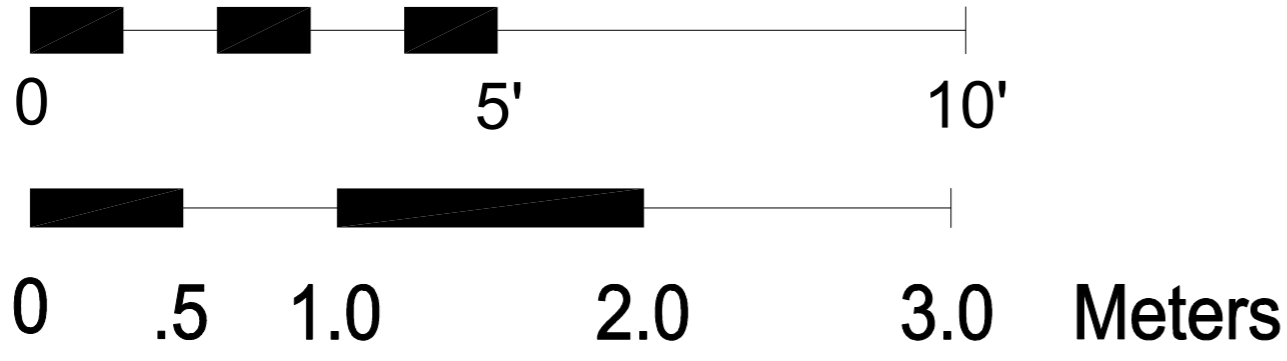
A measurement, in pounds, that qualifies the amount of material that was captured as waste and diverted from landfill during an initial manufacturing process and is being redirected to a separate manufacturing process to become a different product. E.g. 100% of our Aluminum Tubing is made from captured waste material during the manufacturing process of extruded Aluminum products such as rods, flat bars and H-channels.

Post-Consumer Recycle Content

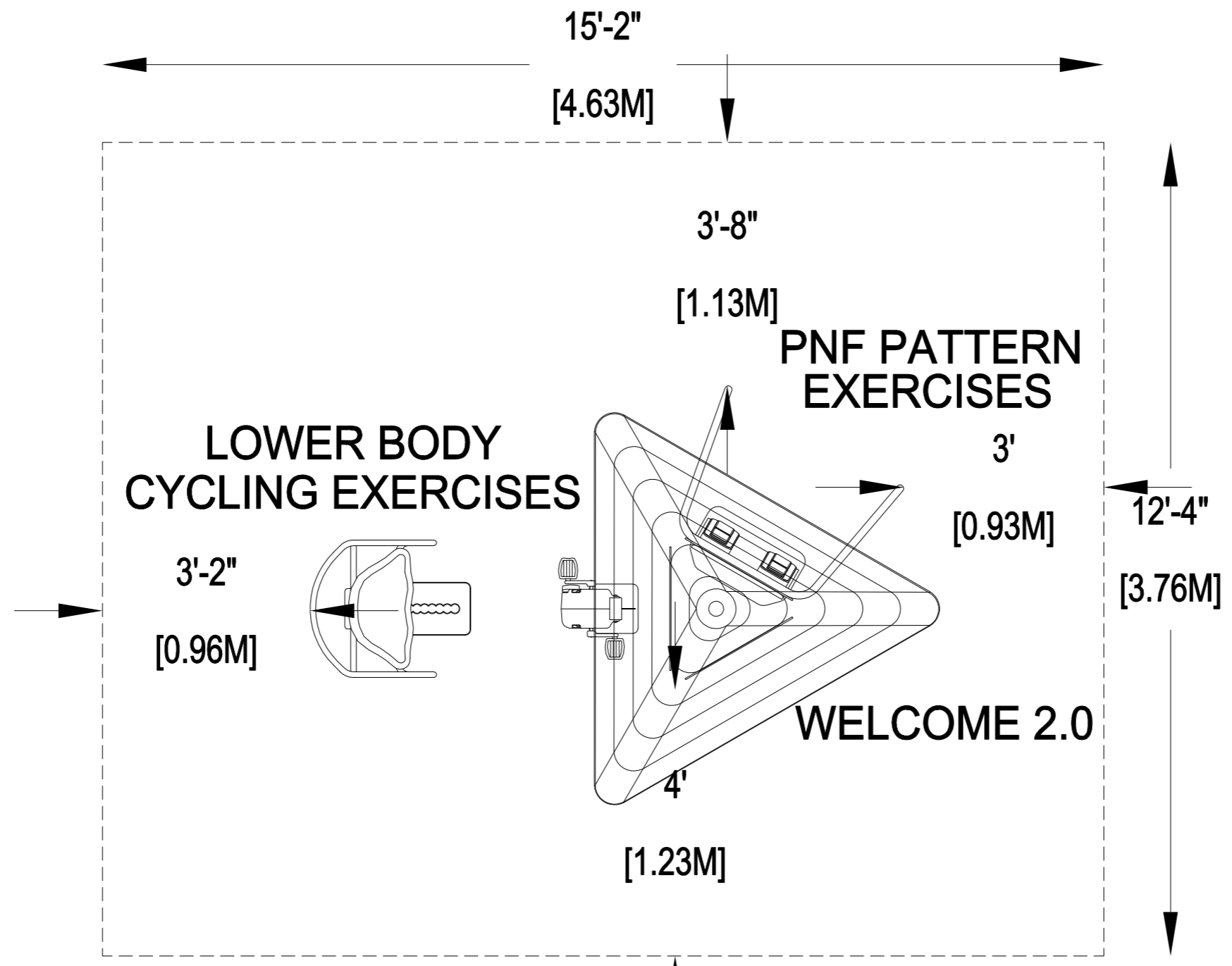
A measurement, in pounds, that qualifies the amount of material that was once another product that has completed its lifecycle and has been diverted from a landfill as a solid waste through recycling and is now being used in a Playworld Systems' product. E.g. **20% to 40% of the steel in our steel tubing and sheet steel have been diverted from landfills. Automobiles are scrapped and recyclable steel is purchased by the steel mill that produces our raw product.

** The amount of Post-Consumer recycled steel fluctuates daily based on the availability of the recycled steel.





*Playground Supervision Required



PLAYWORLDTM

© 2007 Playworld Systems, Inc.
Playworld™ is a brand of Playworld Systems, Inc.

PROJECT NO: LAWS-1R-SM	REV: -	DATE: 06-JAN-12
SYSTEM: LIFETRAIL	SCALE: NOT TO SCALE	
SITE PLAN	DRAWN BY: CHIP ZECHMAN	

Playworld Systems, Inc.
1000 Buffalo Road
Lewisburg, PA
17837-9795 USA

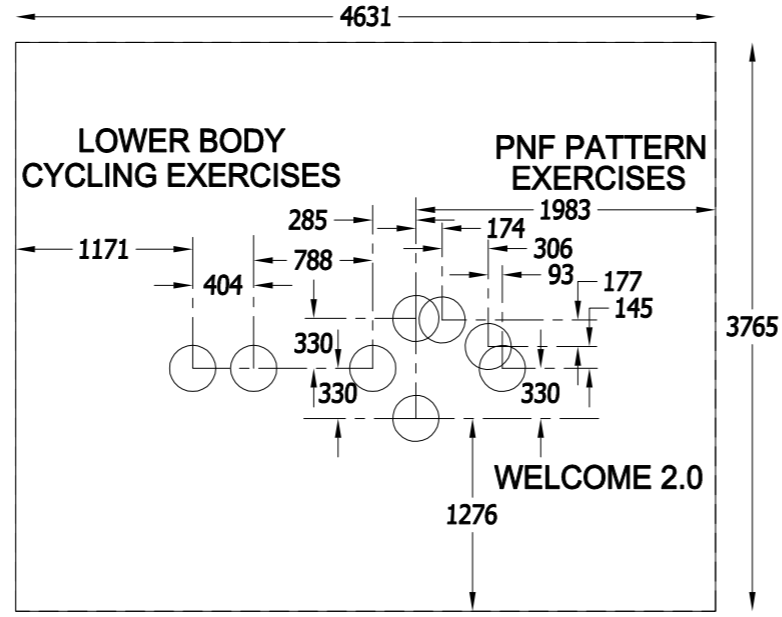
2 USERS
50+
9' x 47' x 72"
2,74M x 1,41M x 2,18M

152' x 124"
4,63M x 3,76M
187 Sq.Ft.
17,41 Sq.M
00 Fl.
00 M.

LAWS-1R-SM

LIFETRAIL ADVANCED WELLNESS SYSTEM

*Playground Supervision Required



PLAYWORLDTM

© 2007 Playworld Systems, Inc.
Playworld™ is a brand of Playworld Systems, Inc.

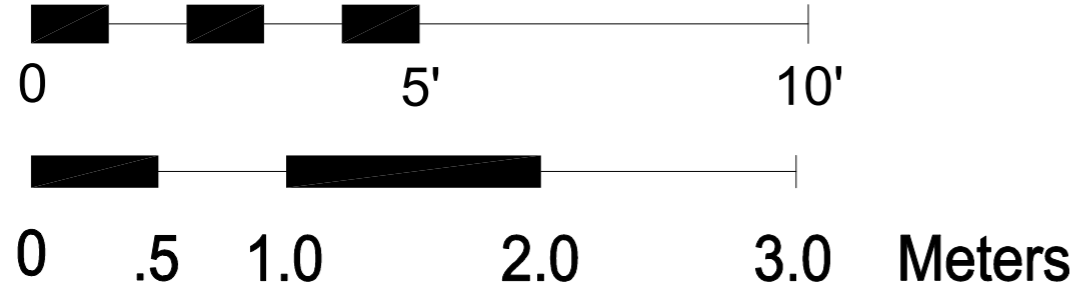
PROJECT NO: LAWS-1R-SM	REV: -	DATE: 06-JAN-12
SYSTEM: LIFETRAIL		SCALE: 1 : 50
FOOTING PLAN		DRAWN BY: CHIP ZECHMAN

Playworld Systems, Inc.
1000 Buffalo Road
Lewisburg, PA
17837-9795 USA

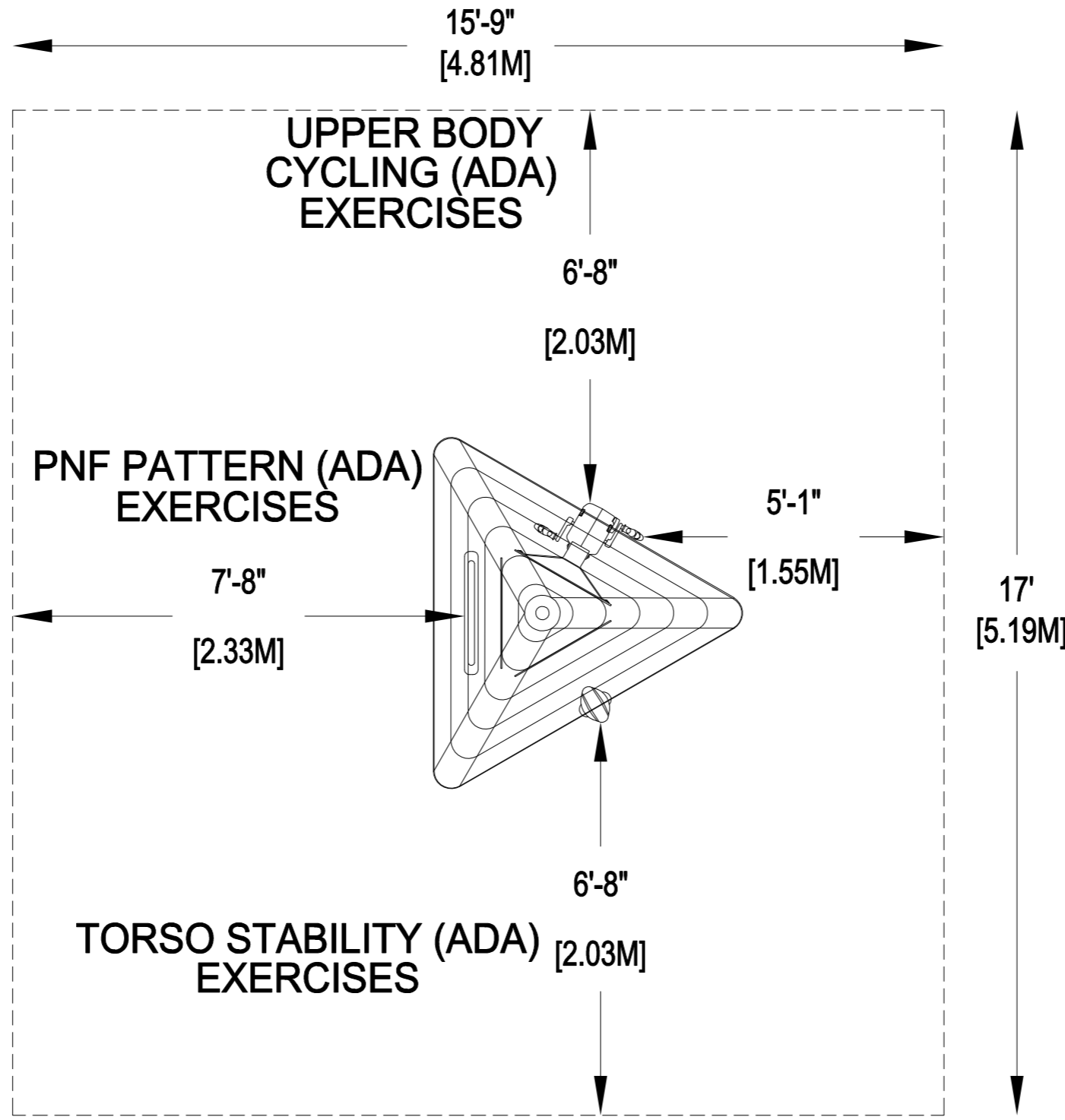
FOOTING LEGEND

- = COMPONENT FOOTING (DETAIL 3)
- = SPIRAL SLIDE CENTER POST FOOTING (DETAIL 1)
- = SUPPORT POST FOOTING (DETAIL 1 or 4)
(284.5mm INDICATES POST LENGTH)
- = CANTILEVER, "T" POST, AND COMPONENT POST FOOTING (DETAIL 2)
(ZZCH1850 INDICATES PART NUMBER)
- = GROUND ZERO POST FOOTING (DETAIL 2)
(3658mm INDICATES POST LENGTH)

LAWS-1R-SM
LIFETRAIL ADVANCED WELLNESS SYSTEM



*Playground Supervision Required



PLAYWORLDTM

© 2007 Playworld Systems, Inc.
Playworld™ is a brand of Playworld Systems, Inc.

PROJECT NO: LAWS-1R-ADA-SM	REV: -	DATE: 06-JAN-12
SYSTEM: LIFETRAIL	SCALE: NOT TO SCALE	
SITE PLAN	DRAWN BY: CHIP ZECHMAN	

Playworld Systems, Inc.
1000 Buffalo Road
Lewisburg, PA
17837-9795 USA

53" x 511" x 92"
1,60M x 1,81M x 2,80M

50+

268 Sq.Ft.
24,93 Sq.M

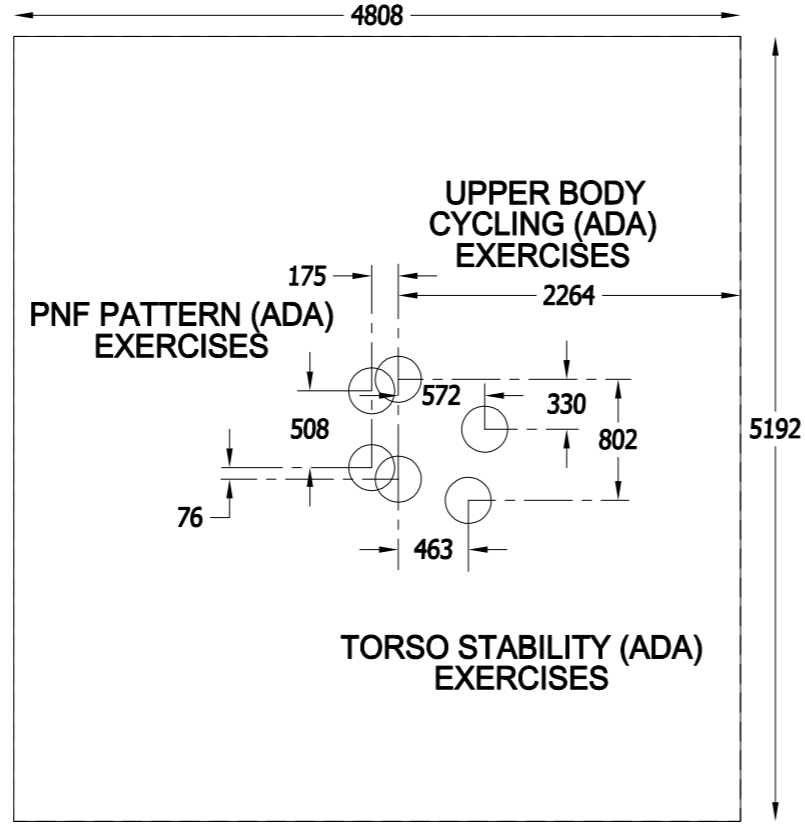
3 USERS

00 Ft.
00 M.

159" x 17"
4,81M x 5,19M

LAWS-1R-ADA-SM
LIFETRAIL ADVANCED WELLNESS SYSTEM

*Playground Supervision Required



PLAYWORLDTM

© 2007 Playworld Systems, Inc.
Playworld™ is a brand of Playworld Systems, Inc.

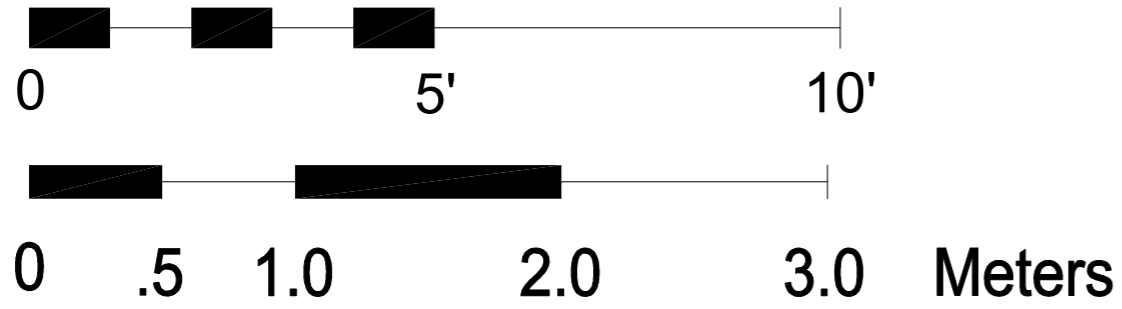
PROJECT NO: LAWS-1R-ADA-SM	REV: -	DATE: 06-JAN-12
SYSTEM: LIFETRAIL		SCALE: 1 : 50
FOOTING PLAN		DRAWN BY: CHIP ZECHMAN

Playworld Systems, Inc.
1000 Buffalo Road
Lewisburg, PA
17837-9795 USA

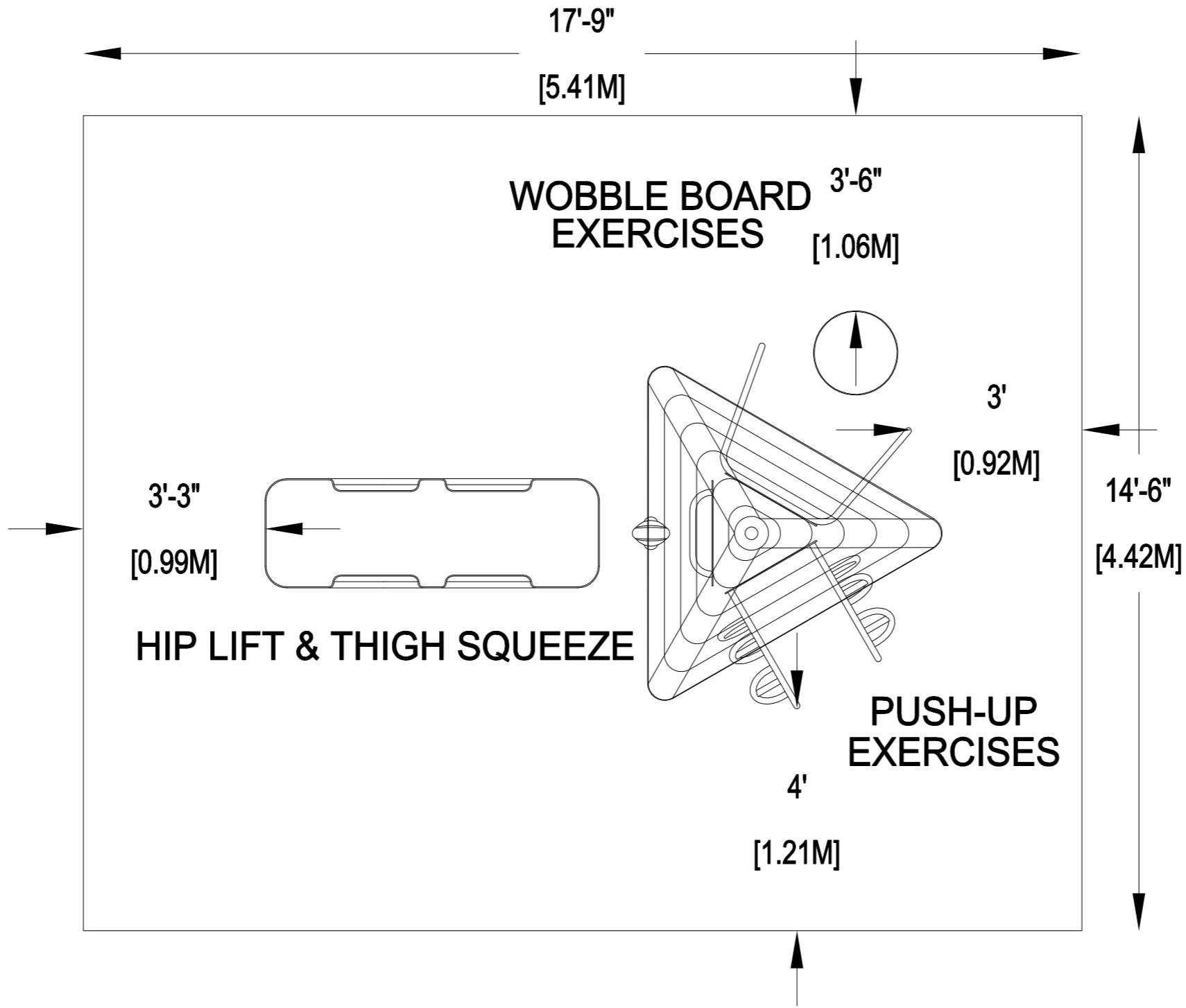
FOOTING LEGEND

- = COMPONENT FOOTING (DETAIL 3)
- = SPIRAL SLIDE CENTER POST FOOTING (DETAIL 1)
- = SUPPORT POST FOOTING (DETAIL 1 or 4)
(284.5mm INDICATES POST LENGTH)
- = CANTILEVER, "T" POST, AND COMPONENT POST FOOTING (DETAIL 2)
(ZZCH1850 INDICATES PART NUMBER)
- = GROUND ZERO POST FOOTING (DETAIL 2)
(3658mm INDICATES POST LENGTH)

LAWS-1R-ADA-SM
LIFETRAIL ADVANCED WELLNESS SYSTEM



*Playground Supervision Required



PLAYWORLDTM

© 2007 Playworld Systems, Inc.
Playworld™ is a brand of Playworld Systems, Inc.

PROJECT NO: LAWS-2R-SM	REV: -	DATE: 06-JAN-12
SYSTEM: LIFETRAIL	SCALE: NOT TO SCALE	
SITE PLAN	DRAWN BY: CHIP ZECHMAN	

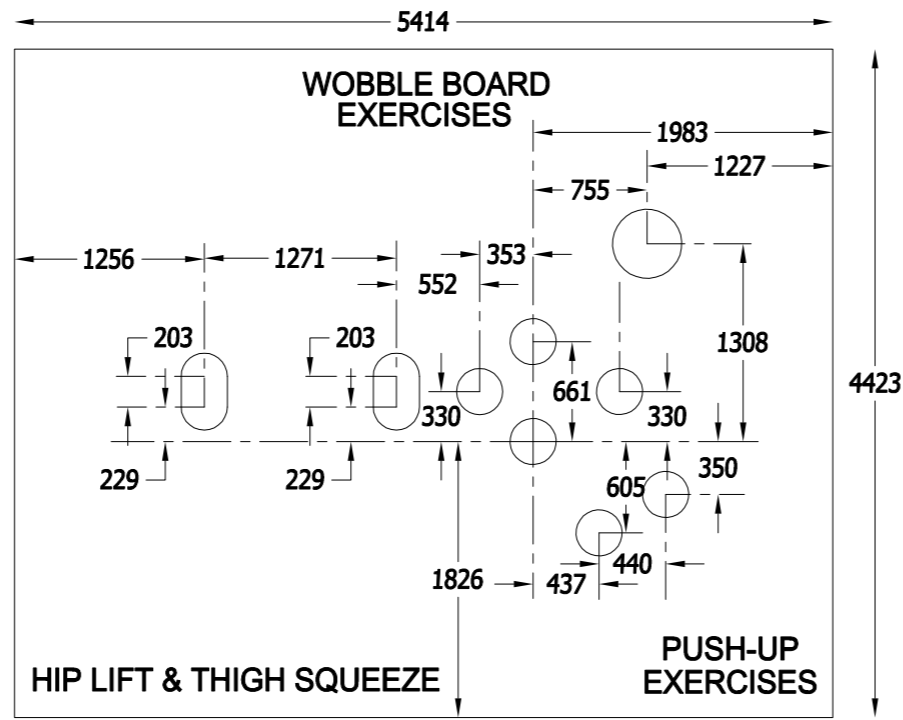
Playworld Systems, Inc.
1000 Buffalo Road
Lewisburg, PA
17837-9795 USA

3 USERS
50+
00 FL. 00 M.
257 Sq.Ft. 23,92 Sq.M.
12' x 6'6" x 9'2" 3,67M x 1,98M x 2,80M
17'9" x 14'6" 5,41M x 4,42M

LAWS-2R-SM

LIFETRAIL ADVANCED WELLNESS SYSTEM

*Playground Supervision Required



PLAYWORLDTM

© 2007 Playworld Systems, Inc.
Playworld™ is a brand of Playworld Systems, Inc.

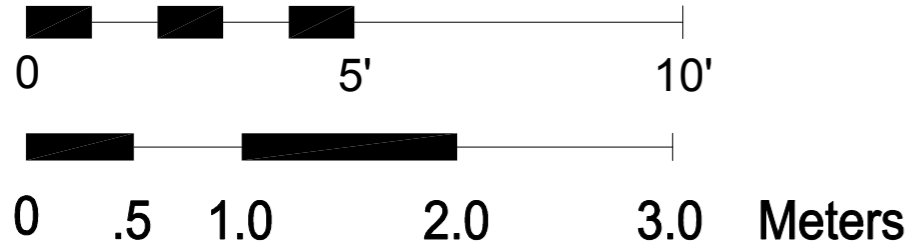
PROJECT NO: LAWS-2R-SM	REV: -	DATE: 06-JAN-12
SYSTEM: LIFETRAIL		SCALE: 1 : 50
FOOTING PLAN		DRAWN BY: CHIP ZECHMAN

Playworld Systems, Inc.
1000 Buffalo Road
Lewisburg, PA
17837-9795 USA

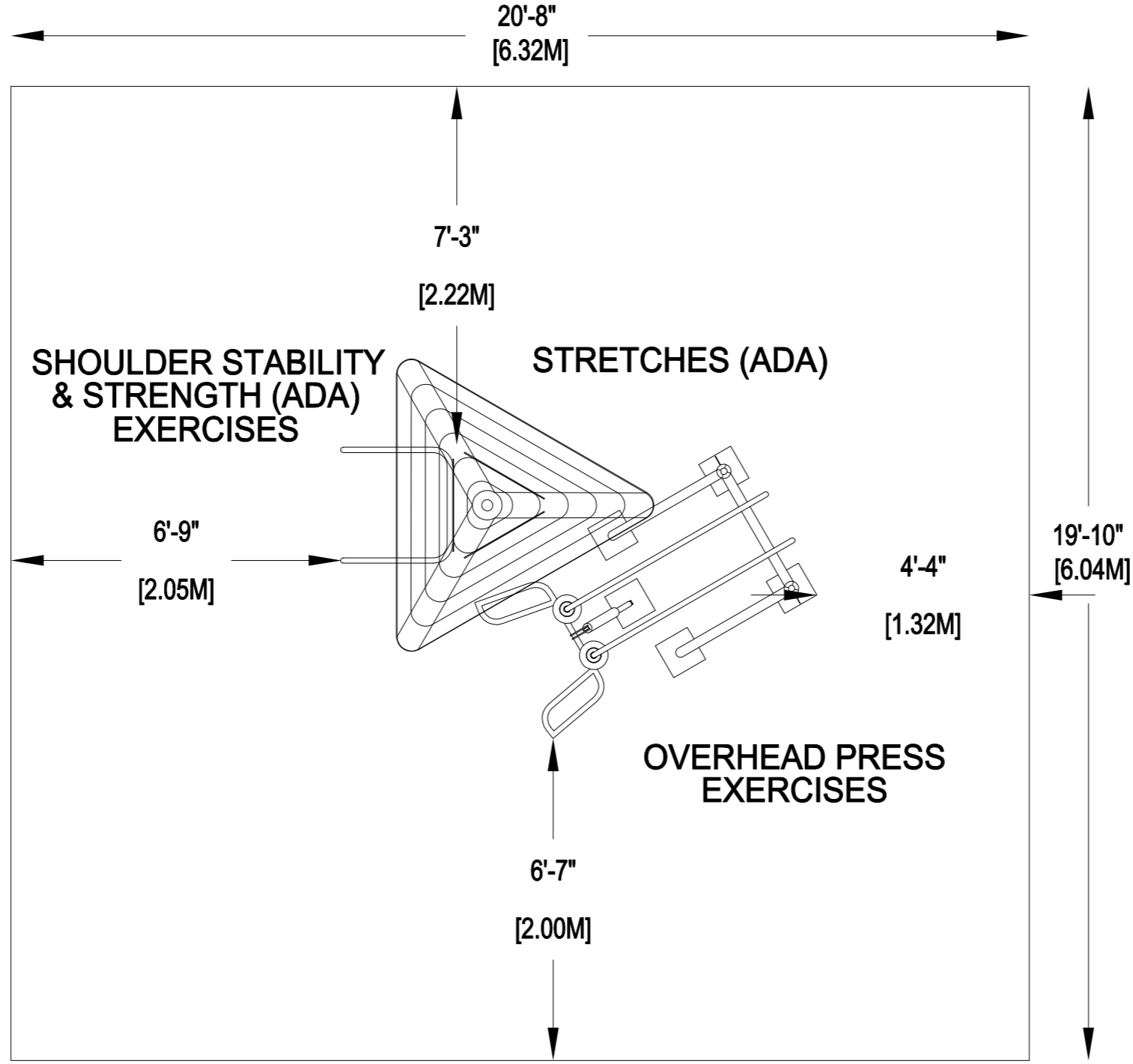
FOOTING LEGEND

- = COMPONENT FOOTING (DETAIL 3)
- = SPIRAL SLIDE CENTER POST FOOTING (DETAIL 1)
- = SUPPORT POST FOOTING (DETAIL 1 or 4)
(284.5mm INDICATES POST LENGTH)
- = CANTILEVER, T-POST, AND COMPONENT POST FOOTING (DETAIL 2)
(ZZCH1850 INDICATES PART NUMBER)
- = GROUND ZERO POST FOOTING (DETAIL 2)
(3658mm INDICATES POST LENGTH)

LAWS-2R-SM
LIFETRAIL ADVANCED WELLNESS SYSTEM



*Playground Supervision Required



PLAYWORLDTM

© 2007 Playworld Systems, Inc.
Playworld™ is a brand of Playworld Systems, Inc.

PROJECT NO: LAWS-2R-ADA-SM	REV: -	DATE: 06-JAN-12
SYSTEM: LIFETRAIL	SCALE: NOT TO SCALE	
SITE PLAN	DRAWN BY: CHIP ZECHMAN	

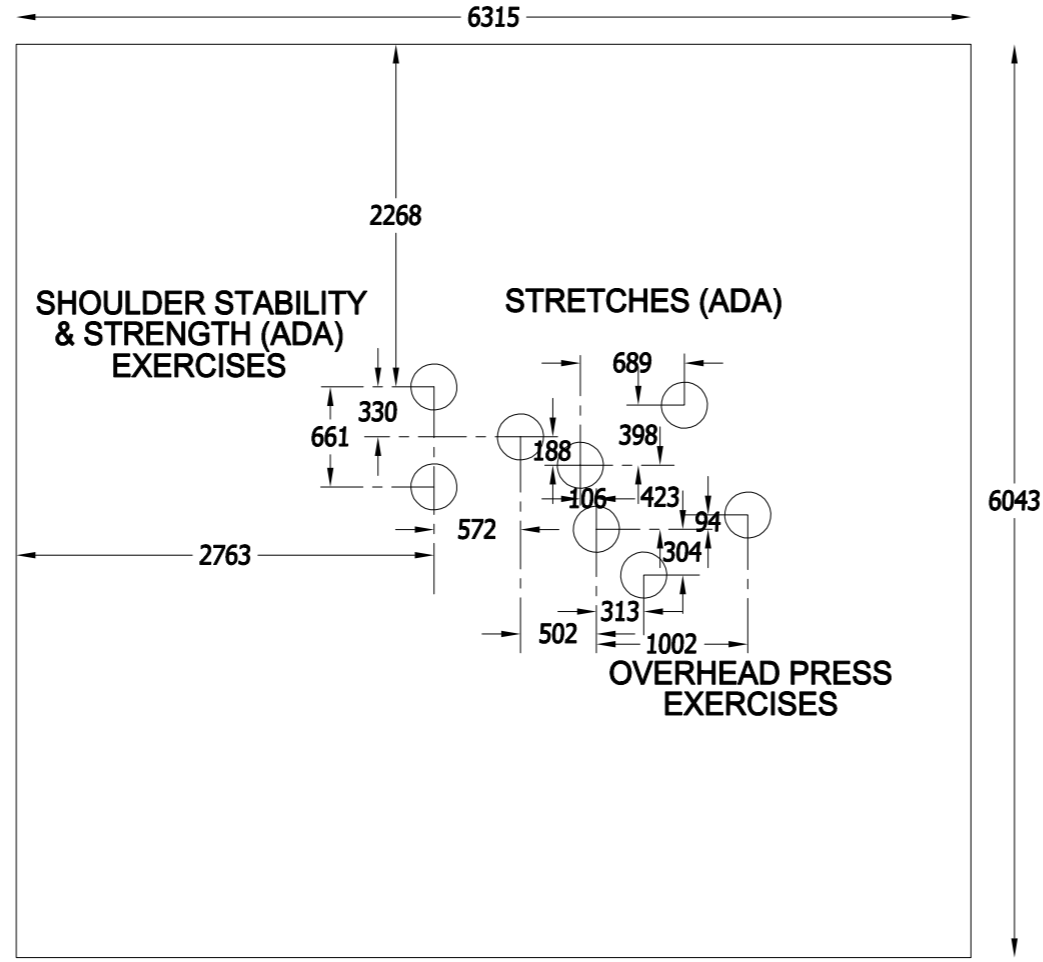
Playworld Systems, Inc.
1000 Buffalo Road
Lewisburg, PA
17837-9795 USA

3 USERS
50+
98" x 79" x 92"
2,95M x 2,35M x 2,80M

00 FL.
00 M.
410 Sq.Ft.
38,12 Sq.M
20'8" x 19'10"
6,32M x 6,04

LAWS-2R-ADA-SM
LIFETRAIL ADVANCED WELLNESS SYSTEM

*Playground Supervision Required



PLAYWORLDTM

© 2007 Playworld Systems, Inc.
Playworld™ is a brand of Playworld Systems, Inc.

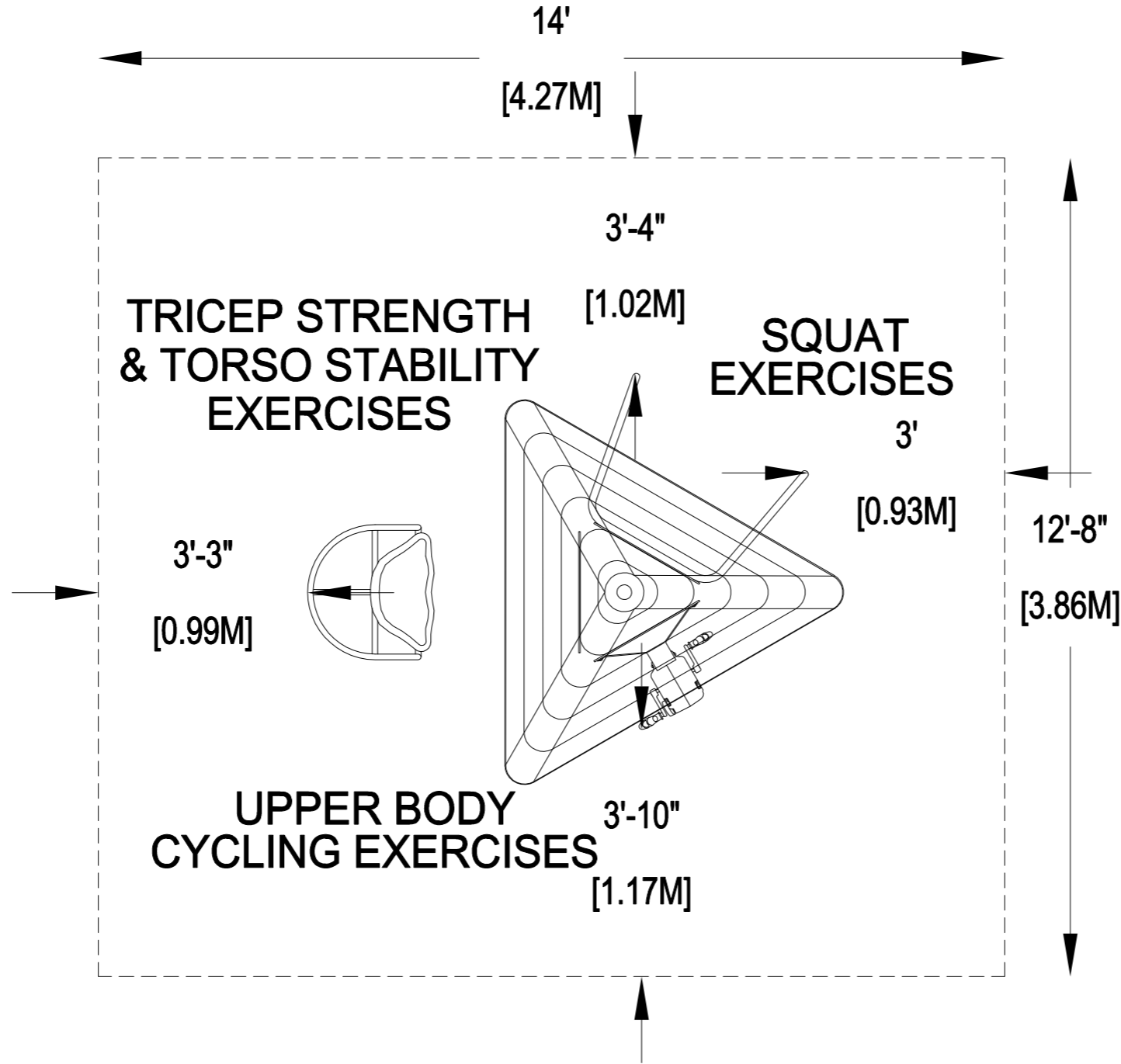
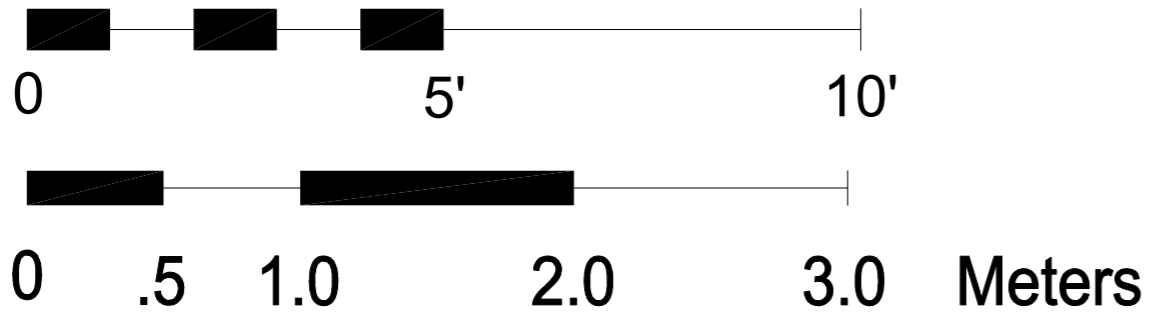
PROJECT NO: LAWS-2R-ADA-SM	REV: -	DATE: 06-JAN-12
SYSTEM: LIFETRAIL	SCALE: 1 : 50	
FOOTING PLAN		DRAWN BY: CHIP ZECHMAN

Playworld Systems, Inc.
1000 Buffalo Road
Lewisburg, PA
17837-9795 USA

FOOTING LEGEND

- = COMPONENT FOOTING (DETAIL 3)
- = SPIRAL SLIDE CENTER POST FOOTING (DETAIL 1)
- = SUPPORT POST FOOTING (DETAIL 1 or 4)
(2845mm INDICATES POST LENGTH)
- = CANTILEVER, "T" POST, AND COMPONENT POST FOOTING (DETAIL 2)
(ZZCH1850 INDICATES PART NUMBER)
- = GROUND ZERO POST FOOTING (DETAIL 2)
(3658mm INDICATES POST LENGTH)

LAWS-2R-ADA-SM
LIFETRAIL ADVANCED WELLNESS SYSTEM



*Playground Supervision Required

PLAYWORLDTM

© 2007 Playworld Systems, Inc.
Playworld™ is a brand of Playworld Systems, Inc.

PROJECT NO: LAWS-3R-SM	REV: -	DATE: 06-JAN-12
SYSTEM: LIFETRAIL	SCALE: NOT TO SCALE	
SITE PLAN	DRAWN BY: CHIP ZECHMAN	

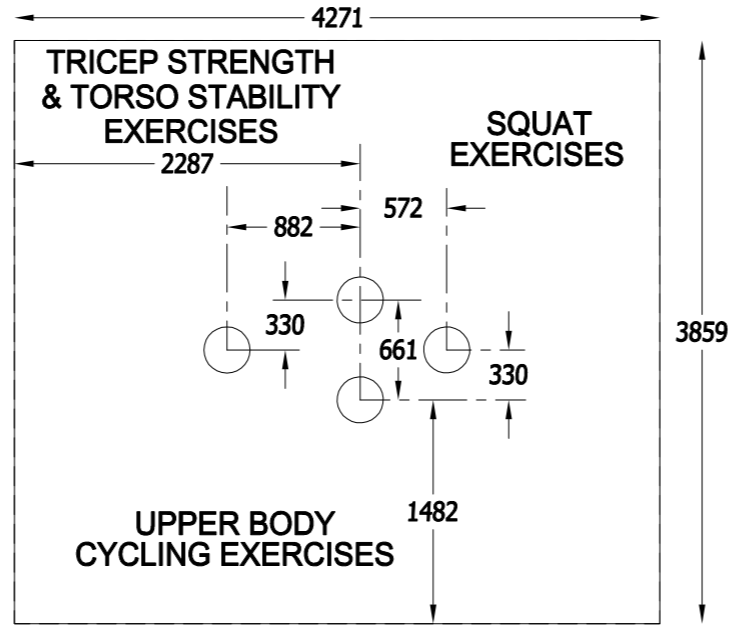
Playworld Systems, Inc.
1000 Buffalo Road
Lewisburg, PA
17837-9795 USA

- 8'3" x 6'4" x 9'2"
2,53M x 1,94M x 2,80M
- 50+
- 177 Sq.Ft.
16,46 Sq.M
- 3 USERS
- 00 Ft.
00 M.
- 14' x 12'8"
4,27M x 3,86M

LAWS-3R-SM

LIFETRAIL ADVANCED WELLNESS SYSTEM

*Playground Supervision Required



PLAYWORLDTM

© 2007 Playworld Systems, Inc.
Playworld™ is a brand of Playworld Systems, Inc.

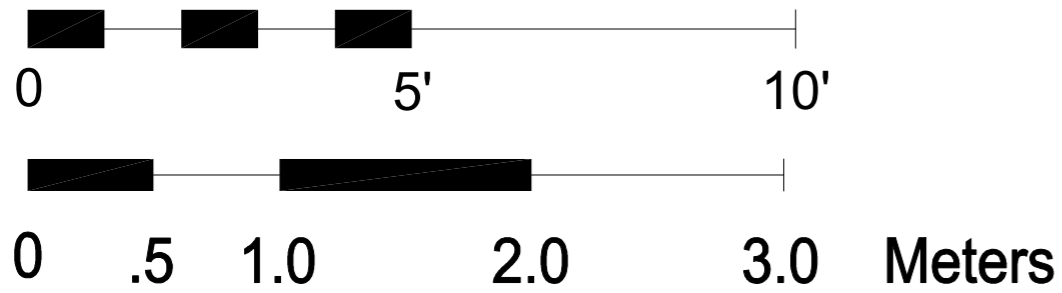
PROJECT NO: LAWS-3R-SM	REV: -	DATE: 06-JAN-12
SYSTEM: LIFETRAIL		SCALE: 1 : 50
FOOTING PLAN		DRAWN BY: CHIP ZECHMAN

Playworld Systems, Inc.
1000 Buffalo Road
Lewisburg, PA
17837-9795 USA

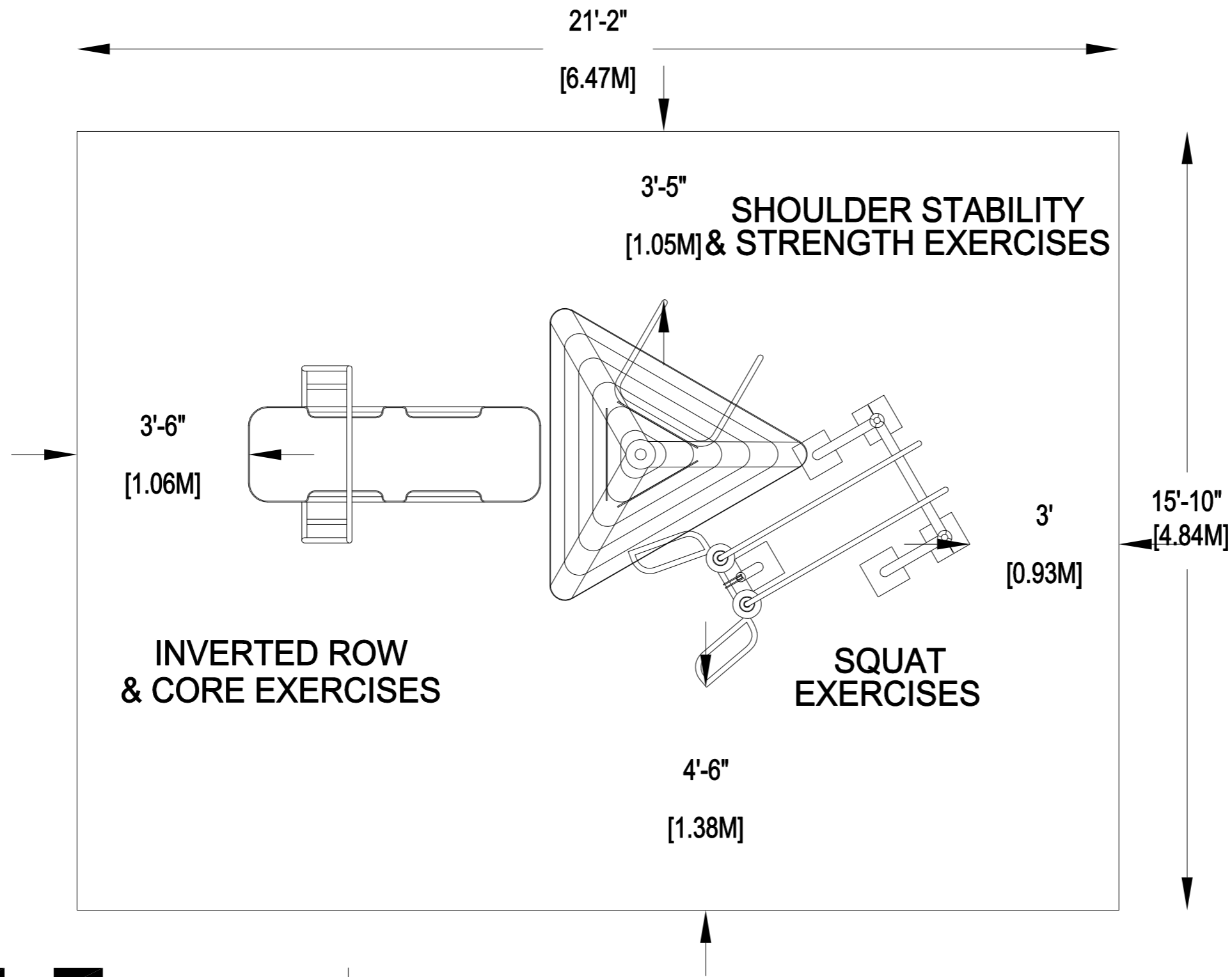
FOOTING LEGEND

- = COMPONENT FOOTING (DETAIL 3)
- = SPIRAL SLIDE CENTER POST FOOTING (DETAIL 1)
- = SUPPORT POST FOOTING (DETAIL 1 of 4)
(284.5mm INDICATES POST LENGTH)
- = CANTILEVER, "T" POST, AND COMPONENT POST FOOTING (DETAIL 2)
(ZZCH1850 INDICATES PART NUMBER)
- = GROUND ZERO POST FOOTING (DETAIL 2)
(3658mm INDICATES POST LENGTH)

LAWS-3R-SM
LIFETRAIL ADVANCED WELLNESS SYSTEM



*Playground Supervision Required



PLAYWORLDTM

© 2007 Playworld Systems, Inc.
Playworld™ is a brand of Playworld Systems, Inc.

PROJECT NO: LAWS-4R-SM	REV: -	DATE: 06-JAN-12
SYSTEM: LIFETRAIL	SCALE: NOT TO SCALE	
SITE PLAN	DRAWN BY: CHIP ZECHMAN	

Playworld Systems, Inc.
1000 Buffalo Road
Lewisburg, PA
17837-9795 USA

3 USERS
50+
149" x 7'11" x 9'2"
4.48M x 2.41M x 2.80M

00 FL.
00 M.

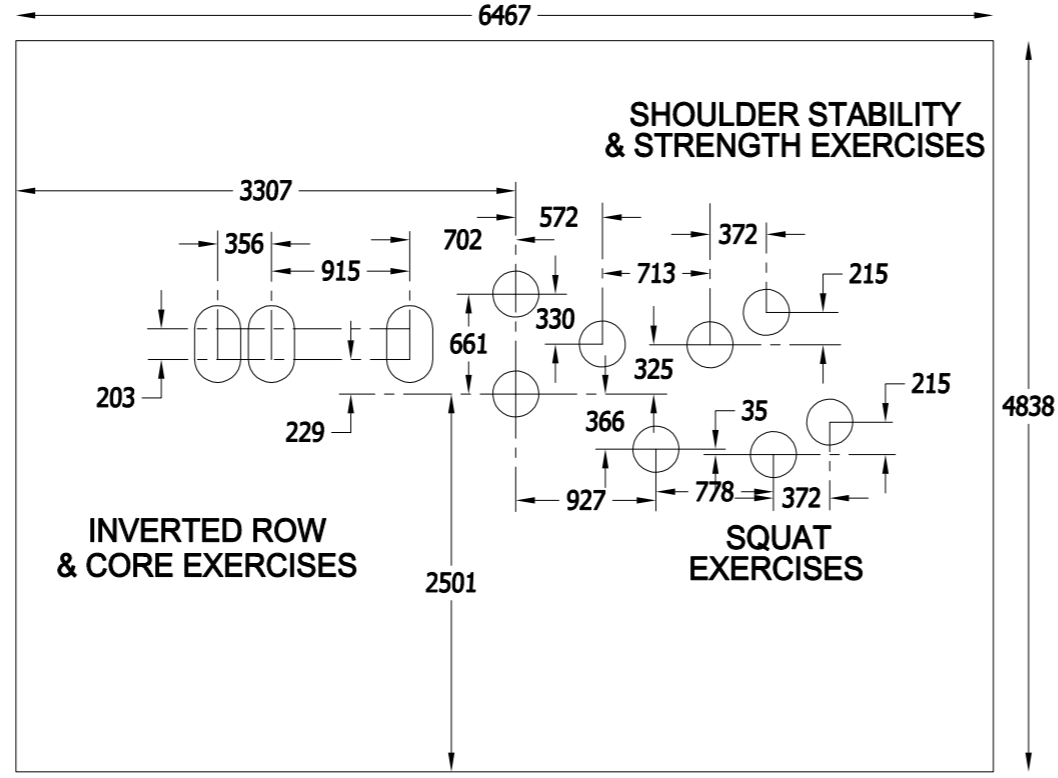
336 Sq.Ft.
31,25 Sq.M

21'2" x 15'10"
6.47M x 4.84M

LAWS-4R-SM

LIFETRAIL ADVANCED WELLNESS SYSTEM

*Playground Supervision Required



PLAYWORLDTM

© 2007 Playworld Systems, Inc.
Playworld™ is a brand of Playworld Systems, Inc.

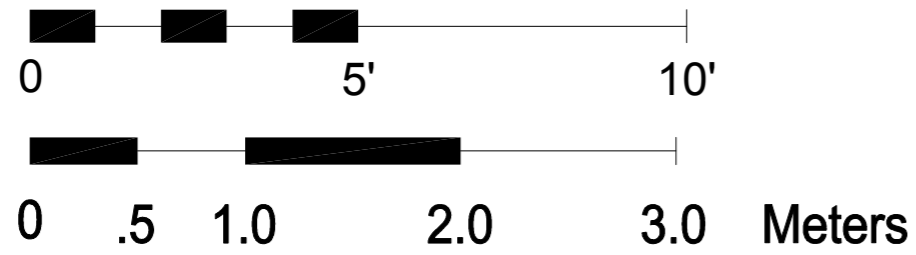
PROJECT NO: LAWS-4R-SM	REV: -	DATE: 06-JAN-12
SYSTEM: LIFETRAIL		SCALE: 1 : 50
FOOTING PLAN		DRAWN BY: CHIP ZECHMAN

Playworld Systems, Inc.
1000 Buffalo Road
Lewisburg, PA
17837-9795 USA

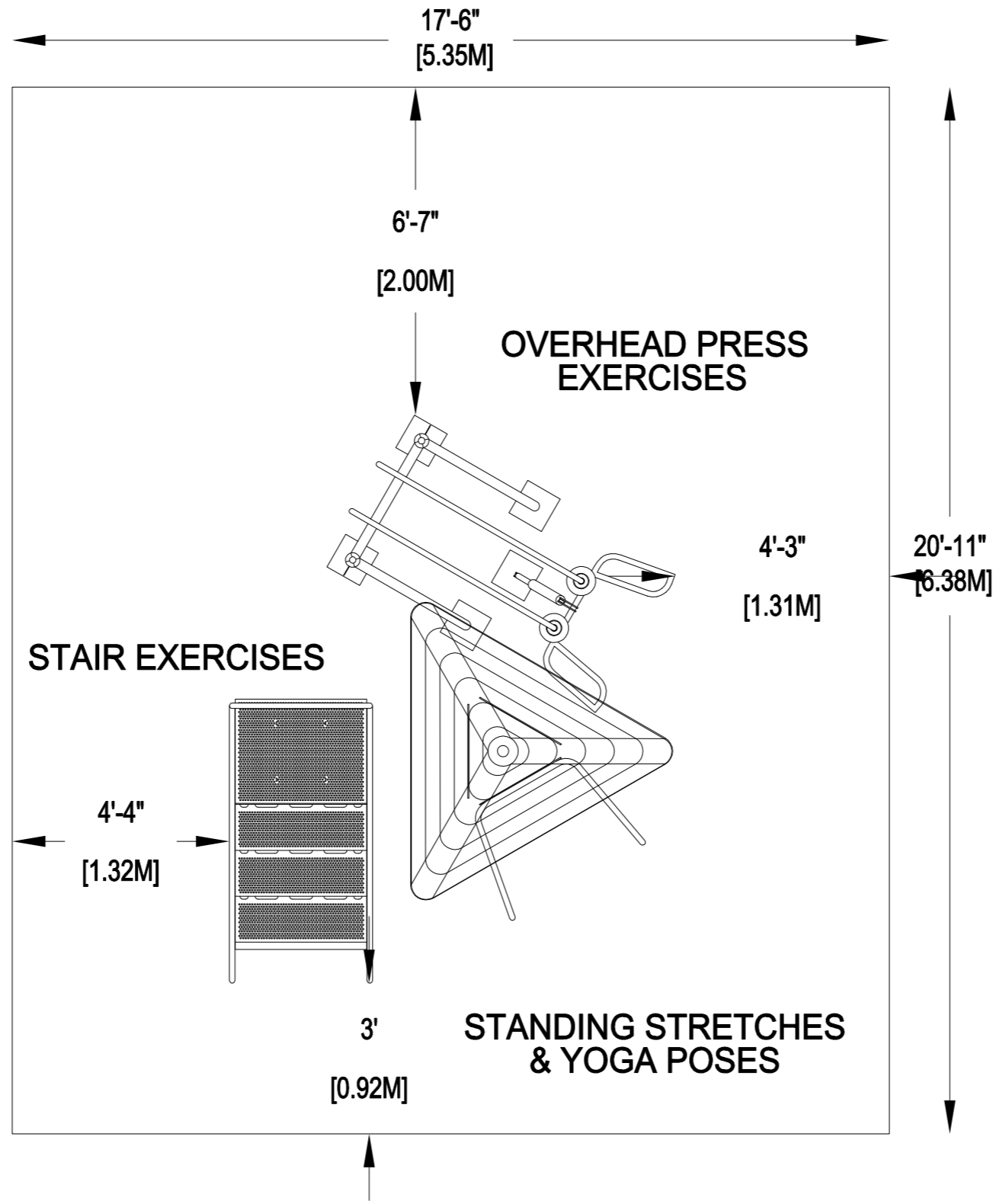
FOOTING LEGEND

- = COMPONENT FOOTING (DETAIL 3)
- = SPIRAL SLIDE CENTER POST FOOTING (DETAIL 1)
- = SUPPORT POST FOOTING (DETAIL 1 or 4)
(284.5mm INDICATES POST LENGTH)
- = CANTILEVER, "T" POST, AND COMPONENT POST FOOTING (DETAIL 2)
(ZZCH1850 INDICATES PART NUMBER)
- = GROUND ZERO POST FOOTING (DETAIL 2)
(3658mm INDICATES POST LENGTH)

LAWS-4R-SM
LIFETRAIL ADVANCED WELLNESS SYSTEM



*Playground Supervision Required



PLAYWORLDTM

© 2007 Playworld Systems, Inc.
Playworld™ is a brand of Playworld Systems, Inc.

PROJECT NO: LAWS-5R-SM	REV: -	DATE: 06-JAN-12
SYSTEM: LIFETRAIL	SCALE: NOT TO SCALE	
SITE PLAN	DRAWN BY: CHIP ZECHMAN	

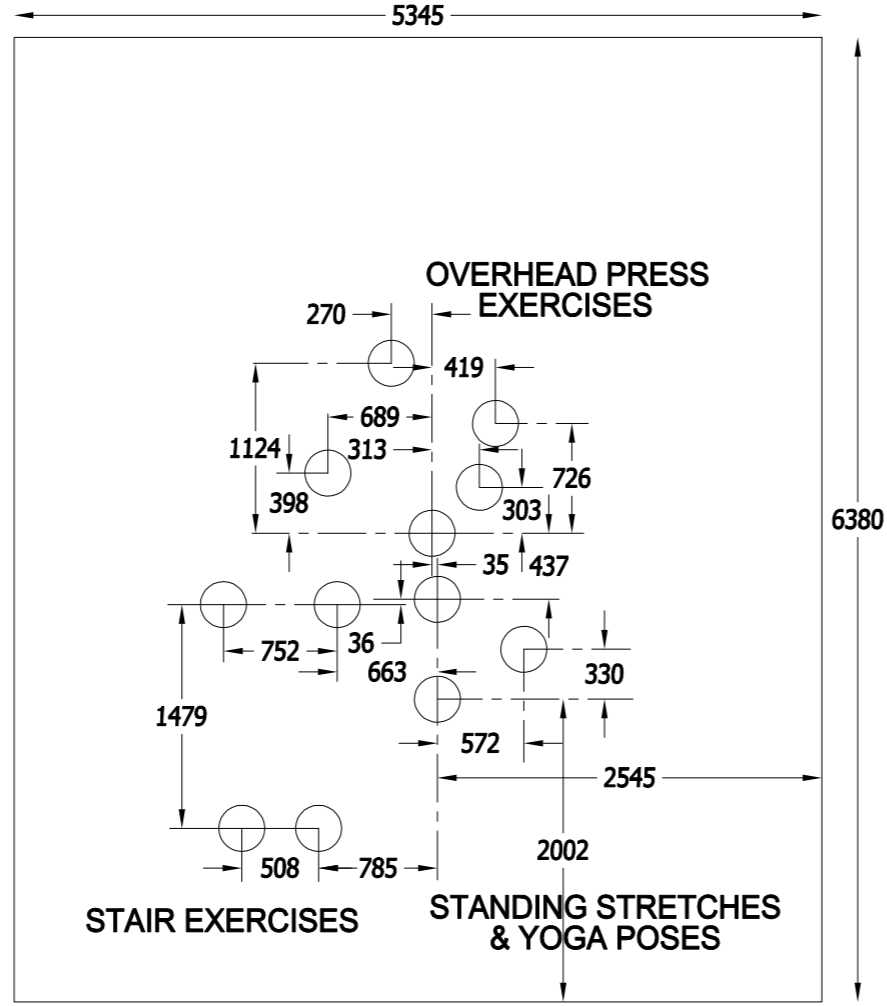
Playworld Systems, Inc.
1000 Buffalo Road
Lewisburg, PA
17837-9795 USA

- 8'11" x 11'4" x 9'2"
2,72M x 3,46M x 2,80
- 50+
- 367 Sq.Ft.
34,06 Sq.M
- 3 USERS
- 00 Fl.
00 M.
- 17'6" x 20'11"
5,35M x 6,38M
- Accessibility icon (wheelchair)

LAWS-5R-SM

LIFETRAIL ADVANCED WELLNESS SYSTEM

*Playground Supervision Required



PLAYWORLDTM

© 2007 Playworld Systems, Inc.
Playworld™ is a brand of Playworld Systems, Inc.

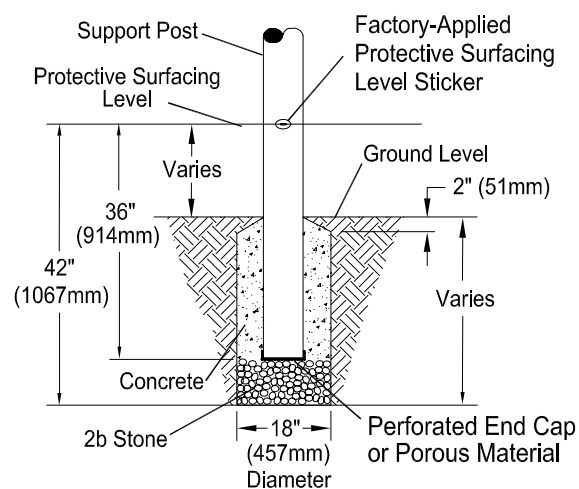
PROJECT NO: LAWS-5R-SM	REV: -	DATE: 06-JAN-12
SYSTEM: LIFETRAIL		SCALE: 1 : 50
FOOTING PLAN		DRAWN BY: CHIP ZECHMAN

Playworld Systems, Inc.
1000 Buffalo Road
Lewisburg, PA
17837-9795 USA

FOOTING LEGEND

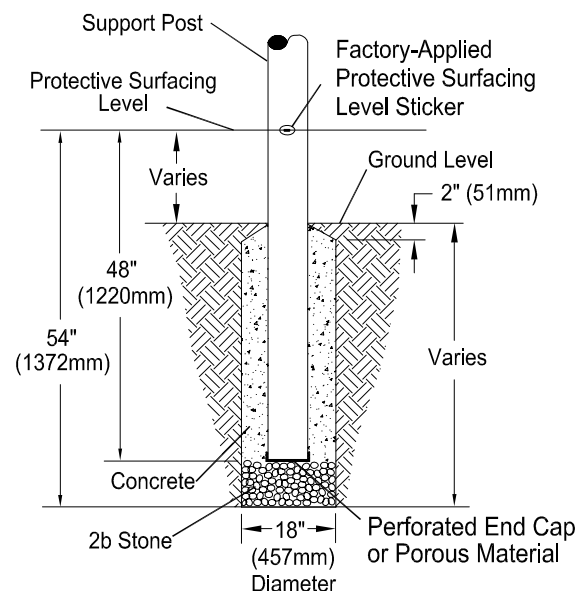
- = COMPONENT FOOTING (DETAIL 3)
- = SPIRAL SLIDE CENTER POST FOOTING (DETAIL 1)
- = SUPPORT POST FOOTING (DETAIL 1 or 4)
(284.5mm INDICATES POST LENGTH)
- = CANTILEVER, T- POST, AND COMPONENT POST FOOTING (DETAIL 2)
(ZZCH1850 INDICATES PART NUMBER)
- = GROUND ZERO POST FOOTING (DETAIL 2)
(3658mm INDICATES POST LENGTH)

LAWS-5R-SM
LIFETRAIL ADVANCED WELLNESS SYSTEM



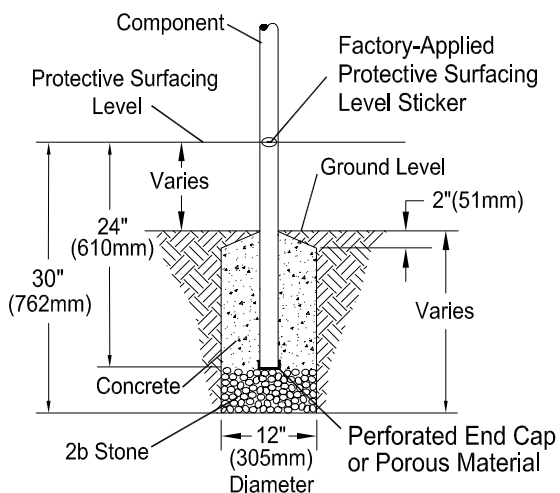
DETAIL 1

Support Post, Spiral Slide and RockBlocks Post Footing Detail



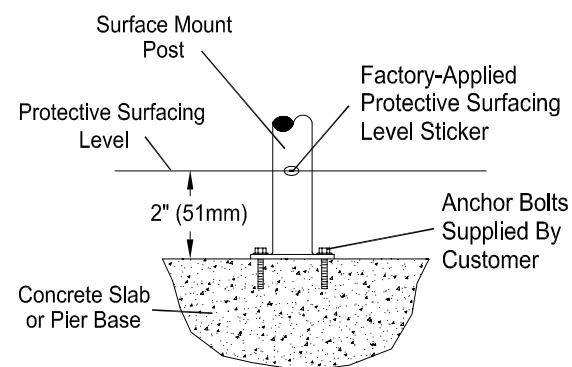
DETAIL 2

GroundZero, Cantilever and "T" Post Footing Detail



DETAIL 3

Component Footing Detail



DETAIL 4

Surface Mount Detail

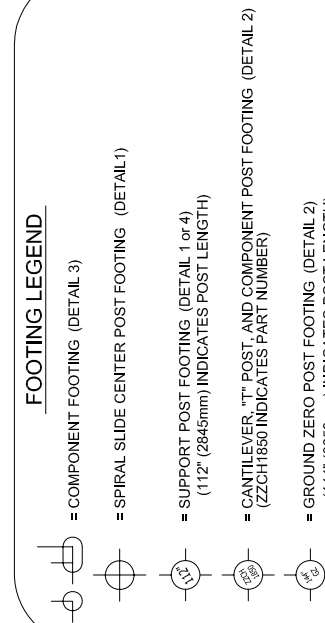
INSTALLATION NOTES:

- 1) Paved surfaces, such as asphalt and concrete, are not acceptable for use under your structure.
- 2) It is the consumer's responsibility to check with local utilities prior to excavating footings for any underground utility lines that may exist within the installation area.
- 3) It is the consumer's responsibility to check local soil conditions and drainage within the site area. Inquire with local contractors for appropriate recommendations.
- 4) If the structure is to be installed across uneven terrain, maintain the support post mark for protective surfacing level at the lowest grade. Adjust other footings accordingly.
- 5) The base of footings must be below frost lines.
- 6) Do not encase the bottom of support posts in concrete. Place all posts directly on packed stone.
- 7) Assemble the entire structure before pouring concrete unless specifically instructed to do so in the individual component installation instructions.
- 8) Read completely the installation instructions provided with your structure prior to beginning construction.

SITE NOTES:

- 1) The site plan provided must be checked against the actual site area to ensure that placement of your structure meets required clearances.
- 2) The dimensions labeled are for location of footing holes, not exact placement of equipment. Assemble, plumb, and level equipment before pouring concrete.
- 3) There must be a minimum distance of 6' (1830mm) between any obstacle, sidewalk, etc., and your structure.
- 4) Slides must have a use zone that extends out from the lower exit section of the slide a distance that is at least 6' (1830mm) or equal to the vertical distance from the highest point of the sliding surface to the top of the protective surfacing, whichever is greater. The slide use zone should not extend greater than 8' (2438mm) from the end of the lower exit section.
- 5) The complete area, including the space under and around the equipment, must be covered with an impact attenuating material. See the 1997 publication, "Handbook for Public Playground Safety", published by the U.S. Consumer Product Safety Commission, for guidelines and recommendations on the type and depth of surfacing material. For a copy of the "Handbook for Public Playground Safety", write to: **U.S. Consumer Product Safety Commission**
Office of Information and Public Affairs
Washington, D.C. 20207
- 6) Supervise children as they play.

FOOTING LEGEND



Playworld Systems, Inc.
1000 Buffalo Road
Lewisburg, PA
17837-9795 USA

PLAYWORLD™

© 2007 Playworld Systems, Inc.
Playworld™ is a brand of Playworld Systems, Inc.

PROJECT NO: -----	REV: --	DATE: 05-OCT-07	SCALE: NOT TO SCALE	DRAWN BY: TECH SALES
FOOTING DETAIL				

POST FOOTING DETAILS

PLAYMAKERS / CHALLENGERS

*Playground Supervision Required

LAWS-1R-SM

LifeTrail Advanced Wellness System



1000 Buffalo Road, Lewisburg, Pa 17837

phone 570.522.9800 - fax 570.522.3030 - 800.233.8404

www.playworldsystems.com

LAWS-1R-SM

LifeTrail Advanced Wellness System



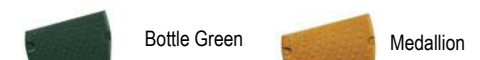
1000 Buffalo Road, Lewisburg, Pa 17837
 phone 570.522.9800 - fax 570.522.3030 - 800.233.8404
www.playworldsystems.com



Design Number: LAWS-1R-SM
LifeTrail® layout

Weight:475 lbs (216 kg)	Age Group:50+
Length:9'-07" (2,92 m)	Use Zone L:15'-02" (4,62 m)
Width:6'-04" (1,93 m)	Use Zone W:12'-04" (3,76 m)
Height:9'-02" (2,80 m)	Number of Users:2
Installation Time:7 Hours	

Colors Shown:



LAWS-1R-ADA-SM

LifeTrail Advanced Wellness System



1000 Buffalo Road, Lewisburg, Pa 17837

phone 570.522.9800 - fax 570.522.3030 - 800.233.8404

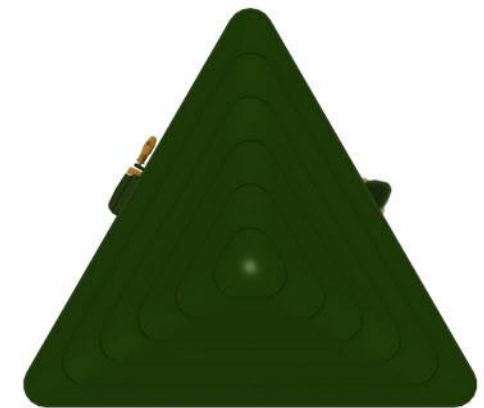
www.playworldsystems.com

LAWS-1R-ADA-SM

LifeTrail Advanced Wellness System



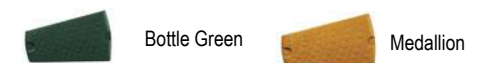
1000 Buffalo Road, Lewisburg, Pa 17837
 phone 570.522.9800 - fax 570.522.3030 - 800.233.8404
www.playworldsystems.com



Design Number: LAWS-1R-ADA-SM
 LifeTrail® layout

Weight:347 lbs (158 kg)	Age Group:50+
Length:5'-03" (1,60 m)	Use Zone L:15'-09" (4,80 m)
Width:5'-11" (1,80 m)	Use Zone W:17' (5,18 m)
Height:9'-02" (2,80 m)	Number of Users:3
Installation Time:7 Hours	

Colors Shown:



LAWS-2R-SM

LifeTrail Advanced Wellness System



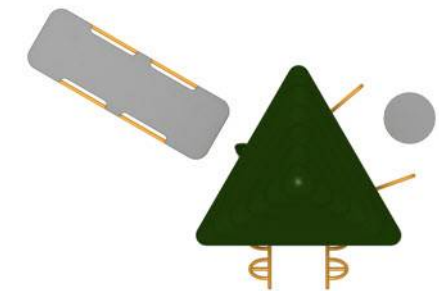
1000 Buffalo Road, Lewisburg, Pa 17837
phone 570.522.9800 - fax 570.522.3030 - 800.233.8404
www.playworldsystems.com

LAWS-2R-SM

LifeTrail Advanced Wellness System



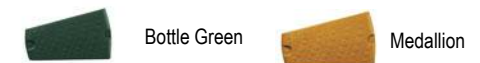
1000 Buffalo Road, Lewisburg, Pa 17837
 phone 570.522.9800 - fax 570.522.3030 - 800.233.8404
www.playworldsystems.com



Design Number: LAWS-2R-SM
 LifeTrail® layout

Weight:473 lbs (215 kg)	Age Group:50+
Length:12' (3,66 m)	Use Zone L:17'-09" (5,41 m)
Width:6'-06" (1,98 m)	Use Zone W:14'-04" (4,42 m)
Height:9'-02" (2,80 m)	Number of Users:3
Installation Time:10 Hours	

Colors Shown:



LAWS-2R-ADA-SM

LifeTrail Advanced Wellness System



1000 Buffalo Road, Lewisburg, Pa 17837

phone 570.522.9800 - fax 570.522.3030 - 800.233.8404

www.playworldsystems.com

LAWS-2R-ADA-SM

LifeTrail Advanced Wellness System



1000 Buffalo Road, Lewisburg, Pa 17837

phone 570.522.9800 - fax 570.522.3030 - 800.233.8404

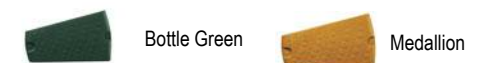
www.playworldsystems.com



Design Number: LAWS-2R-ADA-SM
LifeTrail® layout

Weight:584 lbs (265 kg)	Age Group:50+
Length:9'-08" (2,95 m)	Use Zone L:20'-08" (6,30 m)
Width:7'-09" (2,36 m)	Use Zone W:19'-10" (6,04 m)
Height:9'-02" (2,80 m)	Number of Users:3
Installation Time:8 Hours	

Colors Shown:



LAWS-3R-SM

LifeTrail Advanced Wellness System



1000 Buffalo Road, Lewisburg, Pa 17837

phone 570.522.9800 - fax 570.522.3030 - 800.233.8404

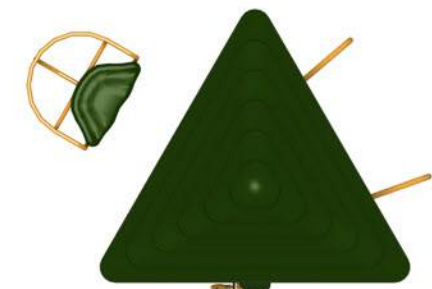
www.playworldsystems.com

LAWS-3R-SM

LifeTrail Advanced Wellness System



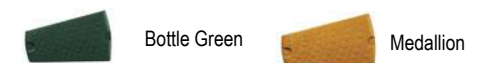
1000 Buffalo Road, Lewisburg, Pa 17837
 phone 570.522.9800 - fax 570.522.3030 - 800.233.8404
www.playworldsystems.com



Design Number: LAWS-3R-SM
 LifeTrail® layout

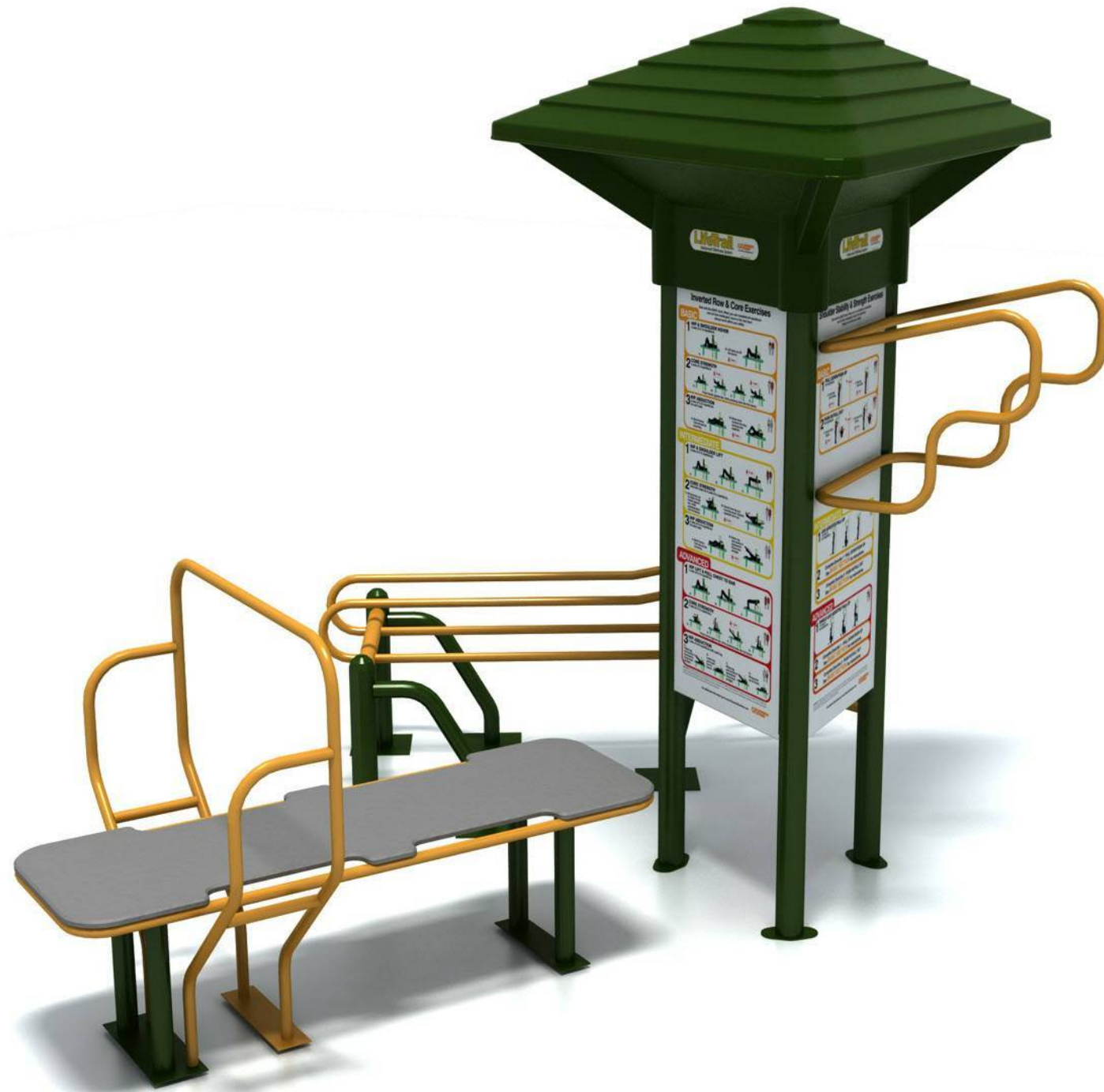
Weight:383 lbs (174 kg)	Age Group:50+
Length:8'-03" (2,51 m)	Use Zone L:14' (4,27 m)
Width:6'-04" (1,68 m)	Use Zone W:12'-08" (3,86 m)
Height:9'-02" (2,80 m)	Number of Users:3
Installation Time:6 Hours	

Colors Shown:



LAWS-4R-SM

LifeTrail Advanced Wellness System



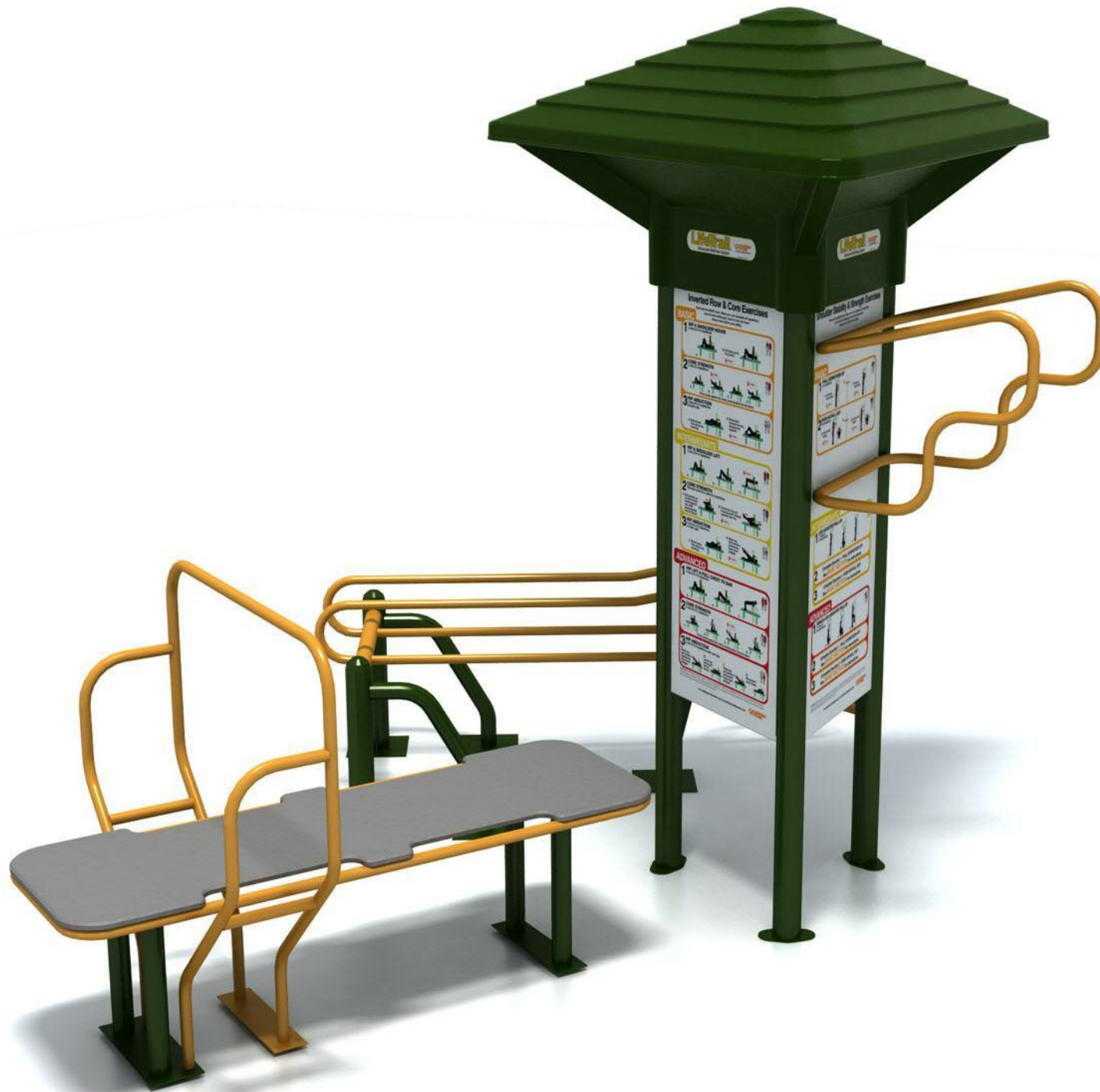
1000 Buffalo Road, Lewisburg, Pa 17837

phone 570.522.9800 - fax 570.522.3030 - 800.233.8404

www.playworldsystems.com

LAWS-4R-SM

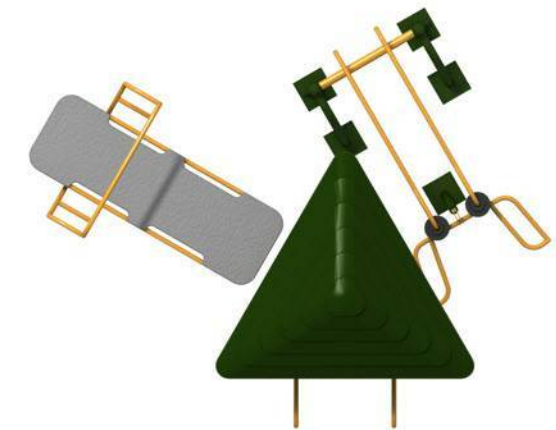
LifeTrail Advanced Wellness System



1000 Buffalo Road, Lewisburg, Pa 17837

phone 570.522.9800 - fax 570.522.3030 - 800.233.8404

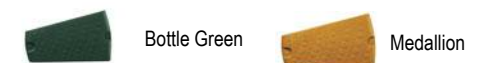
www.playworldsystems.com



Design Number: LAWS-4R-SM
LifeTrail® layout

Weight:590 lbs (268 kg)	Age Group:50+
Length:14'-08" (4,47 m)	Use Zone L:21'-02" (6,45 m)
Width:7'-11" (2,41 m)	Use Zone W:15'-10" (4,82 m)
Height:9'-02" (2,80 m)	Number of Users:3
Installation Time:12 Hours	

Colors Shown:



LAWS-5R-SM

LifeTrail Advanced Wellness System



1000 Buffalo Road, Lewisburg, Pa 17837

phone 570.522.9800 - fax 570.522.3030 - 800.233.8404

www.playworldsystems.com

LAWS-5R-SM

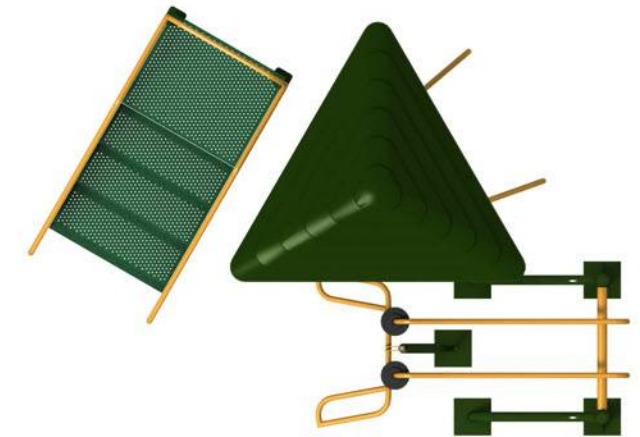
LifeTrail Advanced Wellness System



1000 Buffalo Road, Lewisburg, Pa 17837

phone 570.522.9800 - fax 570.522.3030 - 800.233.8404

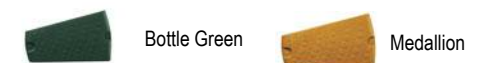
www.playworldsystems.com



Design Number: LAWS-5R-SM
LifeTrail® layout

Weight:727 lbs (330 kg)	Age Group:50+
Length:8'-11" (2,72 m)	Use Zone L:17'-06" (5,33 m)
Width:11'-04" (3,45 m)	Use Zone W:20'-11" (6,38 m)
Height:9'-02" (2,80 m)	Number of Users:3
Installation Time:11 Hours	

Colors Shown:



LAWS-7000R-SM

LifeTrail Advanced Wellness System



1000 Buffalo Road, Lewisburg, Pa 17837
phone 570.522.9800 - fax 570.522.3030 - 800.233.8404
www.playworldsystems.com