

# Jungle Village

Equipment Manufacturer



350-1623



# Jungle Village

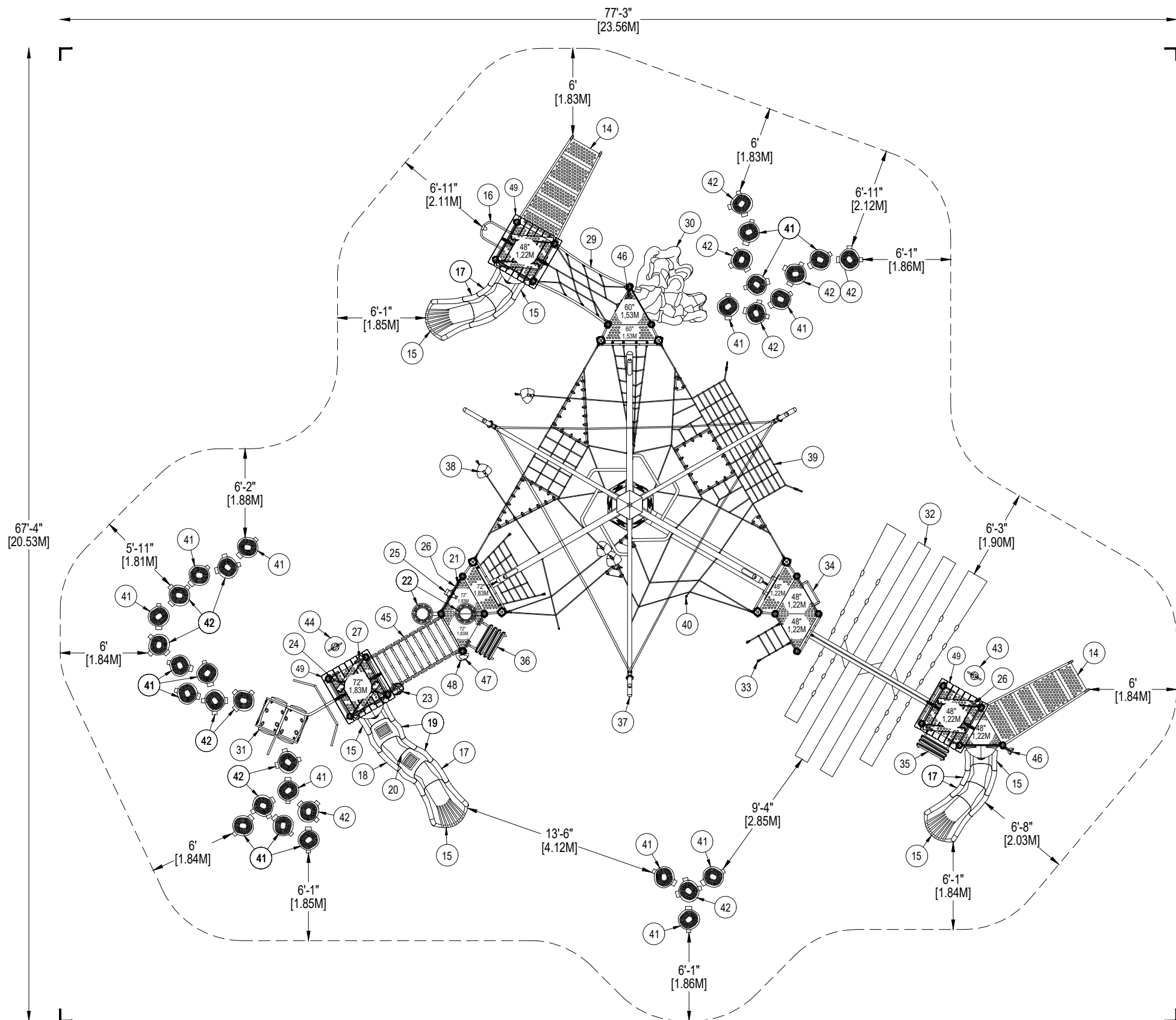
Equipment Manufacturer



350-1623







\*PLAYGROUND SUPERVISION REQUIRED



PLAYWORLD SYSTEMS, INC.

1000 Buffalo Road  
Lewisburg, PA  
17837-9795 USA

EQUIPMENT SIZE:

**65'2" x 49'8" x 16'3"**

19,86M x 15,14M x 4,95M

USE ZONE:

**77'3" x 67'4"**

23,56M x 20,53M

AREA:

**3,382 SqFt.**

314,19 SqM.

PERIMETER:

**234 Ft.**

71,32M

FALL HEIGHT:

**7 Ft.**

2,13M

USER CAPACITY:

**150**

AGE GROUP:

**5-12**

ADA SCHEDULE	Total Elevated Play Activities: 17		
	Total Ground-Level Play Activities: 11		
	Accessible Elevated Activities	Accessible Ground-Level Activities	Accessible Ground-Level Play Types
Required	9	6	3
Provided	17	10	6

✓ ASTM F1487-11

✓ CPSC #325



PROJECT NO:

**350-1623B**

SCALE:

**1/8"=1'-0"**

DRAWN BY:

**M. MERTZ**

Paper Size

**B**

DATE:

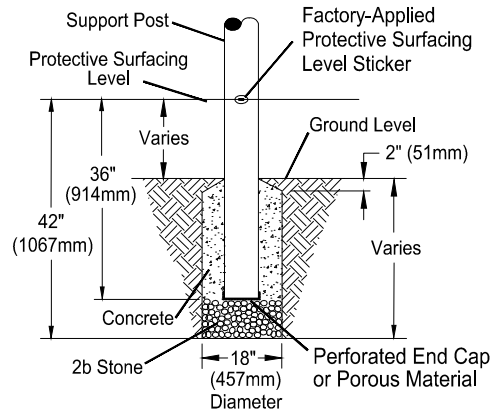
**09-FEB-18**

**JUNGLE VILLAGE**

CATALOG PRE-DESIGN

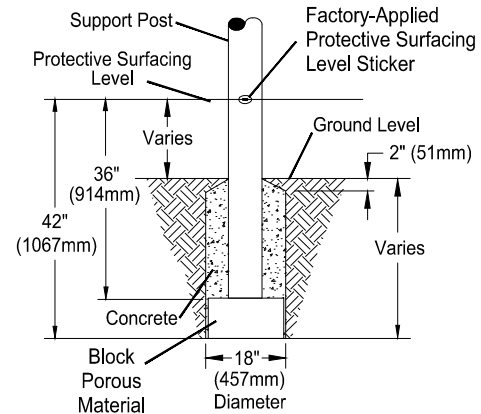
**DETAIL 1**

Support Post, Spiral Slide and RockBlocks Post Footing Detail



**STONE OPTION**

OR



**BLOCK OPTION**

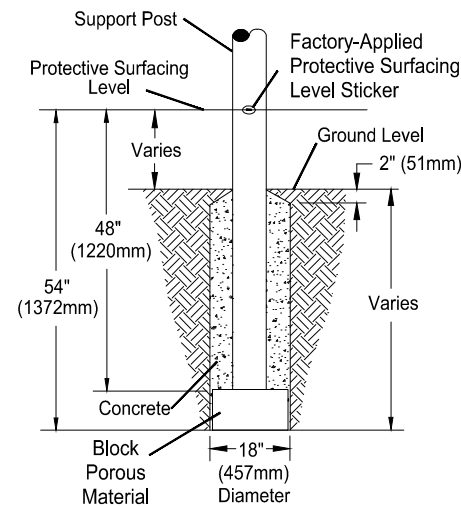
**DETAIL 2**

GroundZero, Cantilever and "T" Post Footing Detail



**STONE OPTION**

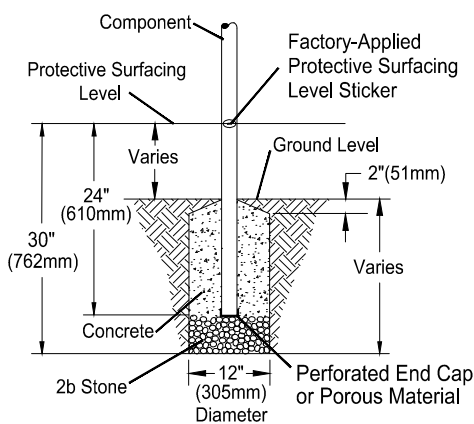
OR



**BLOCK OPTION**

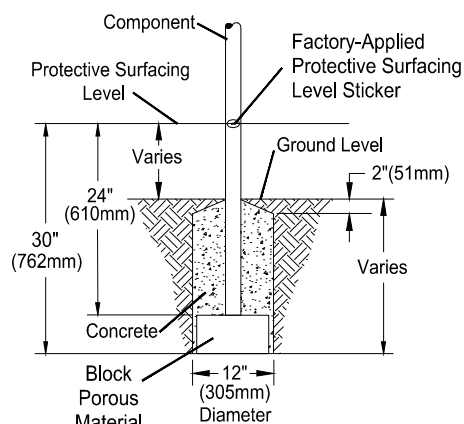
**DETAIL 3**

Component Footing Detail



**STONE OPTION**

OR



**BLOCK OPTION**

**DETAIL 4**

Surface Mount Detail



**INSTALLATION NOTES:**

- 1) Paved surfaces, such as asphalt and concrete, are not acceptable for use under your structure.
- 2) It is the consumer's responsibility to check with local utilities prior to excavating footings for any underground utility lines that may exist within the installation area.
- 3) It is the consumer's responsibility to check local soil conditions and drainage within the site area. Inquire with local contractors for appropriate recommendations.
- 4) If the structure is to be installed across uneven terrain, maintain the support post mark for protective surfacing level at the lowest grade. Adjust other footings accordingly.
- 5) The base of footings must be below frost lines.
- 6) Do not encase the bottom of support posts in concrete. Place all posts directly on packed stone.
- 7) Assemble the entire structure before pouring concrete unless specifically instructed to do so in the individual component installation instructions.
- 8) Read completely the installation instructions provided with your structure prior to beginning construction.

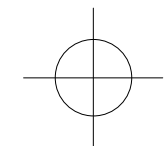
**SITE NOTES:**

- 1) The site plan provided must be checked against the actual site area to ensure that placement of your structure meets required clearances.
- 2) The dimensions labeled are for location of footing holes, not exact placement of equipment. Assemble, plumb, and level equipment before pouring concrete.
- 3) There must be a minimum distance of 6' (1830mm) between any obstacle, sidewalk, etc., and your structure.
- 4) Slides must have a use zone that extends out from the lower exit section of the slide a distance that is at least 6' (1830mm) or equal to the vertical distance from the highest point of the sliding surface to the top of the protective surfacing, whichever is greater. The slide use zone should not extend greater than 8' (2438mm) from the end of the lower exit section.
- 5) The complete area, including the space under and around the equipment, must be covered with an impact attenuating material. See the 1997 publication, "Handbook for Public Playground Safety", published by the U.S. Consumer Product Safety Commission, for guidelines and recommendations on the type and depth of surfacing material. For a copy of the "Handbook for Public Playground Safety", write to: **U.S. Consumer Product Safety Commission**, Office of Information and Public Affairs, Washington, D.C. 20207
- 6) Supervise children as they play.

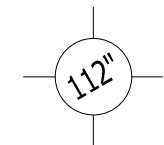
**FOOTING LEGEND**



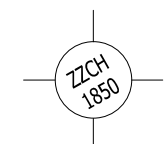
COMPONENT FOOTING (DETAIL 3)



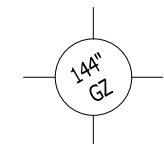
SPIRAL SLIDE CENTER POST FOOTING (DETAIL 1)



SUPPORT POST FOOTING (DETAIL 1 or 4)  
(112" INDICATES POST LENGTH)



CANTILEVER, "T" POST, AND COMPONENT  
POST FOOTING (DETAIL 2)  
(ZZCH1850 INDICATES PART NUMBER)



GROUND ZERO POST FOOTING (DETAIL 2)  
(144" INDICATES POST LENGTH)

FOOTING DETAIL

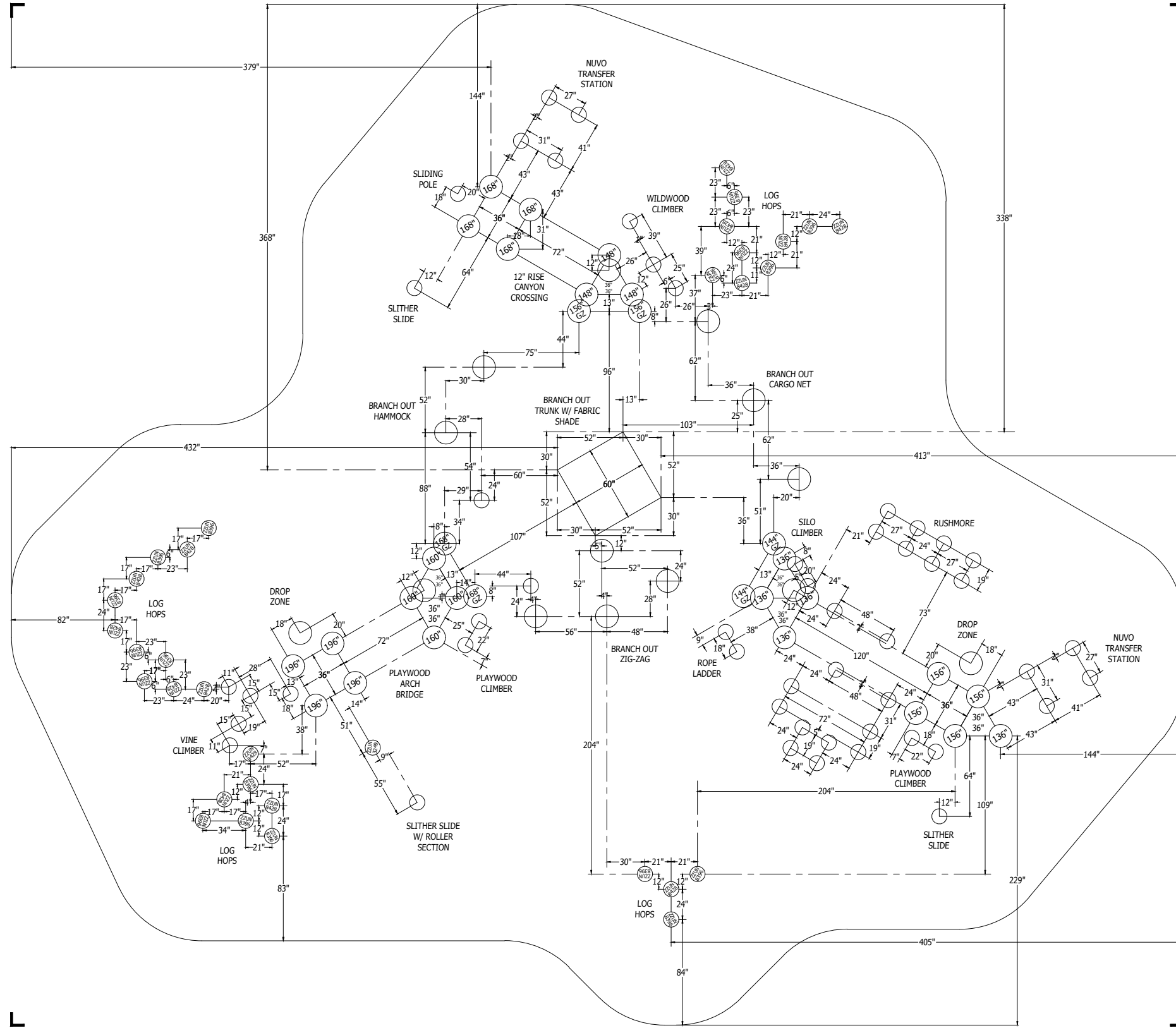
SCALE:  
NOT TO SCALE

DRAWN BY:  
TECH SALES

Paper Size

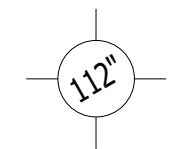
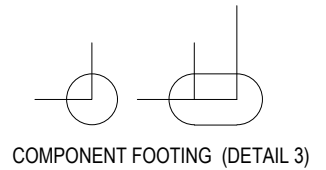
**B**

DATE:  
28-JUNE-13

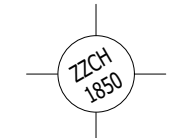


PLAYWORLD SYSTEMS, INC.  
 1000 Buffalo Road  
 Lewisburg, PA  
 17837-9795 USA

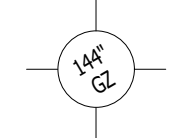
**FOOTING LEGEND**



SUPPORT POST FOOTING (DETAIL 1 or 4)  
 (112" INDICATES POST LENGTH)



CANTILEVER, "T" POST, AND COMPONENT  
 POST FOOTING (DETAIL 2)  
 (ZZCH1850 INDICATES PART NUMBER)



GROUND ZERO POST FOOTING (DETAIL 2)  
 (144" INDICATES POST LENGTH)

PROJECT NO: <b>350-1623B</b>	SCALE: <b>1/8"=1'-0"</b>
DRAWN BY: <b>M. MERTZ</b>	Paper Size <b>B</b>
DATE: <b>09-FEB-18</b>	

\*PLAYGROUND SUPERVISION REQUIRED

**JUNGLE VILLAGE**  
 CATALOG PRE-DESIGN

# Jungle Village

Design Number: 350-1623B - Bill Of Material

Ref. No.	Part No.	Description	Quantity
<b>Posts</b>			
1	ZZCH0028	3.5in OD x 136in STEEL POST W/ RIVETED CAP	5
2	ZZCH0038	3.5in OD x 148in STEEL POST W/ RIVETED CAP	3
3	ZZCH0048	3.5in OD x 160in STEEL POST W/ RIVETED CAP	4
4	ZZCH0217	3.5in OD x 156in SWAGED STEEL POST	4
5	ZZCH0237	3.5in OD x 168in SWAGED STEEL POST	4
6	ZZCH0246	3.5in OD x 196in SWAGED STEEL POST	4
7	ZZPM0036GZ	5in OD X 144in STEEL POST (GROUND ZERO)	2
8	ZZPM0047GZ	5in x 156in GROUND ZERO POST - w/ CAP	2
9	ZZPM0056GZ	5in OD X 168in STEEL POST W/ CAP (GROUND ZERO)	2
<b>Decks &amp; Kick Plates</b>			
10	ZZCH0616	SQUARE COATED DECK ASSEMBLY	3
11	ZZCH0617	TRIANGULAR COATED DECK ASSEMBLY	6
12	ZZUN2290	COATED DECK TO DECK CONNECTION KIT	6
13	ZZUN5898	CH/PM CONVERSION PLATFORM	3
<b>ADA Items</b>			
14	ZZCH0678	NUVO- 48in TRANSFER STATION	2
<b>Slides</b>			
15	ZZCH3206	SLITHER SLIDE 2.0 ENTRANCE & EXIT	3
16	ZZCH8070	SLIDING POLE (48in DECK)	1
17	ZZUN3208	SLITHER SLIDE 2.0 (RIGHT SECTION)	5
18	ZZUN3209	SLITHER SLIDE 2.0 (LEFT SECTION)	1
19	ZZUN3219	SLITHER SLIDE ROLLER SECTION	2
20	ZZUN3249	SLITHER SLIDE 2.0 SUPPORT LEG 3ft-6in	1
<b>Activity Panels</b>			
21	ZZCH4549	NATURE HUNT PANEL (GROUND LEVEL)	1
22	ZZCH4578	ANYWHERE SEAT	2
23	ZZCH4638	NATURE SOUNDS POST MOUNT PANEL	1
24	ZZCH4896	SLING SEAT	1
25	ZZUN4449	PLAYWOOD TELESCOPE	1
<b>Barriers</b>			
26	ZZCH4489	POST MOUNT ACCESS GATES	1
27	ZZCH4658	PLAYWOOD ACCESS GATES	1
28	ZZCH4659	PLAYWOOD WALL BARRIER	1
<b>Climbers</b>			
29	ZZCH6388	6ft CANYON CROSSING - 12in RISE	1
30	ZZCH6827	THE WILDWOOD CLIMBER (60in DK)	1
31	ZZCH6838	VINE CLIMBER W/ ROTO	1
32	ZZCH7066	RUSHMORE	1
33	ZZCH7237	ROPE LADDER- 48in DECK	1
34	ZZCH7950	SILO CLIMBER (48in DECK)	1
35	ZZCH8256	48in PLAYWOOD CLIMBER	1
36	ZZCH8258	72in PLAYWOOD CLIMBER	1

# Jungle Village

Design Number: 350-1623B - Bill Of Material

<b>Ref. No.</b>	<b>Part No.</b>	<b>Description</b>	<b>Quantity</b>
37	ZZUN5890	BRANCH OUT TRUNK W/ FABRIC SHADE	1
38	ZZUN7896	BRANCH OUT HAMMOCK	1
39	ZZUN7897	BRANCH OUT CARGO NET	1
40	ZZUN7898	BRANCH OUT ZIG-ZAG	1
41	ZZUN8396	12in LOG HOP	18
42	ZZUN8428	16in LOG HOP	14
<b>Balance</b>			
43	ZZUN7026	DROP ZONE (48in DECK)	1
44	ZZUN7027	DROP ZONE (72in DECK)	1
<b>Bridges</b>			
45	ZZCH6958	6ft PLAYWOOD ARCH BRIDGE	1
<b>Audible Activities</b>			
46	ZZCH4467	GROUND TO GROUND BABBLE-ON	1
47	ZZCH4557	8in BELL (POST MOUNT)	1
48	ZZCH4559	10in BELL (POST MOUNT)	1
<b>Roofs &amp; Arches</b>			
49	ZZCH9606	PLAYWOOD SINGLE PEAK ROOF	3
<b>Additional Tool &amp; Maintenance Kits</b>			
50	ZZCHGUID	CHALLENGER GUIDELINES	1
51	ZZUN9910	SURFACING WARNING LABEL KIT	1
52	ZZUN9930	PIPE SYSTEMS MAINTENANCE KIT W/ AEROSOL	1



# Jungle Village

Design Number: 350-1623B - Compliance and Technical Data

Reference Document: ASTM F1487

Ref. No.	Part No.	Qty.	Description	Unit ASTM Status	Total Weight (lbs)	Pre-Consumer Recycled (lbs)	Post-Consumer Content (lbs)	CO2e Footprint (kgs)	Users	Install Hours	Concrete (Yds3)	Active Play Events
1	ZZCH0028	5	3.5in OD x 136in STEEL POST W/ RIVETED CAP	Certified	217.55			293	0	5.00	0.63	0
2	ZZCH0038	3	3.5in OD x 148in STEEL POST W/ RIVETED CAP	Certified	141.33			190	0	3.00	0.38	0
3	ZZCH0048	4	3.5in OD x 160in STEEL POST W/ RIVETED CAP	Certified	200.84			272	0	4.00	0.50	0
4	ZZCH0217	4	3.5in OD x 156in SWAGED STEEL POST	Certified	315.24			254	0	2.00	0.50	0
5	ZZCH0237	4	3.5in OD x 168in SWAGED STEEL POST	Certified	206.44			273	0	2.00	0.50	0
6	ZZCH0246	4	3.5in OD x 196in SWAGED STEEL POST	Certified	258.84			317	0	2.00	0.50	0
7	ZZPM0036GZ	2	5in OD X 144in STEEL POST (GROUND ZERO)	Certified	160.82			235	0	3.00	0.36	0
8	ZZPM0047GZ	2	5in x 156in GROUND ZERO POST - w/ CAP	Certified	180.86			253	0	2.00	0.36	0
9	ZZPM0056GZ	2	5in OD X 168in STEEL POST W/ CAP (GROUND ZERO)	Certified	194.02			271	0	2.00	0.36	0
10	ZZCH0616	3	SQUARE COATED DECK ASSEMBLY	Certified	164.58			521	9	3.00	0.00	0
11	ZZCH0617	6	TRIANGULAR COATED DECK ASSEMBLY	Certified	179.40			719	12	6.00	0.00	0
12	ZZUN2290	6	COATED DECK TO DECK CONNECTION KIT	Certified	1.74			23	0	3.00	0.00	0
13	ZZUN5898	3	CH/PM CONVERSION PLATFORM	Certified	178.35			674	3	6.00	0.00	0
14	ZZCH0678	2	NUVO- 48in TRANSFER STATION	Certified	599.08			1,126	6	7.00	0.24	0
15	ZZCH3206	3	SLITHER SLIDE 2.0 ENTRANCE & EXIT	Certified	256.11			1,273	6	6.00	0.09	3
16	ZZCH8070	1	SLIDING POLE (48in DECK)	Certified	56.43			156	1	1.50	0.03	1
17	ZZUN3208	5	SLITHER SLIDE 2.0 (RIGHT SECTION)	Certified	97.95			668	0	1.25	0.00	0
18	ZZUN3209	1	SLITHER SLIDE 2.0 (LEFT SECTION)	Certified	19.59			134	0	0.25	0.00	0
19	ZZUN3219	2	SLITHER SLIDE ROLLER SECTION	Certified	67.60			944	0	0.50	0.00	0
20	ZZUN3249	1	SLITHER SLIDE 2.0 SUPPORT LEG 3ft-6in	Certified	15.01			62	0	0.25	0.03	0
21	ZZCH4549	1	NATURE HUNT PANEL (GROUND LEVEL)	Certified	39.36			401	2	2.00	0.00	1
22	ZZCH4578	2	ANYWHERE SEAT	Certified	62.20			179	2	0.50	0.00	2
23	ZZCH4638	1	NATURE SOUNDS POST MOUNT PANEL	Certified	30.03			738	1	0.50	0.00	1
24	ZZCH4896	1	SLING SEAT	Certified	17.60			146	1	0.50	0.00	1



# Jungle Village

Design Number: 350-1623B - Compliance and Technical Data

Reference Document: ASTM F1487

Ref. No.	Part No.	Qty.	Description	Unit ASTM Status	Total Weight (lbs)	Pre-Consumer Recycled Content (lbs)	Post-Consumer Content (lbs)	CO2e Footprint (kgs)	Users	Install Hours	Concrete (Yds3)	Active Play Events
25	ZZUN4449	1	PLAYWOOD TELESCOPE	Certified	11.81			62	1	0.50	0.00	1
26	ZZCH4489	1	POST MOUNT ACCESS GATES	Certified	20.50			94	0	0.25	0.00	0
27	ZZCH4658	1	PLAYWOOD ACCESS GATES	Certified	33.44			75	0	0.50	0.00	0
28	ZZCH4659	1	PLAYWOOD WALL BARRIER	Certified	47.22			85	0	0.50	0.00	0
29	ZZCH6388	1	6ft CANYON CROSSING - 12in RISE	Certified	81.01			774	2	3.00	0.00	1
30	ZZCH6827	1	THE WILDWOOD CLIMBER (60in DK)	Certified	174.24			828	6	2.50	0.09	1
31	ZZCH6838	1	VINE CLIMBER W/ ROTO	Certified	310.36			1,240	5	4.00	0.15	1
32	ZZCH7066	1	RUSHMORE	Certified	861.68			5,516	10	22.00	0.60	1
33	ZZCH7237	1	ROPE LADDER- 48in DECK	Certified	51.79			345	1	2.00	0.06	1
34	ZZCH7950	1	SILO CLIMBER (48in DECK)	Certified	74.18			134	1	1.50	0.06	1
35	ZZCH8256	1	48in PLAYWOOD CLIMBER	Certified	69.88			125	2	2.00	0.06	1
36	ZZCH8258	1	72in PLAYWOOD CLIMBER	Certified	81.68			138	2	2.00	0.06	1
37	ZZUN5890	1	BRANCH OUT TRUNK W/ FABRIC SHADE	Certified	2,454.21			9,446	14	32.00	5.35	6
38	ZZUN7896	1	BRANCH OUT HAMMOCK	Certified	122.56			2,637	8	3.00	0.28	1
39	ZZUN7897	1	BRANCH OUT CARGO NET	Certified	143.08			2,502	6	3.50	0.42	1
40	ZZUN7898	1	BRANCH OUT ZIG-ZAG	Certified	112.97			1,415	6	4.00	0.56	1
41	ZZUN8396	18	12in LOG HOP	Certified	917.46			1,935	18	18.00	0.54	18
42	ZZUN8428	14	16in LOG HOP	Certified	755.16			1,630	14	14.00	0.42	14
43	ZZUN7026	1	DROP ZONE (48in DECK)	Certified	164.57			1,921	2	2.00	0.21	1
44	ZZUN7027	1	DROP ZONE (72in DECK)	Certified	216.32			2,299	2	2.00	0.21	1
45	ZZCH6958	1	6ft PLAYWOOD ARCH BRIDGE	N/A	327.89			434	3	2.50	0.00	1
46	ZZCH4467	1	GROUND TO GROUND BABBLE-ON	Certified	43.15			240	2	1.50	0.00	1
47	ZZCH4557	1	8in BELL (POST MOUNT)	Certified	5.15			44	1	0.25	0.00	1
48	ZZCH4559	1	10in BELL (POST MOUNT)	Certified	6.87			49	1	0.25	0.00	1
49	ZZCH9606	3	PLAYWOOD SINGLE PEAK ROOF	Certified	549.57			641	0	9.00	0.00	0
50	ZZCHGUID	1	CHALLENGER GUIDELINES	N/A	0.00			1	0	0.25	0.00	0
51	ZZUN9910	1	SURFACING WARNING LABEL KIT	Certified	0.05			1	0	0.25	0.00	0



# Jungle Village

Design Number: 350-1623B - Compliance and Technical Data

Reference Document: ASTM F1487

Ref. No.	Part No.	Qty.	Description	Unit ASTM Status	Total Weight (lbs)	Pre-Consumer Recycled Content (lbs)	Post-Consumer Content (lbs)	CO2e Footprint (kgs)	Users	Install Hours	Concrete (Yds3)	Active Play Events
52	ZZUN9930	1	PIPE SYSTEMS MAINTENANCE KIT W/ AEROSOL	N/A				90				
<b>Totals:</b>					<b>11,297.77</b>	<b>1,759</b>	<b>3,106</b>	<b>44,821</b>	<b>150</b>	<b>196.50</b>	<b>13.54</b>	<b>65</b>
					<b>5,084.00 Kg</b>	<b>792 Kg</b>	<b>1,398 Kg</b>	<b>45 Metric Tons</b>				<b>10.29 m3</b>



# Jungle Village

Design Number: 350-1623B - Compliance and Technical Data

Reference Document: ASTM F1487

Ref. No.	Part No.	Qty.	Description	Unit ASTM Status	Total Weight (lbs)	Pre-Consumer Recycled Content (lbs)	Post-Consumer Content (lbs)	CO2e Footprint (kgs)	Users	Install Hours	Concrete (Yds3)	Active Play Events
----------	----------	------	-------------	------------------	--------------------	-------------------------------------	-----------------------------	----------------------	-------	---------------	-----------------	--------------------

## ASTM F1487

The lay-out for this custom playscape, design number 350-1623B, has been configured to meet the requirements of the ASTM F1487 standard. In addition, each of the above components listed as "Certified" have been tested and are IPEMA certified. Components listed as "Not Applicable" do not fall within the scope of the ASTM F1487 standard and have not been tested. IPEMA certification can be verified on the IPEMA website, [www.ipema.org](http://www.ipema.org). In the interest of playground safety, IPEMA provides a Third Party Certification Service which validates compliance.

## 2010 ADA Standards for Accessible Design

The lay-out was also designed to meet the 2010 Standards published 15-Sep-2010, by the Department of Justice when installed over a properly maintained surfacing material that is in compliance with ASTM F1951 "Accessibility of Surface Systems Under and Around Playground Equipment" as well as ASTM F1292, "Impact Attenuation of Surfacing Materials Within the Use Zone of Playground Equipment", appropriate for the fall height of the structure.

## Installation Times

Installation times are based on one experienced installer. A crew of three experienced individuals can perform the installation within the given time, each member working 1/3 of the given hours. [Eg. Installation Time = 30 hours. For a crew of three, each member will work 10 hours on the installation for a total of 30 hours on the project.]

## Carbon Footprint

The CO2e (carbon footprint given in Kilograms and Metric Tons) listed above is a measure of the environmental impact this play structure represents from harvesting raw materials to the time it leaves our shipping dock. Playworld Systems nurtures a total corporate culture that is focused on eliminating carbon producing processes and products, reducing our use of precious raw materials, reusing materials whenever possible and recycling materials at every opportunity. Playworld Systems elected to adopt the Publicly Available Specification; PAS 2050 as published by the British Standards Institute and sponsored by Defra and the Carbon Trust. The PAS 2050 has gained international acceptance as a specification that measures the greenhouse gas emissions in services and goods throughout their entire life cycle.

## Pre-Consumer Recycle Content

A measurement, in pounds, that qualifies the amount of material that was captured as waste and diverted from landfill during an initial manufacturing process and is being redirected to a separate manufacturing process to become a different product. E.g. 100% of our Aluminum Tubing is made from captured waste material during the manufacturing process of extruded Aluminum products such as rods, flat bars and H-channels.

## Post-Consumer Recycle Content

A measurement, in pounds, that qualifies the amount of material that was once another product that has completed its lifecycle and has been diverted from a landfill as a solid waste through recycling and is now being used in a Playworld Systems' product. E.g. \*\*20% to 40% of the steel in our steel tubing and sheet steel have been diverted from landfills. Automobiles are scrapped and recyclable steel is purchased by the steel mill that produces our raw product.

\*\* The amount of Post-Consumer recycled steel fluctuates daily based on the availability of the recycled steel.

