

# Fun Factory

Equipment Manufacturer



350-1801



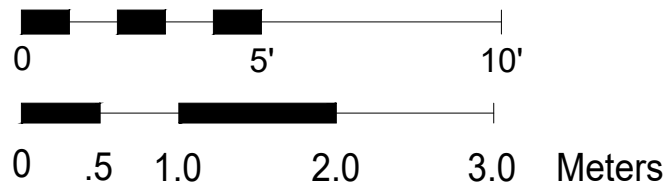
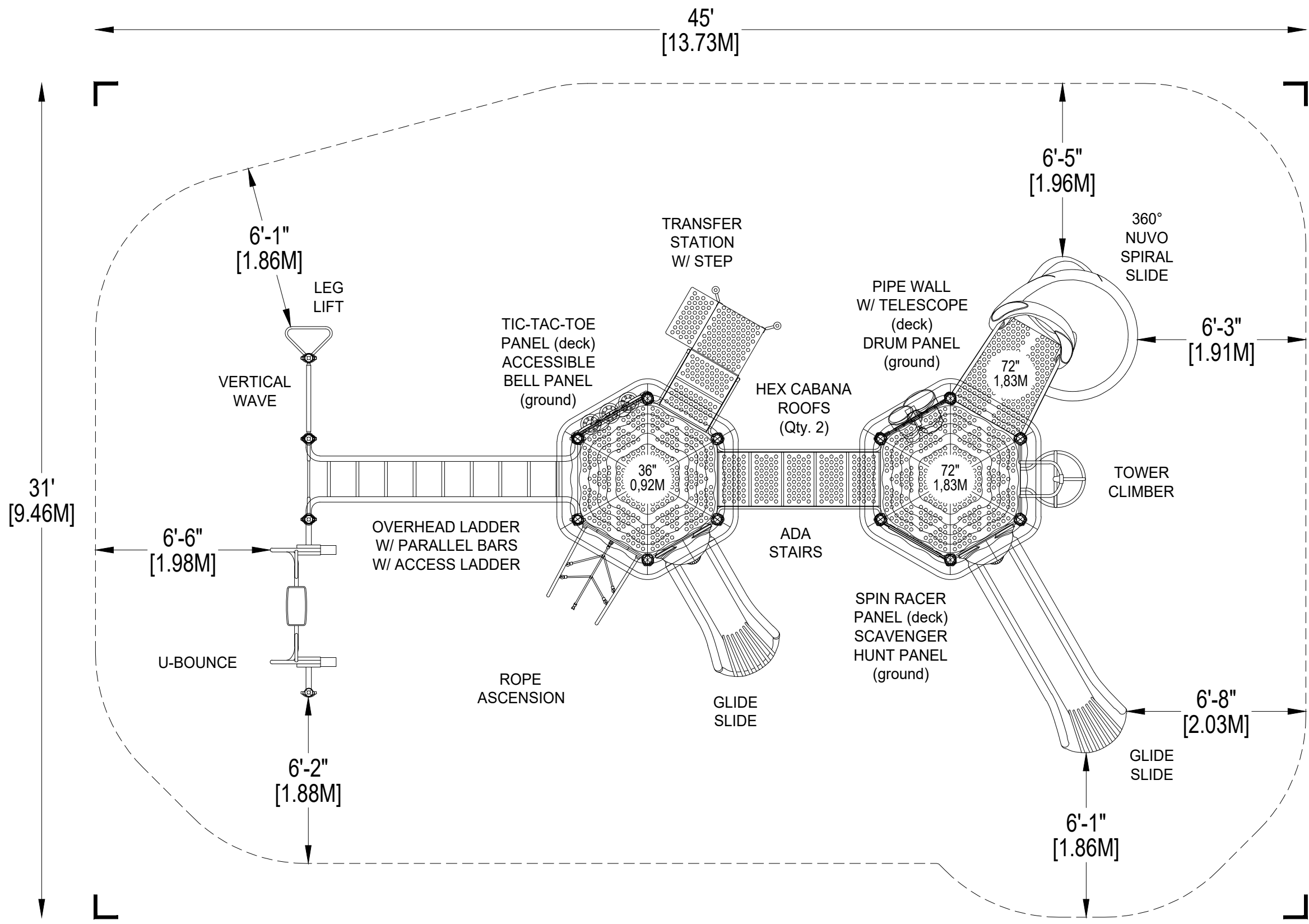
# Fun Factory

Equipment Manufacturer



350-1801





\*PLAYGROUND SUPERVISION REQUIRED



PLAYWORLD SYSTEMS, INC.  
 1000 Buffalo Road  
 Lewisburg, PA  
 17837-9795 USA

EQUIPMENT SIZE:  
**33'10" x 22'1" x 16'1"**  
 10,31M x 6,73M x 4,9M

USE ZONE:  
**45' x 31'**  
 13,73M x 9,46M

AREA: **1,247 SqFt.** PERIMETER: **136 Ft.**  
 115,85 SqM. 41,45M

FALL HEIGHT:  
**8 Ft.**  
 2,44M

USER CAPACITY: **43** AGE GROUP: **5-12**

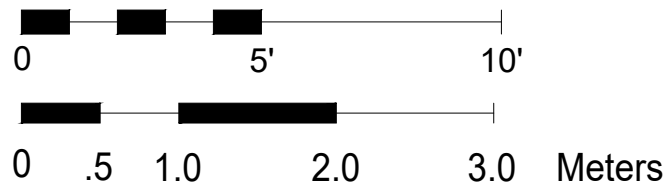
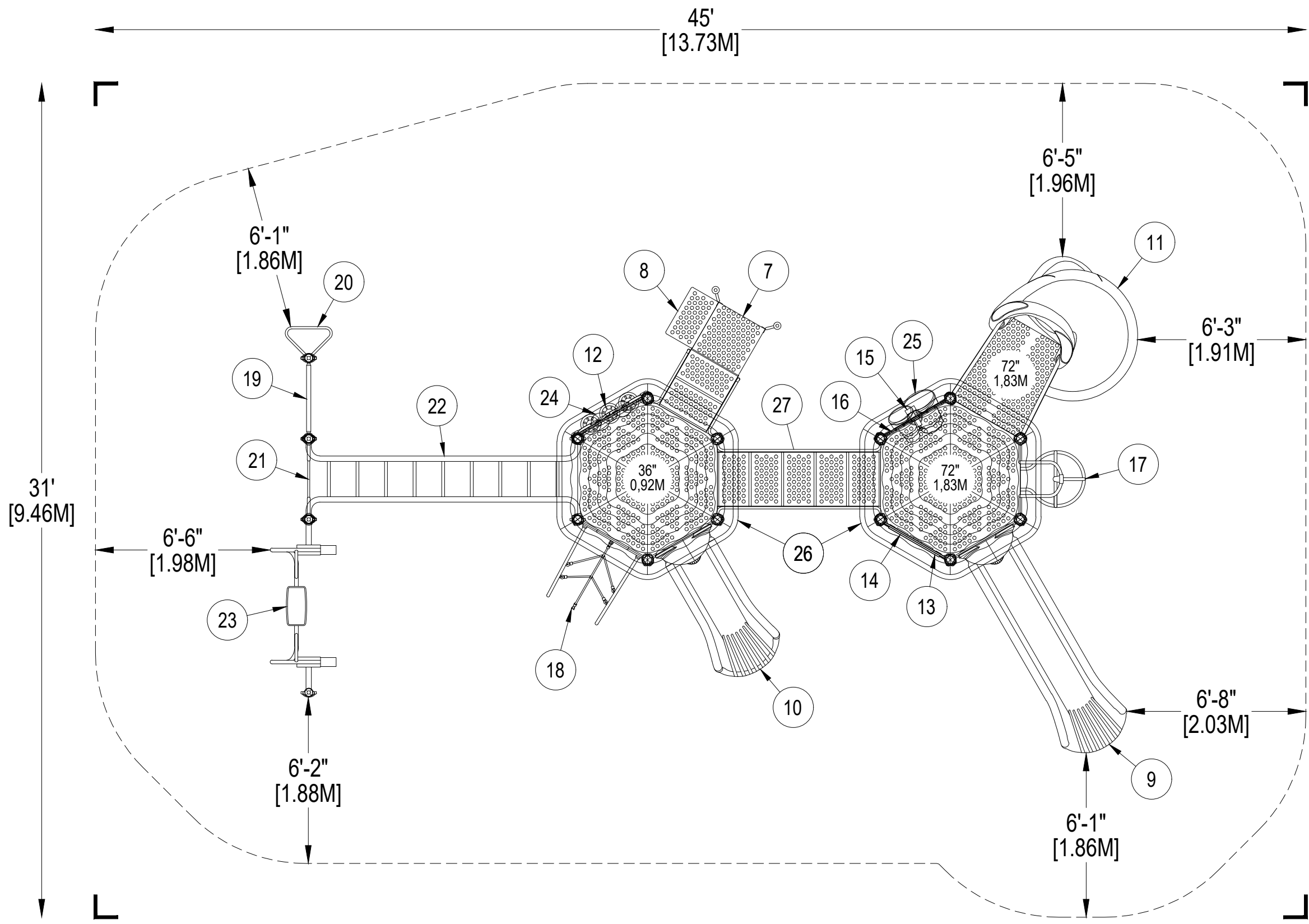
ADA SCHEDULE	Total Elevated Play Activities: 9		
	Total Ground-Level Play Activities: 5		
	Accessible Elevated Activities	Accessible Ground-Level Activities	Accessible Ground-Level Play Types
Required	5	3	3
Provided	9	6	5

- ✓ ASTM F1487-17
- ✓ CPSC #325



PROJECT NO: <b>350-1801</b>	SCALE: <b>1/4"=1'-0"</b>
DRAWN BY: <b>M. MERTZ</b>	Paper Size <b>B</b>
DATE: <b>30-OCT-17</b>	

**FUN FACTORY**  
 CATALOG PRE-DESIGN



\*PLAYGROUND SUPERVISION REQUIRED



PLAYWORLD SYSTEMS, INC.  
 1000 Buffalo Road  
 Lewisburg, PA  
 17837-9795 USA

EQUIPMENT SIZE:  
**33'10" x 22'1" x 16'1"**  
 10,31M x 6,73M x 4,9M

USE ZONE:  
**45' x 31'**  
 13,73M x 9,46M

AREA: **1,247 SqFt.** PERIMETER: **136 Ft.**  
 115,85 SqM. 41,45M

FALL HEIGHT:  
**8 Ft.**  
 2,44M

USER CAPACITY: **43** AGE GROUP: **5-12**

ADA SCHEDULE	Total Elevated Play Activities: 9		
	Total Ground-Level Play Activities: 5		
	Accessible Elevated Activities	Accessible Ground-Level Activities	Accessible Ground-Level Play Types
Required	5	3	3
Provided	9	6	5

- ✓ ASTM F1487-17
- ✓ CPSC #325



PROJECT NO: <b>350-1801</b>	SCALE: <b>1/4"=1'-0"</b>
DRAWN BY: <b>M. MERTZ</b>	Paper Size <b>B</b>
DATE: <b>30-OCT-17</b>	

**FUN FACTORY**  
 CATALOG PRE-DESIGN

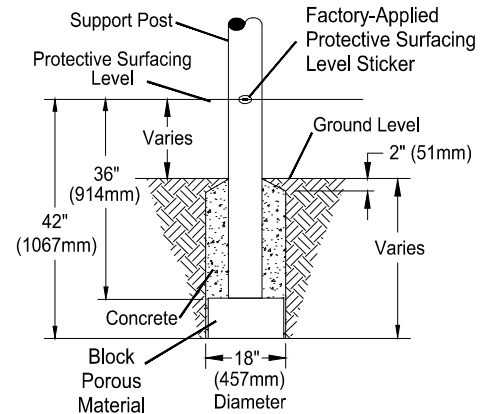
**DETAIL 1**

Support Post, Spiral Slide and RockBlocks Post Footing Detail



**STONE OPTION**

OR



**BLOCK OPTION**

**DETAIL 2**

GroundZero, Cantilever and "T" Post Footing Detail



**STONE OPTION**

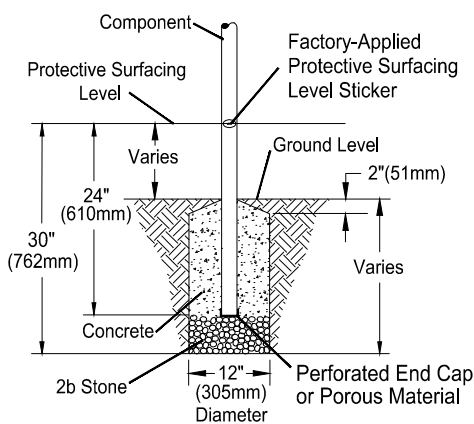
OR



**BLOCK OPTION**

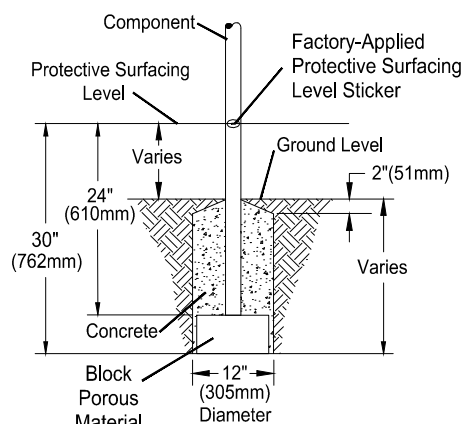
**DETAIL 3**

Component Footing Detail



**STONE OPTION**

OR



**BLOCK OPTION**

**DETAIL 4**

Surface Mount Detail



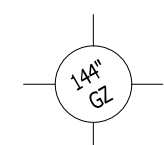
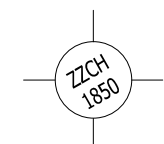
**INSTALLATION NOTES:**

- 1) Paved surfaces, such as asphalt and concrete, are not acceptable for use under your structure.
- 2) It is the consumer's responsibility to check with local utilities prior to excavating footings for any underground utility lines that may exist within the installation area.
- 3) It is the consumer's responsibility to check local soil conditions and drainage within the site area. Inquire with local contractors for appropriate recommendations.
- 4) If the structure is to be installed across uneven terrain, maintain the support post mark for protective surfacing level at the lowest grade. Adjust other footings accordingly.
- 5) The base of footings must be below frost lines.
- 6) Do not encase the bottom of support posts in concrete. Place all posts directly on packed stone.
- 7) Assemble the entire structure before pouring concrete unless specifically instructed to do so in the individual component installation instructions.
- 8) Read completely the installation instructions provided with your structure prior to beginning construction.

**SITE NOTES:**

- 1) The site plan provided must be checked against the actual site area to ensure that placement of your structure meets required clearances.
- 2) The dimensions labeled are for location of footing holes, not exact placement of equipment. Assemble, plumb, and level equipment before pouring concrete.
- 3) There must be a minimum distance of 6' (1830mm) between any obstacle, sidewalk, etc., and your structure.
- 4) Slides must have a use zone that extends out from the lower exit section of the slide a distance that is at least 6' (1830mm) or equal to the vertical distance from the highest point of the sliding surface to the top of the protective surfacing, whichever is greater. The slide use zone should not extend greater than 8' (2438mm) from the end of the lower exit section.
- 5) The complete area, including the space under and around the equipment, must be covered with an impact attenuating material. See the 1997 publication, "Handbook for Public Playground Safety", published by the U.S. Consumer Product Safety Commission, for guidelines and recommendations on the type and depth of surfacing material. For a copy of the "Handbook for Public Playground Safety", write to: **U.S. Consumer Product Safety Commission**, Office of Information and Public Affairs, Washington, D.C. 20207
- 6) Supervise children as they play.

**FOOTING LEGEND**

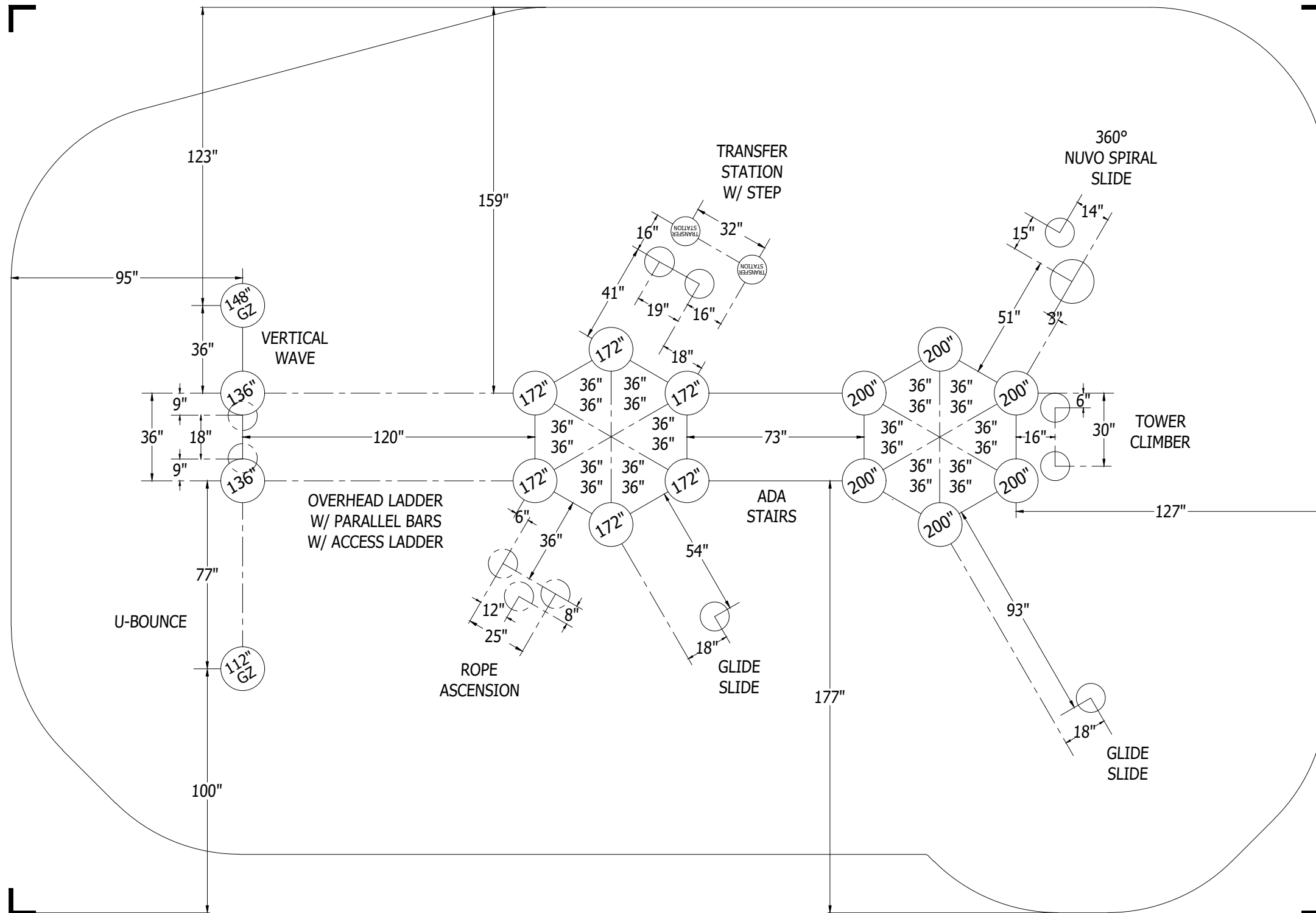
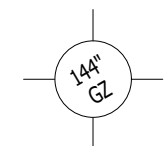
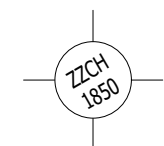
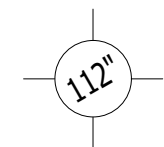
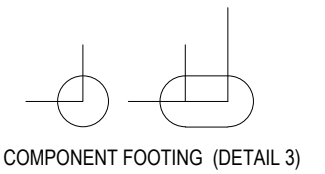


FOOTING DETAIL	SCALE: NOT TO SCALE
DRAWN BY: TECH SALES	Paper Size <b>B</b>
DATE: 28-JUNE-13	



PLAYWORLD SYSTEMS, INC.  
 1000 Buffalo Road  
 Lewisburg, PA  
 17837-9795 USA

FOOTING LEGEND



\*PLAYGROUND SUPERVISION REQUIRED

**FUN FACTORY**  
 CATALOG PRE-DESIGN

PROJECT NO:  
**350-1801**

SCALE:  
**1/4"=1'-0"**

DRAWN BY:  
**M. MERTZ**

Paper Size

DATE:  
**30-OCT-17**

**B**

# Fun Factory

Design Number: 350-1801 - Bill Of Material

Ref. No.	Part No.	Description	Quantity
<b>Posts</b>			
1	ZZCH0009GZ	3.5in OD x 112in GROUND ZERO POST	1
2	ZZCH0028	3.5in OD x 136in STEEL POST W/ RIVETED CAP	2
3	ZZCH0038GZ	3.5in OD x 148in GROUND ZERO POST	1
4	ZZCH0059	3.5in OD x 172in STEEL POST W/O CAP	6
5	ZZCH0077	3.5in OD x 200in STEEL POST W/O CAP	6
<b>Decks &amp; Kick Plates</b>			
6	zzCH0619	FULL HEX COATED DECK ASSEMBLY	2
<b>ADA Items</b>			
7	ZZCH2007	TRANSFER STATION w/TALL GUARDRAIL (36in DECK)	1
8	ZZUN2019	APPROACH STEP FOR TRANSFER STATION	1
<b>Slides</b>			
9	ZZCH2696	GLIDE SLIDE (72in DECK)	1
10	ZZCH3127	GLIDE SLIDE (36in DECK)	1
11	ZZCH3537	SLIDE- NUVO 360 SPIRAL SLIDE	1
<b>Activity Panels</b>			
12	ZZCH4350	TIC-TAC-TOE ACTIVITY WALL	1
13	ZZch4537	SPIN RACER PANEL (DECK LEVEL)	1
14	ZZCH4547	SCAVENGER HUNT (GROUND LEVEL)	1
15	ZZUN4279	TELESCOPE PIPE WALL MOUNT (CH/EX)	1
<b>Barriers</b>			
16	ZZCH4095	CENTERLINE PIPE WALL BARRIER	1
<b>Climbers</b>			
17	ZZCH7168	6ft TOWER CLIMBER	1
18	ZZCH7217	36in ROPE ASCENSION	1
<b>Ground Zer0 Climbers</b>			
19	ZZCH8467	THE VERTICAL WAVE	1
<b>Overhead Events</b>			
20	ZZCH5770	LEG LIFT	1
21	ZZCH5970	OVERHEAD EVENT ACCESS LADDER (36in DECK)	1
22	ZZCH6936	HORIZONTAL LADDER W/ PARALLEL BARS	1
<b>Balance</b>			
23	ZZCH6850	U-BOUNCE	1
<b>Audible Activities</b>			
24	ZZCH4409	ACCESSIBLE BELL PANEL	1
25	ZZCH4587	DRUM PANEL (GROUND LEVEL)	1
<b>Roofs &amp; Arches</b>			
26	ZZCH9858	CH HEX CABANA ROOF	2
<b>Stairs and Ladders</b>			
27	ZZCH9177	36in ACCESS STEPPED PLATFORM (DECK TO DECK)	1
<b>Additional Tool &amp; Maintenance Kits</b>			
28	ZZCHGUID	CHALLENGER GUIDELINES	1
29	ZZUN9910	SURFACING WARNING LABEL KIT	1



# Fun Factory

Design Number: 350-1801 - Bill Of Material

Ref. No.	Part No.	Description	Quantity
30	ZZUN9930	PIPE SYSTEMS MAINTENANCE KIT W/ AEROSOL	1





# Fun Factory

Design Number: 350-1801 - Compliance and Technical Data

Reference Document: ASTM F1487

Ref. No.	Part No.	Qty.	Description	Unit ASTM Status	Total Weight (lbs)	Pre-Consumer Recycled Content (lbs)	Post-Consumer Content (lbs)	CO2e Footprint (kgs)	Users	Install Hours	Concrete (Yds3)	Active Play Events
1	ZZCH0009GZ	1	3.5in OD x 112in GROUND ZERO POST	Certified	35.11			49	0	1.00	0.18	0
2	ZZCH0028	2	3.5in OD x 136in STEEL POST W/ RIVETED CAP	Certified	87.02			117	0	2.00	0.25	0
3	ZZCH0038GZ	1	3.5in OD x 148in GROUND ZERO POST	Certified	47.01			63	0	1.00	0.18	0
4	ZZCH0059	6	3.5in OD x 172in STEEL POST W/O CAP	Certified	309.66			409	0	6.00	0.75	0
5	ZZCH0077	6	3.5in OD x 200in STEEL POST W/O CAP	Certified	366.06			476	0	6.00	0.75	0
6	zzCH0619	2	FULL HEX COATED DECK ASSEMBLY	Certified	302.52			888	12	3.00	0.00	0
7	ZZCH2007	1	TRANSFER STATION w/TALL GUARDRAIL (36in DECK)	Certified	148.40			310	2	2.00	0.09	0
8	ZZUN2019	1	APPROACH STEP FOR TRANSFER STATION	Certified	35.83			72	1	1.00	0.04	0
9	ZZCH2696	1	GLIDE SLIDE (72in DECK)	Certified	151.63			653	2	2.00	0.03	1
10	ZZCH3127	1	GLIDE SLIDE (36in DECK)	Certified	99.73			374	2	2.00	0.03	1
11	ZZCH3537	1	SLIDE- NUVO 360 SPIRAL SLIDE	Certified	650.00			1,417	2	6.00	0.15	1
12	ZZCH4350	1	TIC-TAC-TOE ACTIVITY WALL	Certified	45.03			342	2	0.50	0.00	1
13	ZZch4537	1	SPIN RACER PANEL (DECK LEVEL)	Certified	47.70			389	3	1.00	0.00	1
14	ZZCH4547	1	SCAVENGER HUNT (GROUND LEVEL)	Certified	42.88			512	3	2.00	0.00	1
15	ZZUN4279	1	TELESCOPE PIPE WALL MOUNT (CH/EX)	Certified	12.23			61	1	0.50	0.00	1
16	ZZCH4095	1	CENTERLINE PIPE WALL BARRIER	Certified	28.74			71	0	0.50	0.00	0
17	ZZCH7168	1	6ft TOWER CLIMBER	Certified	100.77			242	2	2.00	0.06	1
18	ZZCH7217	1	36in ROPE ASCENSION	Certified	81.21			354	1	3.00	0.18	1
19	ZZCH8467	1	THE VERTICAL WAVE	Certified	62.49			215	1	0.50	0.00	1
20	ZZCH5770	1	LEG LIFT	Certified	6.76			30	1	0.50	0.00	1
21	ZZCH5970	1	OVERHEAD EVENT ACCESS LADDER (36in DECK)	Certified	25.12			71	1	1.50	0.06	0
22	ZZCH6936	1	HORIZONTAL LADDER W/ PARALLEL BARS	Certified	126.22			251	1	0.00	0.00	1
23	ZZCH6850	1	U-BOUNCE	Certified	102.88			314	1	3.00	0.00	1
24	ZZCH4409	1	ACCESSIBLE BELL PANEL	Certified	22.16			211	1	0.50	0.00	1
25	ZZCH4587	1	DRUM PANEL (GROUND LEVEL)	Certified	44.64			407	2	1.00	0.00	1
26	ZZCH9858	2	CH HEX CABANA ROOF	Certified	388.30			1,637	0	2.00	0.00	0



# Fun Factory

Design Number: 350-1801 - Compliance and Technical Data

Reference Document: ASTM F1487

Ref. No.	Part No.	Qty.	Description	Unit ASTM Status	Total Weight (lbs)	Pre-Consumer Recycled Content (lbs)	Post-Consumer Content (lbs)	CO2e Footprint (kgs)	Users	Install Hours	Concrete (Yds3)	Active Play Events
27	ZZCH9177	1	36in ACCESS STEPPED PLATFORM (DECK TO DECK)	Certified	217.24			550	2	1.50	0.00	0
28	ZZCHGUID	1	CHALLENGER GUIDELINES	N/A	0.00			1	0	0.25	0.00	0
29	ZZUN9910	1	SURFACING WARNING LABEL KIT	Certified	0.05			1	0	0.25	0.00	0
30	ZZUN9930	1	PIPE SYSTEMS MAINTENANCE KIT W/ AEROSOL	N/A				90				
<b>Totals:</b>					<b>3,587.39</b>	<b>431</b>	<b>857</b>	<b>10,575</b>	<b>43</b>	<b>52.50</b>	<b>2.75</b>	<b>15</b>
					<b>1,614.33 Kg</b>	<b>194 Kg</b>	<b>386 Kg</b>	<b>11 Metric Tons</b>				<b>2.09 m3</b>



# Fun Factory

Design Number: 350-1801 - Compliance and Technical Data

Reference Document: ASTM F1487

Ref. No.	Part No.	Qty.	Description	Unit ASTM Status	Total Weight (lbs)	Pre-Consumer Recycled Content (lbs)	Post-Consumer Content (lbs)	CO2e Footprint (kgs)	Users	Install Hours	Concrete (Yds3)	Active Play Events
----------	----------	------	-------------	------------------	--------------------	-------------------------------------	-----------------------------	----------------------	-------	---------------	-----------------	--------------------

## ASTM F1487

The lay-out for this custom playscape, design number 350-1801, has been configured to meet the requirements of the ASTM F1487 standard. In addition, each of the above components listed as "Certified" have been tested and are IPEMA certified. Components listed as "Not Applicable" do not fall within the scope of the ASTM F1487 standard and have not been tested. IPEMA certification can be verified on the IPEMA website, [www.ipema.org](http://www.ipema.org). In the interest of playground safety, IPEMA provides a Third Party Certification Service which validates compliance.

## 2010 ADA Standards for Accessible Design

The lay-out was also designed to meet the 2010 Standards published 15-Sep-2010, by the Department of Justice when installed over a properly maintained surfacing material that is in compliance with ASTM F1951 "Accessibility of Surface Systems Under and Around Playground Equipment" as well as ASTM F1292, "Impact Attenuation of Surfacing Materials Within the Use Zone of Playground Equipment", appropriate for the fall height of the structure.

## Installation Times

Installation times are based on one experienced installer. A crew of three experienced individuals can perform the installation within the given time, each member working 1/3 of the given hours. [Eg. Installation Time = 30 hours. For a crew of three, each member will work 10 hours on the installation for a total of 30 hours on the project.]

## Carbon Footprint

The CO2e (carbon footprint given in Kilograms and Metric Tons) listed above is a measure of the environmental impact this play structure represents from harvesting raw materials to the time it leaves our shipping dock. Playworld Systems nurtures a total corporate culture that is focused on eliminating carbon producing processes and products, reducing our use of precious raw materials, reusing materials whenever possible and recycling materials at every opportunity. Playworld Systems elected to adopt the Publicly Available Specification; PAS 2050 as published by the British Standards Institute and sponsored by Defra and the Carbon Trust. The PAS 2050 has gained international acceptance as a specification that measures the greenhouse gas emissions in services and goods throughout their entire life cycle.

## Pre-Consumer Recycle Content

A measurement, in pounds, that qualifies the amount of material that was captured as waste and diverted from landfill during an initial manufacturing process and is being redirected to a separate manufacturing process to become a different product. E.g. 100% of our Aluminum Tubing is made from captured waste material during the manufacturing process of extruded Aluminum products such as rods, flat bars and H-channels.

## Post-Consumer Recycle Content

A measurement, in pounds, that qualifies the amount of material that was once another product that has completed its lifecycle and has been diverted from a landfill as a solid waste through recycling and is now being used in a Playworld Systems' product. E.g. \*\*20% to 40% of the steel in our steel tubing and sheet steel have been diverted from landfills. Automobiles are scrapped and recyclable steel is purchased by the steel mill that produces our raw product.

\*\* The amount of Post-Consumer recycled steel fluctuates daily based on the availability of the recycled steel.

