

Crown Jewels

Equipment Manufacturer



350-1807



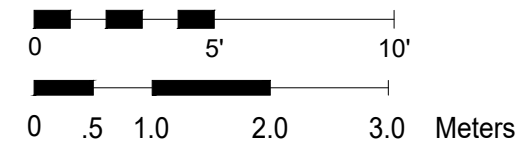
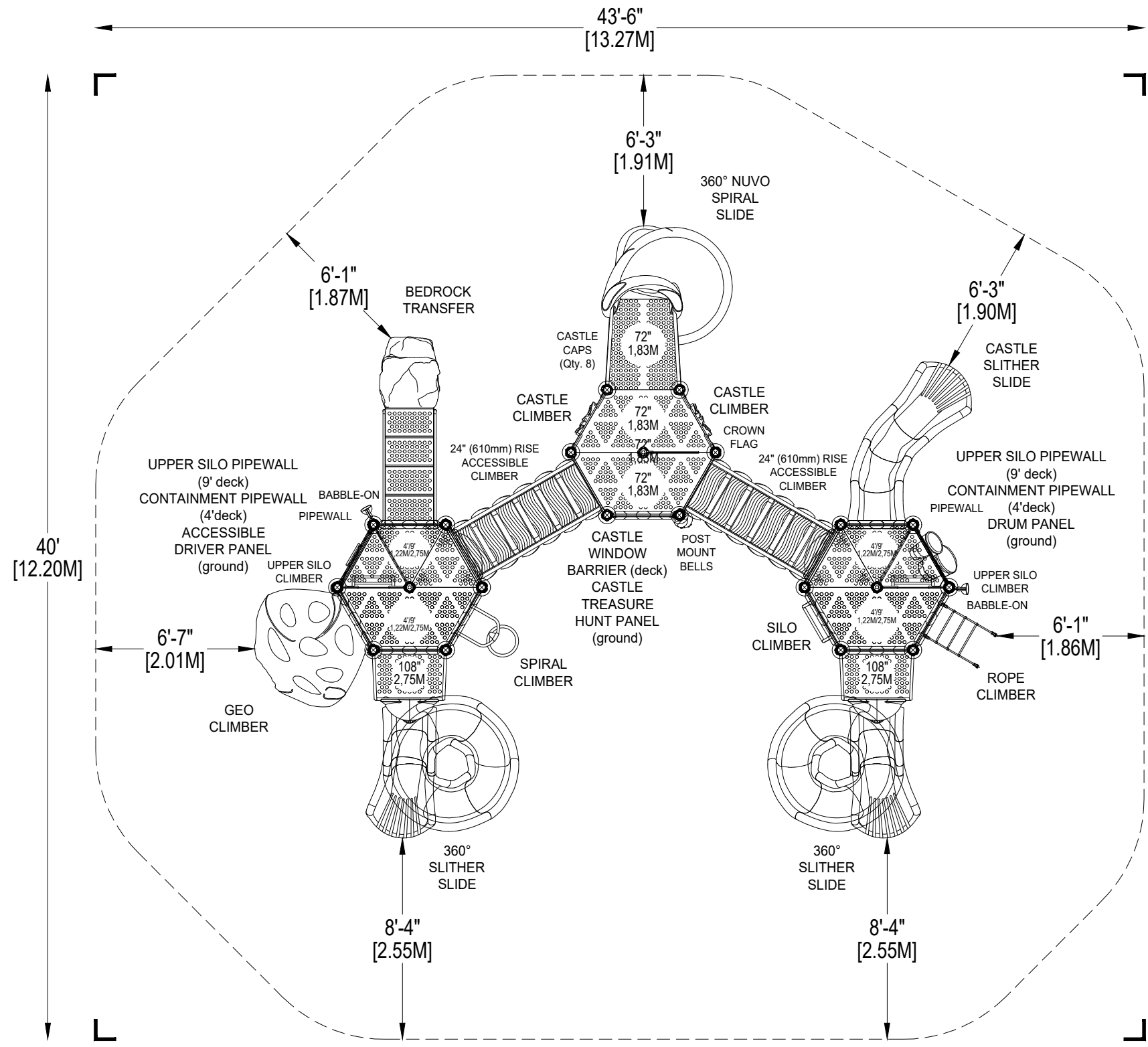
Crown Jewels

Equipment Manufacturer



350-1807





*PLAYGROUND SUPERVISION REQUIRED



PLAYWORLD SYSTEMS, INC.
 1000 Buffalo Road
 Lewisburg, PA
 17837-9795 USA

EQUIPMENT SIZE:
30'10" x 25'5" x 16'9"
 9,4M x 7,75M x 5,11M

USE ZONE:
43'6" x 40'
 13,27M x 12,20M

AREA: **1,477 SqFt.** PERIMETER: **140 Ft.**
 137,21 SqM. 42,67M

FALL HEIGHT:
9 Ft.
 2,75M

USER CAPACITY: **75** AGE GROUP: **5-12**

ADA SCHEDULE	Total Elevated Play Activities: 14		
	Total Ground-Level Play Activities: 5		
	Accessible Elevated Activities	Accessible Ground-Level Activities	Accessible Ground-Level Play Types
Required	7	5	3
Provided	10	5	3

✓ ASTM F1487-11
 ✓ CPSC #325

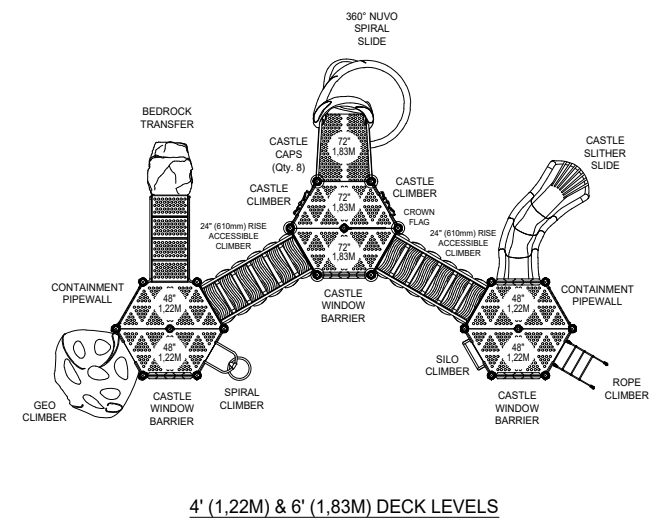


PROJECT NO: 350-1807	SCALE: 3/16"=1'-0"
DRAWN BY: M. MERTZ	Paper Size B
DATE: 30-OCT-17	

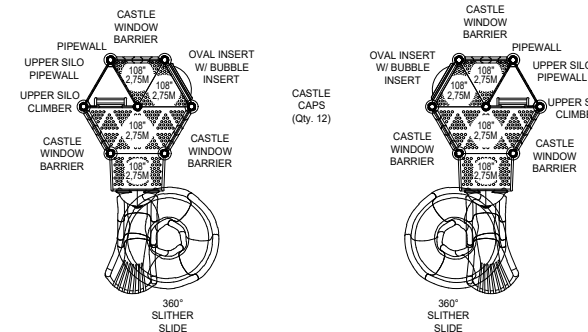
CROWN JEWELS
 CATALOG PRE-DESIGN

NOTES:

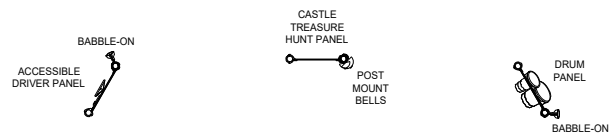
- 1) This tower detail is a diagram of the individual level layouts of the tower portion of your play structure, showing the detailed component layout of each level.
- 2) This tower detail is not to scale and is meant for reference purposes only. It should not be used in obtaining accurate measurements for any of the equipment shown unless otherwise noted on the drawing.
- 3) This design configuration is the property of this firm and Playworld Systems® and may not be reproduced or used in any manner without the expressed written consent of this firm and Playworld Systems®.



4' (1,22M) & 6' (1,83M) DECK LEVELS



9' (2,75M) DECK LEVEL



GROUND-LEVEL

TOWER DETAIL:

Detail 1

PROJECT NO: 350-1807	SCALE: NOT TO SCALE
DRAWN BY: M. MERTZ	Paper Size B
DATE: 30-OCT-17	

Crown Jewels

Design Number: 350-1807 - Bill Of Material

Ref. No.	Part No.	Description	Quantity
Posts			
1	ZZCH0069	3.5in OD x 184in STEEL POST W/O CAP	6
2	ZZCH0076	3.5in OD x 200in STEEL POST W/RIVETED CAP	2
3	ZZCH0258	3.5in OD x 224in STEEL POST W/CAP	1
4	ZZCH0259	3.5in OD x 224in STEEL POST W/O CAP	12
Decks & Kick Plates			
5	ZZCH0617	TRIANGULAR COATED DECK ASSEMBLY	4
6	ZZCH0618	1/2 HEX COATED DECK ASSEMBLY	8
7	ZZUN2290	COATED DECK TO DECK CONNECTION KIT	10
ADA Items			
8	ZZCH8230	DECK TO DECK ACCESSIBLE CLIMBER (24in RISE)	2
9	ZZCH8819	BEDROCK TRANSFER- 48in BARRIER	1
Slides			
10	ZZCH3216	SLITHER SLIDE 2.0 BALCONY ENTRY/EXIT	2
11	ZZCH3540	SLIDE- NUVO 360 SPIRAL SLIDE - SERPENT	1
12	ZZCH8510	SLITHER SLIDE ENTRY/EXIT (CASTLE THEME)	1
13	ZZUN3207	SLITHER SLIDE 2.0 (STRAIGHT SECTION)	2
14	ZZUN3208	SLITHER SLIDE 2.0 (RIGHT SECTION)	2
15	ZZUN3217	SLITHER SLIDE 2.0 (RIGHT 120° SECTION)	3
16	ZZUN3218	SLITHER SLIDE 2.0 (LEFT 120° SECTION)	3
17	ZZUN3247	SLITHER SLIDE 2.0 SUPPORT LEG 5ft-6in	2
18	ZZUN3256	SLITHER SLIDE 2.0 SUPPORT LEG 2ft-6in	2
Activity Panels			
19	ZZCH4406	ACCESSIBLE DRIVING PANEL	1
20	ZZCH8516	CASTLE WINDOW BARRIER (DECK)	9
21	ZZCH8519	CASTLE TREASURE HUNT (GROUND)	1
Barriers			
22	ZZCH4095	CENTERLINE PIPE WALL BARRIER	2
23	ZZCH4456	UPPER SILO CLIMBER EXTENDED BARRIER	2
24	ZZCH4745	CONTAINMENT PIPE WALL (HEX TOWER)	2
25	ZZCH4811	OVAL BUBBLE PANEL (DECK MOUNT)	2
Climbers			
26	ZZCH6756	4ft GEO CLIMBER	1
27	ZZCH7237	ROPE LADDER- 48in DECK	1
28	ZZCH7945	UPPER SILO CLIMBER	2
29	ZZCH7950	SILO CLIMBER (48in DECK)	1
30	ZZCH8150	SPIRAL CLIMBER (48in DECK)	1
31	ZZCH8520	CASTLE CLIMBER (72in DECK)	2
Audible Activities			
32	ZZCH4467	GROUND TO GROUND BABBLE-ON	1
33	ZZCH4556	7in BELL (POST MOUNT)	1
34	ZZCH4558	9in BELL (POST MOUNT)	1
35	ZZCH4587	DRUM PANEL (GROUND LEVEL)	1

Crown Jewels

Design Number: 350-1807 - Bill Of Material

Ref. No.	Part No.	Description	Quantity
Roofs & Arches			
36	ZZCH8506	CASTLE CAP	18
37	ZZCH8537	POST FLAG - CROWN	1
Additional Tool & Maintenance Kits			
38	ZZCHGUID	CHALLENGER GUIDELINES	1
39	ZZUN9910	SURFACING WARNING LABEL KIT	1
40	ZZUN9930	PIPE SYSTEMS MAINTENANCE KIT W/ AEROSOL	1



Crown Jewels

Design Number: 350-1807 - Compliance and Technical Data

Reference Document: ASTM F1487

Ref. No.	Part No.	Qty.	Description	Unit ASTM Status	Total Weight (lbs)	Pre-Consumer Recycled Content (lbs)	Post-Consumer Content (lbs)	CO2e Footprint (kgs)	Users	Install Hours	Concrete (Yds3)	Active Play Events
1	ZZCH0069	6	3.5in OD x 184in STEEL POST W/O CAP	Certified	340.26			438	0	6.00	0.75	0
2	ZZCH0076	2	3.5in OD x 200in STEEL POST W/RIVETED CAP	Certified	122.02			168	0	2.00	0.25	0
3	ZZCH0258	1	3.5in OD x 224in STEEL POST W/CAP	Certified	65.51			93	0	1.00	0.13	0
4	ZZCH0259	12	3.5in OD x 224in STEEL POST W/O CAP	Certified	774.12			1,067	0	12.00	1.56	0
5	ZZCH0617	4	TRIANGULAR COATED DECK ASSEMBLY	Certified	119.60			480	8	4.00	0.00	0
6	ZZCH0618	8	1/2 HEX COATED DECK ASSEMBLY	Certified	626.56			2,015	32	12.00	0.00	0
7	ZZUN2290	10	COATED DECK TO DECK CONNECTION KIT	Certified	2.90			38	0	5.00	0.00	0
8	ZZCH8230	2	DECK TO DECK ACCESSIBLE CLIMBER (24in RISE)	Certified	591.20			1,788	4	3.00	0.00	2
9	ZZCH8819	1	BEDROCK TRANSFER- 48in BARRIER	Certified	916.33			2,889	3	3.50	0.22	1
10	ZZCH3216	2	SLITHER SLIDE 2.0 BALCONY ENTRY/EXIT	Certified	324.12			1,265	4	5.00	0.06	2
11	ZZCH3540	1	SLIDE- NUVO 360 SPIRAL SLIDE - SERPENT	Certified	460.74			2,152	0	6.00	0.15	0
12	ZZCH8510	1	SLITHER SLIDE ENTRY/EXIT (CASTLE THEME)	Certified	92.99			675	2	2.00	0.03	1
13	ZZUN3207	2	SLITHER SLIDE 2.0 (STRAIGHT SECTION)	Certified	39.18			256	0	0.50	0.00	0
14	ZZUN3208	2	SLITHER SLIDE 2.0 (RIGHT SECTION)	Certified	39.18			267	0	0.50	0.00	0
15	ZZUN3217	3	SLITHER SLIDE 2.0 (RIGHT 120° SECTION)	Certified	125.04			695	0	0.75	0.00	0
16	ZZUN3218	3	SLITHER SLIDE 2.0 (LEFT 120° SECTION)	Certified	125.04			695	0	0.75	0.00	0
17	ZZUN3247	2	SLITHER SLIDE 2.0 SUPPORT LEG 5ft-6in	Certified	38.82			140	0	0.50	0.06	0
18	ZZUN3256	2	SLITHER SLIDE 2.0 SUPPORT LEG 2ft-6in	Certified	25.62			118	0	0.50	0.06	0
19	ZZCH4406	1	ACCESSIBLE DRIVING PANEL	Certified	24.07			202	1	0.50	0.00	1
20	ZZCH8516	9	CASTLE WINDOW BARRIER (DECK)	Certified	370.71			3,194	0	4.50	0.00	0
21	ZZCH8519	1	CASTLE TREASURE HUNT (GROUND)	Certified	42.56			416	1	2.00	0.00	1
22	ZZCH4095	2	CENTERLINE PIPE WALL BARRIER	Certified	57.48			142	0	1.00	0.00	0
23	ZZCH4456	2	UPPER SILO CLIMBER EXTENDED BARRIER	Certified	60.56			151	0	1.00	0.00	0
24	ZZCH4745	2	CONTAINMENT PIPE WALL (HEX TOWER)	Certified	73.20			204	0	1.00	0.00	0
25	ZZCH4811	2	OVAL BUBBLE PANEL (DECK MOUNT)	N/A	66.78			486	0	2.00	0.00	0
26	ZZCH6756	1	4ft GEO CLIMBER	Certified	114.52			528	2	2.00	0.09	1



Crown Jewels

Design Number: 350-1807 - Compliance and Technical Data

Reference Document: ASTM F1487

Ref. No.	Part No.	Qty.	Description	Unit ASTM Status	Total Weight (lbs)	Pre-Consumer Recycled Content (lbs)	Post-Consumer Content (lbs)	CO2e Footprint (kgs)	Users	Install Hours	Concrete (Yds3)	Active Play Events
27	ZZCH7237	1	ROPE LADDER- 48in DECK	Certified	51.79			345	1	2.00	0.06	1
28	ZZCH7945	2	UPPER SILO CLIMBER	Certified	273.88			518	2	4.00	0.00	2
29	ZZCH7950	1	SILO CLIMBER (48in DECK)	Certified	74.18			134	1	1.50	0.06	1
30	ZZCH8150	1	SPIRAL CLIMBER (48in DECK)	Certified	86.33			204	2	1.00	0.03	1
31	ZZCH8520	2	CASTLE CLIMBER (72in DECK)	Certified	181.38			1,469	4	0.00	0.00	2
32	ZZCH4467	1	GROUND TO GROUND BABBLE-ON	Certified	43.15			240	2	1.50	0.00	1
33	ZZCH4556	1	7in BELL (POST MOUNT)	Certified	4.61			41	1	0.25	0.00	1
34	ZZCH4558	1	9in BELL (POST MOUNT)	Certified	6.21			45	1	0.25	0.00	1
35	ZZCH4587	1	DRUM PANEL (GROUND LEVEL)	Certified	44.64			407	2	1.00	0.00	1
36	ZZCH8506	18	CASTLE CAP	Certified	60.30			841	0	4.50	0.00	0
37	ZZCH8537	1	POST FLAG - CROWN	Certified	12.30			129	0	0.25	0.00	0
38	ZZCHGUID	1	CHALLENGER GUIDELINES	N/A	0.00			1	0	0.25	0.00	0
39	ZZUN9910	1	SURFACING WARNING LABEL KIT	Certified	0.05			1	0	0.25	0.00	0
40	ZZUN9930	1	PIPE SYSTEMS MAINTENANCE KIT W/ AEROSOL	N/A				90				
Totals:					6,477.93	803	1,431	25,024	73	95.75	3.51	20
					2,915.07 Kg	361 Kg	644 Kg	25 Metric Tons			2.67 m3	



Crown Jewels

Design Number: 350-1807 - Compliance and Technical Data

Reference Document: ASTM F1487

Ref. No.	Part No.	Qty.	Description	Unit ASTM Status	Total Weight (lbs)	Pre-Consumer Recycled Content (lbs)	Post-Consumer Content (lbs)	CO2e Footprint (kgs)	Users	Install Hours	Concrete (Yds3)	Active Play Events
----------	----------	------	-------------	------------------	--------------------	-------------------------------------	-----------------------------	----------------------	-------	---------------	-----------------	--------------------

ASTM F1487

The lay-out for this custom playscape, design number 350-1807, has been configured to meet the requirements of the ASTM F1487 standard. In addition, each of the above components listed as "Certified" have been tested and are IPEMA certified. Components listed as "Not Applicable" do not fall within the scope of the ASTM F1487 standard and have not been tested. IPEMA certification can be verified on the IPEMA website, www.ipema.org. In the interest of playground safety, IPEMA provides a Third Party Certification Service which validates compliance.

2010 ADA Standards for Accessible Design

The lay-out was also designed to meet the 2010 Standards published 15-Sep-2010, by the Department of Justice when installed over a properly maintained surfacing material that is in compliance with ASTM F1951 "Accessibility of Surface Systems Under and Around Playground Equipment" as well as ASTM F1292, "Impact Attenuation of Surfacing Materials Within the Use Zone of Playground Equipment", appropriate for the fall height of the structure.

Installation Times

Installation times are based on one experienced installer. A crew of three experienced individuals can perform the installation within the given time, each member working 1/3 of the given hours. [Eg. Installation Time = 30 hours. For a crew of three, each member will work 10 hours on the installation for a total of 30 hours on the project.]

Carbon Footprint

The CO2e (carbon footprint given in Kilograms and Metric Tons) listed above is a measure of the environmental impact this play structure represents from harvesting raw materials to the time it leaves our shipping dock. Playworld Systems nurtures a total corporate culture that is focused on eliminating carbon producing processes and products, reducing our use of precious raw materials, reusing materials whenever possible and recycling materials at every opportunity. Playworld Systems elected to adopt the Publicly Available Specification; PAS 2050 as published by the British Standards Institute and sponsored by Defra and the Carbon Trust. The PAS 2050 has gained international acceptance as a specification that measures the greenhouse gas emissions in services and goods throughout their entire life cycle.

Pre-Consumer Recycle Content

A measurement, in pounds, that qualifies the amount of material that was captured as waste and diverted from landfill during an initial manufacturing process and is being redirected to a separate manufacturing process to become a different product. E.g. 100% of our Aluminum Tubing is made from captured waste material during the manufacturing process of extruded Aluminum products such as rods, flat bars and H-channels.

Post-Consumer Recycle Content

A measurement, in pounds, that qualifies the amount of material that was once another product that has completed its lifecycle and has been diverted from a landfill as a solid waste through recycling and is now being used in a Playworld Systems' product. E.g. **20% to 40% of the steel in our steel tubing and sheet steel have been diverted from landfills. Automobiles are scrapped and recyclable steel is purchased by the steel mill that produces our raw product.

** The amount of Post-Consumer recycled steel fluctuates daily based on the availability of the recycled steel.

