

Monkey Business

Equipment Manufacturer



500-1735



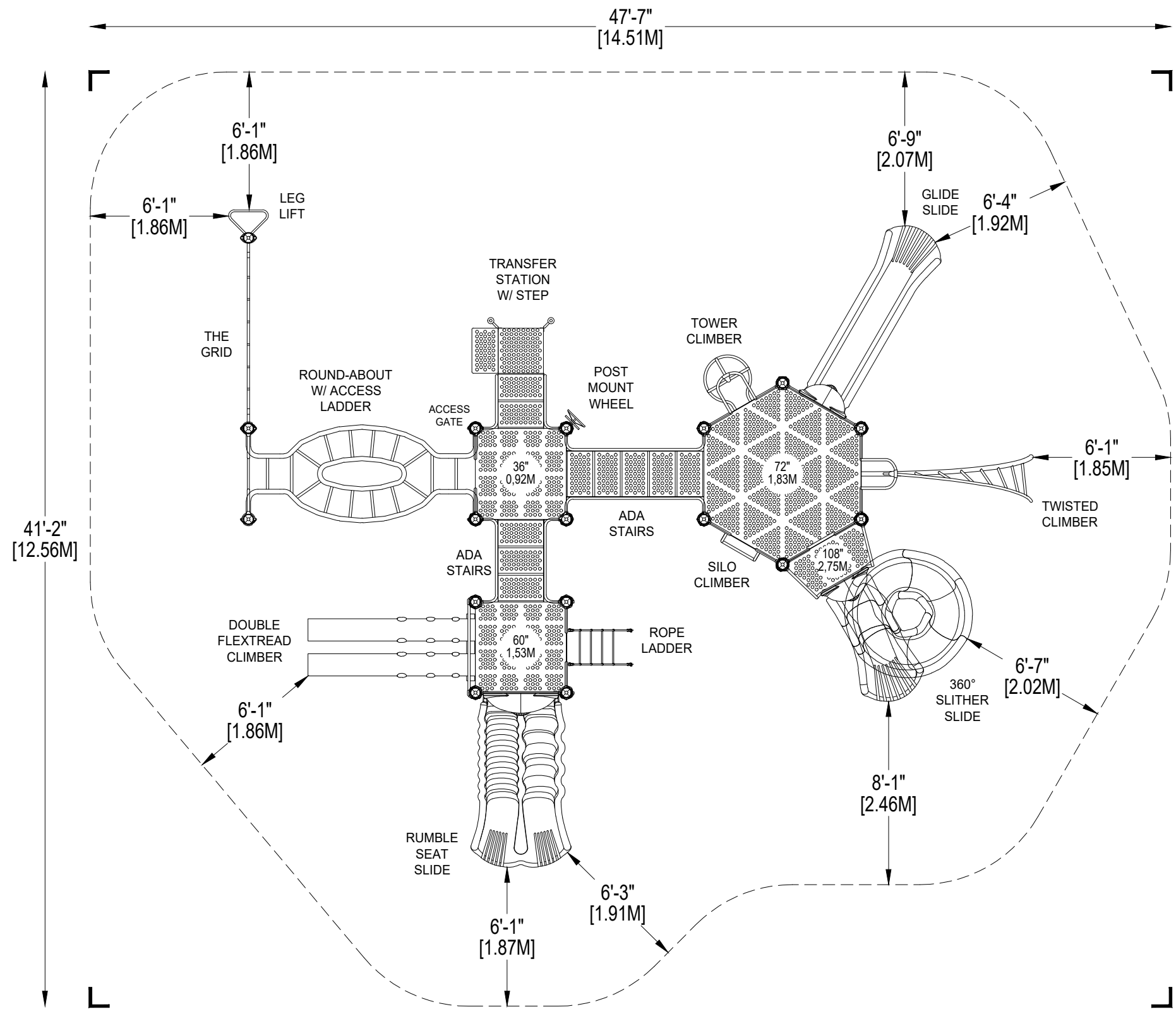
Monkey Business

Equipment Manufacturer



500-1735





PLAYWORLD SYSTEMS, INC.
 1000 Buffalo Road
 Lewisburg, PA
 17837-9795 USA

EQUIPMENT SIZE:
35'5" x 29'0" x 13'2"
 10,8M x 8,84M x 4,01M

USE ZONE:
47'7" x 41'2"
 14,51M X 12,58M

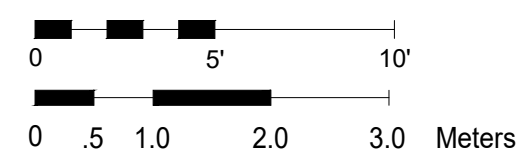
AREA: **1,613 SqFt.** PERIMETER: **150 Ft.**
 149,85 SqM. 45,72M

FALL HEIGHT:
9 Ft.
 2,75M

USER CAPACITY: **49** AGE GROUP: **5-12**

ADA SCHEDULE	Total Elevated Play Activities: 9		
	Total Ground-Level Play Activities: 3		
	Accessible Elevated Activities	Accessible Ground-Level Activities	Accessible Ground-Level Play Types
Required	5	3	3
Provided	8	3	3

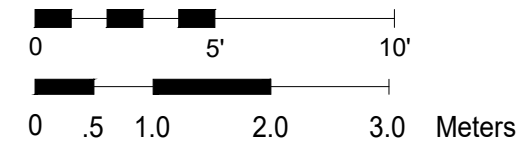
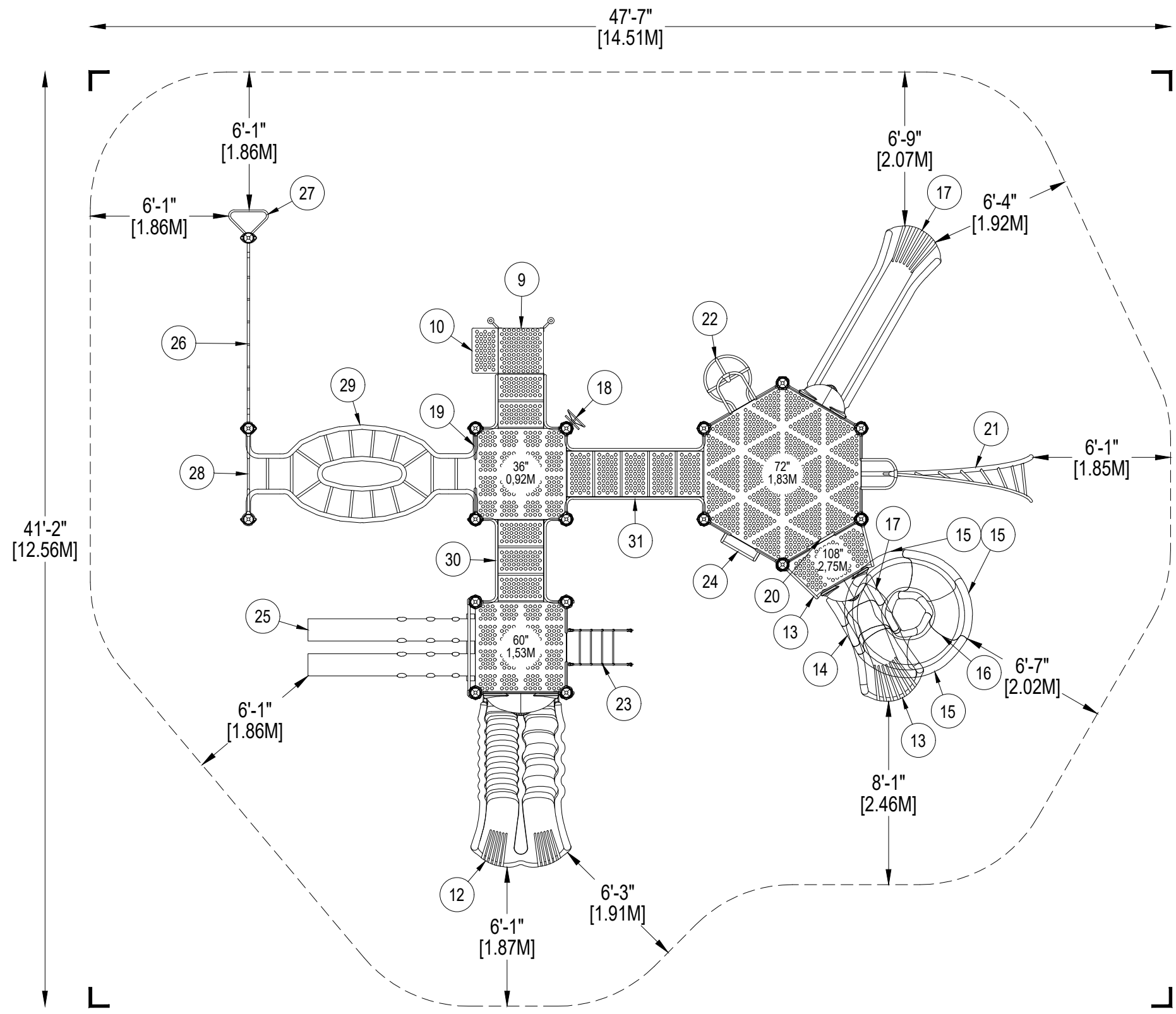
- ✓ ASTM F1487-17
- ✓ CPSC #325



*PLAYGROUND SUPERVISION REQUIRED

500-1735
 CATALOG PRE-DESIGN

PROJECT NO: 500-1735A	SCALE: 3/16"=1'-0"
DRAWN BY: M. MERTZ	Paper Size B
DATE: 21-DEC-17	



*PLAYGROUND SUPERVISION REQUIRED



PLAYWORLD SYSTEMS, INC.
 1000 Buffalo Road
 Lewisburg, PA
 17837-9795 USA

EQUIPMENT SIZE:
35'5" x 29'0" x 13'2"
 10,8M x 8,84M x 4,01M

USE ZONE:
47'7" x 41'2"
 14,51M X 12,58M

AREA: **1,613 SqFt.** PERIMETER: **150 Ft.**
 149,85 SqM. 45,72M

FALL HEIGHT:
9 Ft.
 2,75M

USER CAPACITY: **49** AGE GROUP: **5-12**

ADA SCHEDULE	Total Elevated Play Activities: 9		
	Total Ground-Level Play Activities: 3		
	Accessible Elevated Activities	Accessible Ground-Level Activities	Accessible Ground-Level Play Types
Required	5	3	3
Provided	8	3	3

✓ ASTM F1487-17
 ✓ CPSC #325

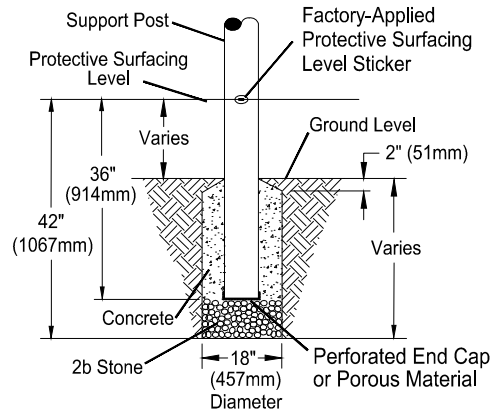


PROJECT NO: 500-1735A	SCALE: 3/16"=1'-0"
DRAWN BY: M. MERTZ	Paper Size B
DATE: 21-DEC-17	

500-1735
 CATALOG PRE-DESIGN

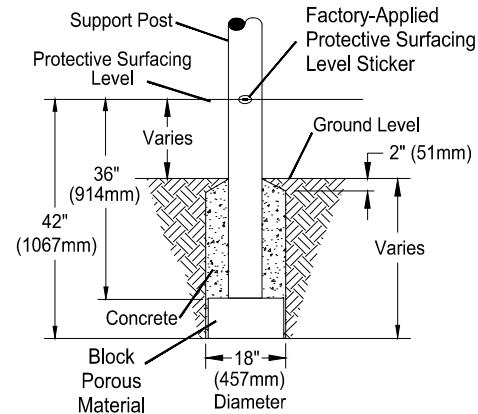
DETAIL 1

Support Post, Spiral Slide and RockBlocks Post Footing Detail



STONE OPTION

OR



BLOCK OPTION

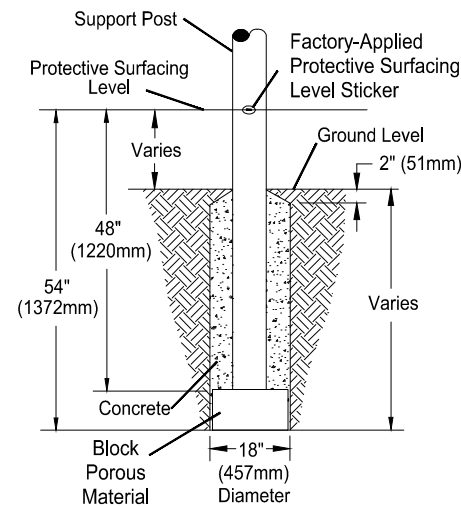
DETAIL 2

GroundZero, Cantilever and "T" Post Footing Detail



STONE OPTION

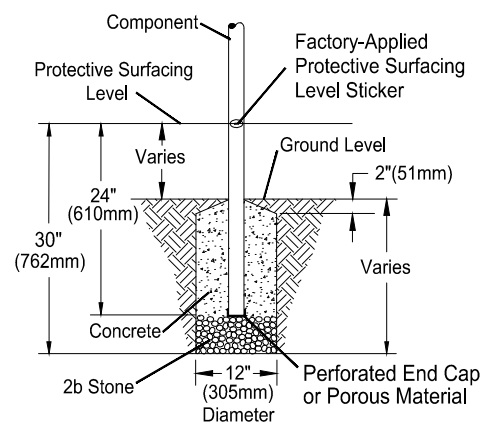
OR



BLOCK OPTION

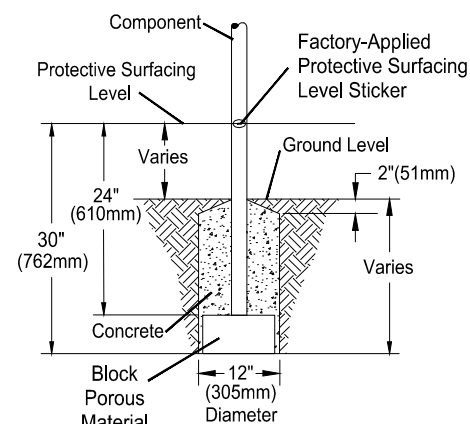
DETAIL 3

Component Footing Detail



STONE OPTION

OR



BLOCK OPTION

DETAIL 4

Surface Mount Detail



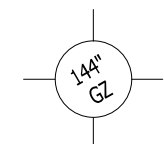
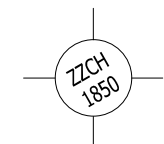
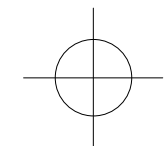
INSTALLATION NOTES:

- 1) Paved surfaces, such as asphalt and concrete, are not acceptable for use under your structure.
- 2) It is the consumer's responsibility to check with local utilities prior to excavating footings for any underground utility lines that may exist within the installation area.
- 3) It is the consumer's responsibility to check local soil conditions and drainage within the site area. Inquire with local contractors for appropriate recommendations.
- 4) If the structure is to be installed across uneven terrain, maintain the support post mark for protective surfacing level at the lowest grade. Adjust other footings accordingly.
- 5) The base of footings must be below frost lines.
- 6) Do not encase the bottom of support posts in concrete. Place all posts directly on packed stone.
- 7) Assemble the entire structure before pouring concrete unless specifically instructed to do so in the individual component installation instructions.
- 8) Read completely the installation instructions provided with your structure prior to beginning construction.

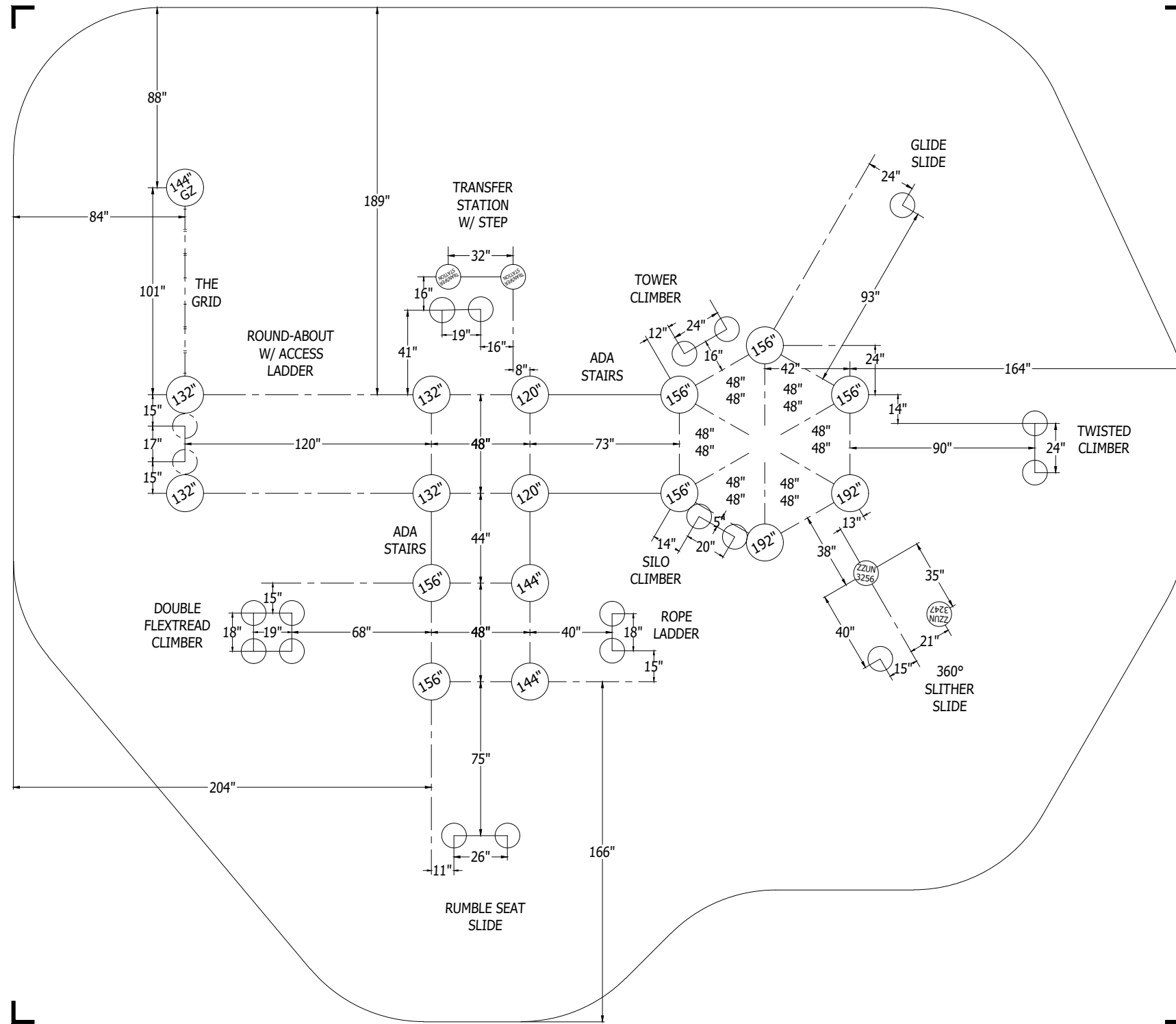
SITE NOTES:

- 1) The site plan provided must be checked against the actual site area to ensure that placement of your structure meets required clearances.
- 2) The dimensions labeled are for location of footing holes, not exact placement of equipment. Assemble, plumb, and level equipment before pouring concrete.
- 3) There must be a minimum distance of 6' (1830mm) between any obstacle, sidewalk, etc., and your structure.
- 4) Slides must have a use zone that extends out from the lower exit section of the slide a distance that is at least 6' (1830mm) or equal to the vertical distance from the highest point of the sliding surface to the top of the protective surfacing, whichever is greater. The slide use zone should not extend greater than 8' (2438mm) from the end of the lower exit section.
- 5) The complete area, including the space under and around the equipment, must be covered with an impact attenuating material. See the 1997 publication, "Handbook for Public Playground Safety", published by the U.S. Consumer Product Safety Commission, for guidelines and recommendations on the type and depth of surfacing material. For a copy of the "Handbook for Public Playground Safety", write to: **U.S. Consumer Product Safety Commission**, Office of Information and Public Affairs, Washington, D.C. 20207
- 6) Supervise children as they play.

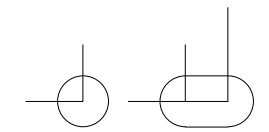
FOOTING LEGEND



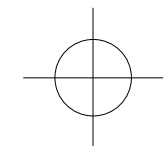
FOOTING DETAIL	SCALE: NOT TO SCALE
DRAWN BY: TECH SALES	Paper Size B
DATE: 28-JUNE-13	



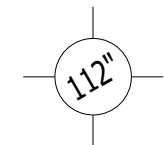
FOOTING LEGEND



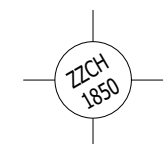
COMPONENT FOOTING (DETAIL 3)



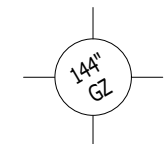
SPIRAL SLIDE CENTER POST FOOTING (DETAIL 1)



SUPPORT POST FOOTING (DETAIL 1 or 4)
 (112" INDICATES POST LENGTH)



CANTILEVER, "T" POST, AND COMPONENT
 POST FOOTING (DETAIL 2)
 (ZZCH1850 INDICATES PART NUMBER)



GROUND ZERO POST FOOTING (DETAIL 2)
 (144" INDICATES POST LENGTH)

PROJECT NO:
500-1735A

SCALE:
3/16"=1'-0"

DRAWN BY:
M. MERTZ

Paper Size

DATE:
21-DEC-17

B

Monkey Business

Design Number: 500-1735A - Bill Of Material

Ref. No.	Part No.	Description	Quantity
Posts			
1	ZZPM0016	5in OD X 120in STEEL POST W/ RIVETED CAP	2
2	ZZPM0026	5in OD X 132in STEEL POST W/ RIVETED CAP	4
3	ZZPM0036	5in OD X 144in STEEL POST W/ RIVETED CAP	2
4	ZZPM0036GZ	5in OD X 144in STEEL POST (GROUND ZERO)	1
5	ZZPM0046	5in OD X 156in STEEL POST W/ RIVETED CAP	6
6	ZZPM0128	5in OD x 192in STEEL POST W/RIVETED CAP	2
Decks & Kick Plates			
7	ZZPM0616	SQUARE COATED DECK ASSEMBLY	2
8	ZZPM0619	HEX COATED DECK ASSEMBLY	1
ADA Items			
9	ZZPM2007	TRANSFER STATION w/TALL GUARDRAIL (36in DECK)	1
10	ZZUN2019	APPROACH STEP FOR TRANSFER STATION	1
Slides			
11	ZZPM2696	GLIDE SLIDE (72in DECK)	1
12	ZZPM2737	RUMBLE SEAT (60in DECK)	1
13	ZZPM3216	SLITHER SLIDE 2.0 BALCONY ENTRY/EXIT	1
14	ZZUN3207	SLITHER SLIDE 2.0 (STRAIGHT SECTION)	1
15	ZZUN3218	SLITHER SLIDE 2.0 (LEFT 120° SECTION)	3
16	ZZUN3247	SLITHER SLIDE 2.0 SUPPORT LEG 5ft-6in	1
17	ZZUN3256	SLITHER SLIDE 2.0 SUPPORT LEG 2ft-6in	1
Activity Panels			
18	ZZPM4290	STEERING WHEEL (POST MOUNT)	1
Barriers			
19	ZZPM4288	ACCESS GATE	1
Climbers			
20	ZZPM6210	36in DECK TO DECK CLIMBER	1
21	ZZPM7160	6ft TWISTED CLIMBER	1
22	ZZPM7168	6ft TOWER CLIMBER	1
23	ZZPM7238	ROPE LADDER- 60in DECK	1
24	ZZPM7957	SILO CLIMBER (72in DECK)	1
25	ZZPM8269	60in DOUBLE FLEX TREAD	1
Ground Zer0 Climbers			
26	ZZPM8408	THE GRID	1
Overhead Events			
27	ZZPM5770	LEG LIFT	1
28	ZZPM5970	OVERHEAD EVENT ACCESS LADDER (36in DECK)	1
29	ZZPM6966	10ft ROUNDABOUT HORIZONTAL LADDER	1
Stairs and Ladders			
30	ZZPM9170	24in ACCESSIBLE STEPPED PLATFORM (DECK TO DECK)	1
31	ZZPM9177	36in ACCESSIBLE STEPPED PLATFORM (DECK TO DECK)	1
Additional Tool & Maintenance Kits			
32	ZZPMGUID	PLAYMAKER GUIDELINES	1



Monkey Business

Design Number: 500-1735A - Bill Of Material

Ref. No.	Part No.	Description	Quantity
33	ZZUN9910	SURFACING WARNING LABEL KIT	1
34	ZZUN9930	PIPE SYSTEMS MAINTENANCE KIT W/ AEROSOL	1



Monkey Business

Design Number: 500-1735A - Compliance and Technical Data

Reference Document: ASTM F1487

Ref. No.	Part No.	Qty.	Description	Unit ASTM Status	Total Weight (lbs)	Pre-Consumer Recycled Content (lbs)	Post-Consumer Content (lbs)	CO2e Footprint (kgs)	Users	Install Hours	Concrete (Yds3)	Active Play Events
1	ZZPM0016	2	5in OD X 120in STEEL POST W/ RIVETED CAP	Certified	134.22			199	0	2.00	0.26	0
2	ZZPM0026	4	5in OD X 132in STEEL POST W/ RIVETED CAP	Certified	296.84			434	0	4.00	0.48	0
3	ZZPM0036	2	5in OD X 144in STEEL POST W/ RIVETED CAP	Certified	161.82			235	0	2.00	0.26	0
4	ZZPM0036GZ	1	5in OD X 144in STEEL POST (GROUND ZERO)	Certified	80.41			117	0	1.50	0.18	0
5	ZZPM0046	6	5in OD X 156in STEEL POST W/ RIVETED CAP	Certified	526.26			758	0	6.00	0.78	0
6	ZZPM0128	2	5in OD x 192in STEEL POST W/RIVETED CAP	Certified	212.62			307	0	2.00	0.24	0
7	ZZPM0616	2	SQUARE COATED DECK ASSEMBLY	Certified	180.72			441	8	2.00	0.00	0
8	ZZPM0619	1	HEX COATED DECK ASSEMBLY	Certified	228.72			638	8	2.00	0.00	0
9	ZZPM2007	1	TRANSFER STATION w/TALL GUARDRAIL (36in DECK)	Certified	155.24			329	2	2.00	0.09	0
10	ZZUN2019	1	APPROACH STEP FOR TRANSFER STATION	Certified	35.83			72	1	1.00	0.04	0
11	ZZPM2696	1	GLIDE SLIDE (72in DECK)	Certified	163.44			678	2	2.00	0.03	1
12	ZZPM2737	1	RUMBLE SEAT (60in DECK)	Certified	203.20			768	4	3.00	0.06	1
13	ZZPM3216	1	SLITHER SLIDE 2.0 BALCONY ENTRY/EXIT	Certified	166.60			648	2	2.50	0.03	1
14	ZZUN3207	1	SLITHER SLIDE 2.0 (STRAIGHT SECTION)	Certified	19.59			128	0	0.25	0.00	0
15	ZZUN3218	3	SLITHER SLIDE 2.0 (LEFT 120° SECTION)	Certified	125.04			695	0	0.75	0.00	0
16	ZZUN3247	1	SLITHER SLIDE 2.0 SUPPORT LEG 5ft-6in	Certified	19.41			70	0	0.25	0.03	0
17	ZZUN3256	1	SLITHER SLIDE 2.0 SUPPORT LEG 2ft-6in	Certified	12.81			59	0	0.25	0.03	0
18	ZZPM4290	1	STEERING WHEEL (POST MOUNT)	Certified	8.67			47	1	0.25	0.00	1
19	ZZPM4288	1	ACCESS GATE	Certified	34.38			92	0	0.50	0.00	0
20	ZZPM6210	1	36in DECK TO DECK CLIMBER	Certified	81.88			200	1	1.00	0.00	1
21	ZZPM7160	1	6ft TWISTED CLIMBER	Certified	128.99			256	2	2.00	0.60	1
22	ZZPM7168	1	6ft TOWER CLIMBER	Certified	112.11			256	2	2.00	0.90	1
23	ZZPM7238	1	ROPE LADDER- 60in DECK	Certified	66.15			390	1	2.00	0.06	1



Monkey Business

Design Number: 500-1735A - Compliance and Technical Data

Reference Document: ASTM F1487

Ref. No.	Part No.	Qty.	Description	Unit ASTM Status	Total Weight (lbs)	Pre-Consumer Recycled Content (lbs)	Post-Consumer Content (lbs)	CO2e Footprint (kgs)	Users	Install Hours	Concrete (Yds3)	Active Play Events
24	ZZPM7957	1	SILO CLIMBER (72in DECK)	Certified	85.84			169	2	1.50	0.07	1
25	ZZPM8269	1	60in DOUBLE FLEX TREAD	Certified	208.71			1,169	2	4.00	0.12	1
26	ZZPM8408	1	THE GRID	Certified	107.63			231	3	0.75	0.00	1
27	ZZPM5770	1	LEG LIFT	Certified	7.20			33	1	0.50	0.00	1
28	ZZPM5970	1	OVERHEAD EVENT ACCESS LADDER (36in DECK)	Certified	26.16			77	1	1.50	0.06	0
29	ZZPM6966	1	10ft ROUNDABOUT HORIZONTAL LADDER	Certified	147.86			317	3	1.00	0.00	1
30	ZZPM9170	1	24in ACCESSIBLE STEPPED PLATFORM (DECK TO DECK)	Certified	174.86			374	1	2.00	0.00	0
31	ZZPM9177	1	36in ACCESSIBLE STEPPED PLATFORM (DECK TO DECK)	Certified	286.99			640	2	1.50	0.00	0
32	ZZPMGUID	1	PLAYMAKER GUIDELINES	N/A	0.00			1	0	0.25	0.00	0
33	ZZUN9910	1	SURFACING WARNING LABEL KIT	Certified	0.05			1	0	0.25	0.00	0
34	ZZUN9930	1	PIPE SYSTEMS MAINTENANCE KIT W/ AEROSOL	N/A				90				
Totals:					4,200.25	619	1,359	10,918	49	54.50	4.32	13
					1,890.11 Kg	279 Kg	612 Kg	11 Metric Tons				3.28 m3



Monkey Business

Design Number: 500-1735A - Compliance and Technical Data

Reference Document: ASTM F1487

Ref. No.	Part No.	Qty.	Description	Unit ASTM Status	Total Weight (lbs)	Pre-Consumer Recycled Content (lbs)	Post-Consumer Content (lbs)	CO2e Footprint (kgs)	Users	Install Hours	Concrete (Yds3)	Active Play Events
----------	----------	------	-------------	------------------	--------------------	-------------------------------------	-----------------------------	----------------------	-------	---------------	-----------------	--------------------

ASTM F1487

The lay-out for this custom playscape, design number 500-1735A, has been configured to meet the requirements of the ASTM F1487 standard. In addition, each of the above components listed as "Certified" have been tested and are IPEMA certified. Components listed as "Not Applicable" do not fall within the scope of the ASTM F1487 standard and have not been tested. IPEMA certification can be verified on the IPEMA website, www.ipema.org. In the interest of playground safety, IPEMA provides a Third Party Certification Service which validates compliance.

2010 ADA Standards for Accessible Design

The lay-out was also designed to meet the 2010 Standards published 15-Sep-2010, by the Department of Justice when installed over a properly maintained surfacing material that is in compliance with ASTM F1951 "Accessibility of Surface Systems Under and Around Playground Equipment" as well as ASTM F1292, "Impact Attenuation of Surfacing Materials Within the Use Zone of Playground Equipment", appropriate for the fall height of the structure.

Installation Times

Installation times are based on one experienced installer. A crew of three experienced individuals can perform the installation within the given time, each member working 1/3 of the given hours. [Eg. Installation Time = 30 hours. For a crew of three, each member will work 10 hours on the installation for a total of 30 hours on the project.]

Carbon Footprint

The CO2e (carbon footprint given in Kilograms and Metric Tons) listed above is a measure of the environmental impact this play structure represents from harvesting raw materials to the time it leaves our shipping dock. Playworld Systems nurtures a total corporate culture that is focused on eliminating carbon producing processes and products, reducing our use of precious raw materials, reusing materials whenever possible and recycling materials at every opportunity. Playworld Systems elected to adopt the Publicly Available Specification; PAS 2050 as published by the British Standards Institute and sponsored by Defra and the Carbon Trust. The PAS 2050 has gained international acceptance as a specification that measures the greenhouse gas emissions in services and goods throughout their entire life cycle.

Pre-Consumer Recycle Content

A measurement, in pounds, that qualifies the amount of material that was captured as waste and diverted from landfill during an initial manufacturing process and is being redirected to a separate manufacturing process to become a different product. E.g. 100% of our Aluminum Tubing is made from captured waste material during the manufacturing process of extruded Aluminum products such as rods, flat bars and H-channels.

Post-Consumer Recycle Content

A measurement, in pounds, that qualifies the amount of material that was once another product that has completed its lifecycle and has been diverted from a landfill as a solid waste through recycling and is now being used in a Playworld Systems' product. E.g. **20% to 40% of the steel in our steel tubing and sheet steel have been diverted from landfills. Automobiles are scrapped and recyclable steel is purchased by the steel mill that produces our raw product.

** The amount of Post-Consumer recycled steel fluctuates daily based on the availability of the recycled steel.

