

# Tower Tour

FUN-1499

Equipment Manufacturer





# Tower Tour

Equipment Manufacturer



FUN-1499



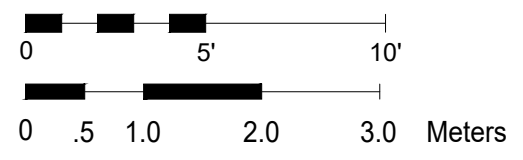
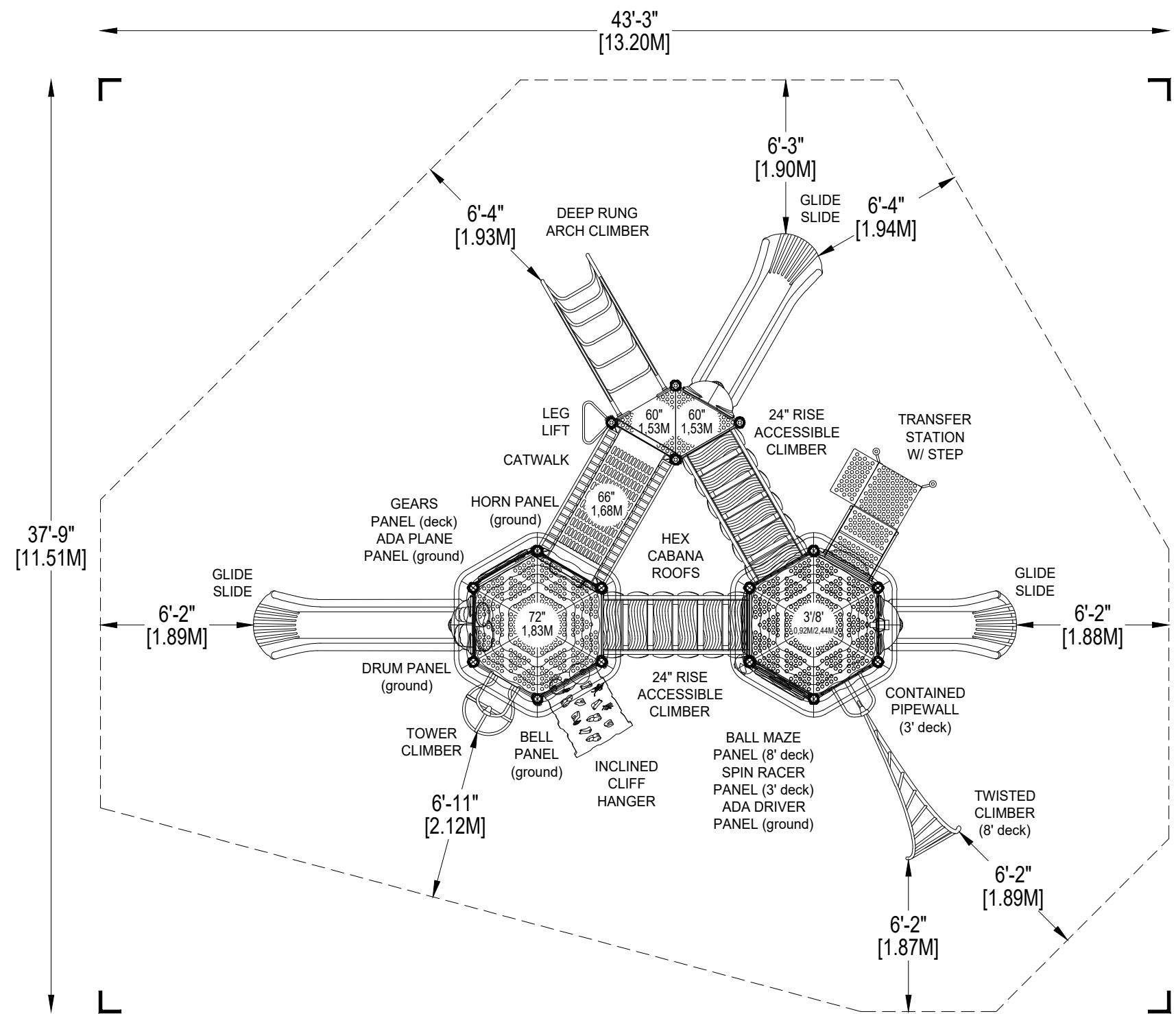
Primary



Natural



Metro



\*PLAYGROUND SUPERVISION REQUIRED



PLAYWORLD SYSTEMS, INC.  
 1000 Buffalo Road  
 Lewisburg, PA  
 17837-9795 USA

EQUIPMENT SIZE:  
**30'11" x 25'4" x 17'1"**  
 9,42M x 7,72M x 5,21M

USE ZONE:  
**43'3" x 37'9"**  
 13,20M x 11,51M

AREA: **1233 SqFt.** PERIMETER: **132 Ft.**  
 114,55 SqM. 40,23M

FALL HEIGHT:  
**8 Ft.**  
 2,44M

USER CAPACITY: **64** AGE GROUP: **5-12**

ADA SCHEDULE	Total Elevated Play Activities: 16		
	Total Ground-Level Play Activities: 8		
	Accessible Elevated Activities	Accessible Ground-Level Activities	Accessible Ground-Level Play Types
Required	8	5	3
Provided	16	5	4

- ✓ ASTM F1487-11
- ✓ CPSC #325

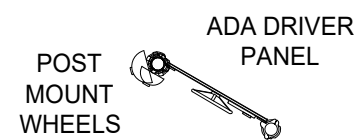


PROJECT NO: <b>FUN-1499D</b>	SCALE: <b>3/16"=1'-0"</b>
DRAWN BY: <b>M. MERTZ</b>	Paper Size <b>B</b>
DATE: <b>30-JAN-18</b>	

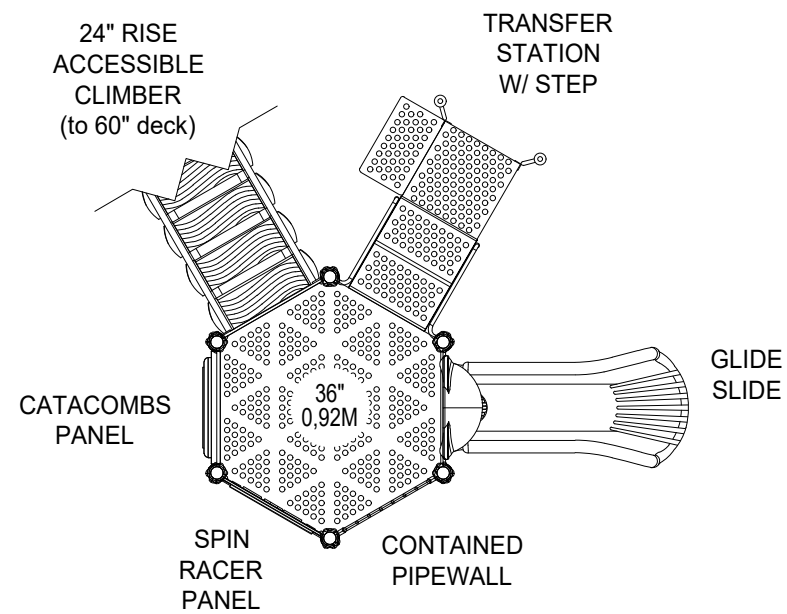
**TOWER TOUR**  
 CATALOG PRE-DESIGN

NOTES:

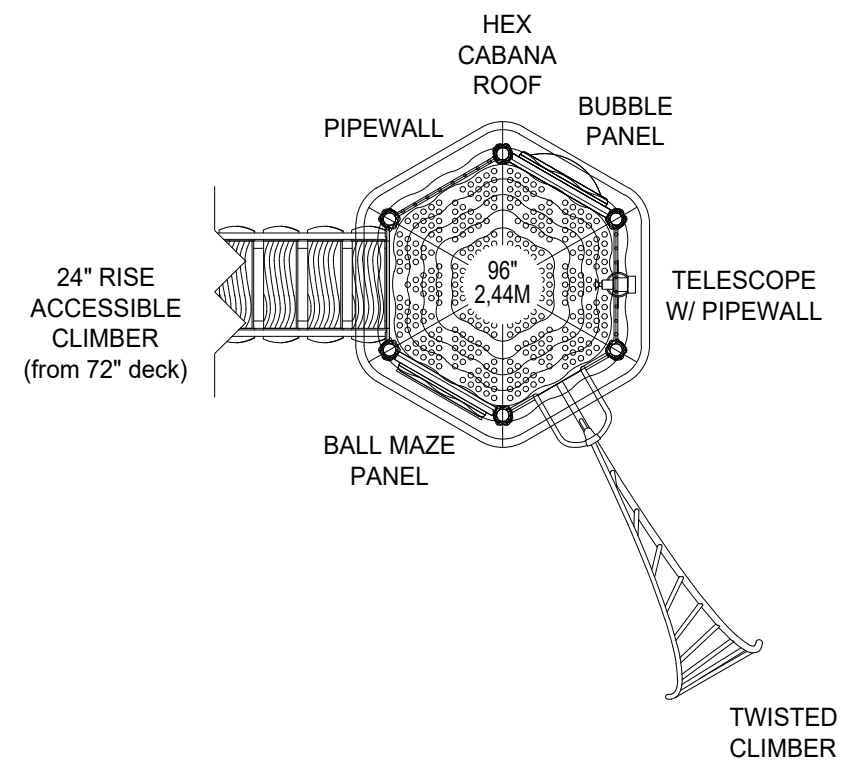
- 1) This tower detail is a diagram of the individual level layouts of the tower portion of your play structure, showing the detailed component layout of each level.
- 2) This tower detail is not to scale and is meant for reference purposes only. It should not be used in obtaining accurate measurements for any of the equipment shown unless otherwise noted on the drawing.
- 3) This design configuration is the property of this firm and Playworld Systems® and may not be reproduced or used in any manner without the expressed written consent of this firm and Playworld Systems®.



GROUND-LEVEL



36" (0,92m) DECK LEVEL



96" (2,44M) DECK LEVEL

TOWER DETAIL:

**Detail 1**

PROJECT NO:  
**FUN-1499D**

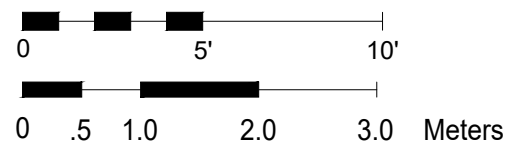
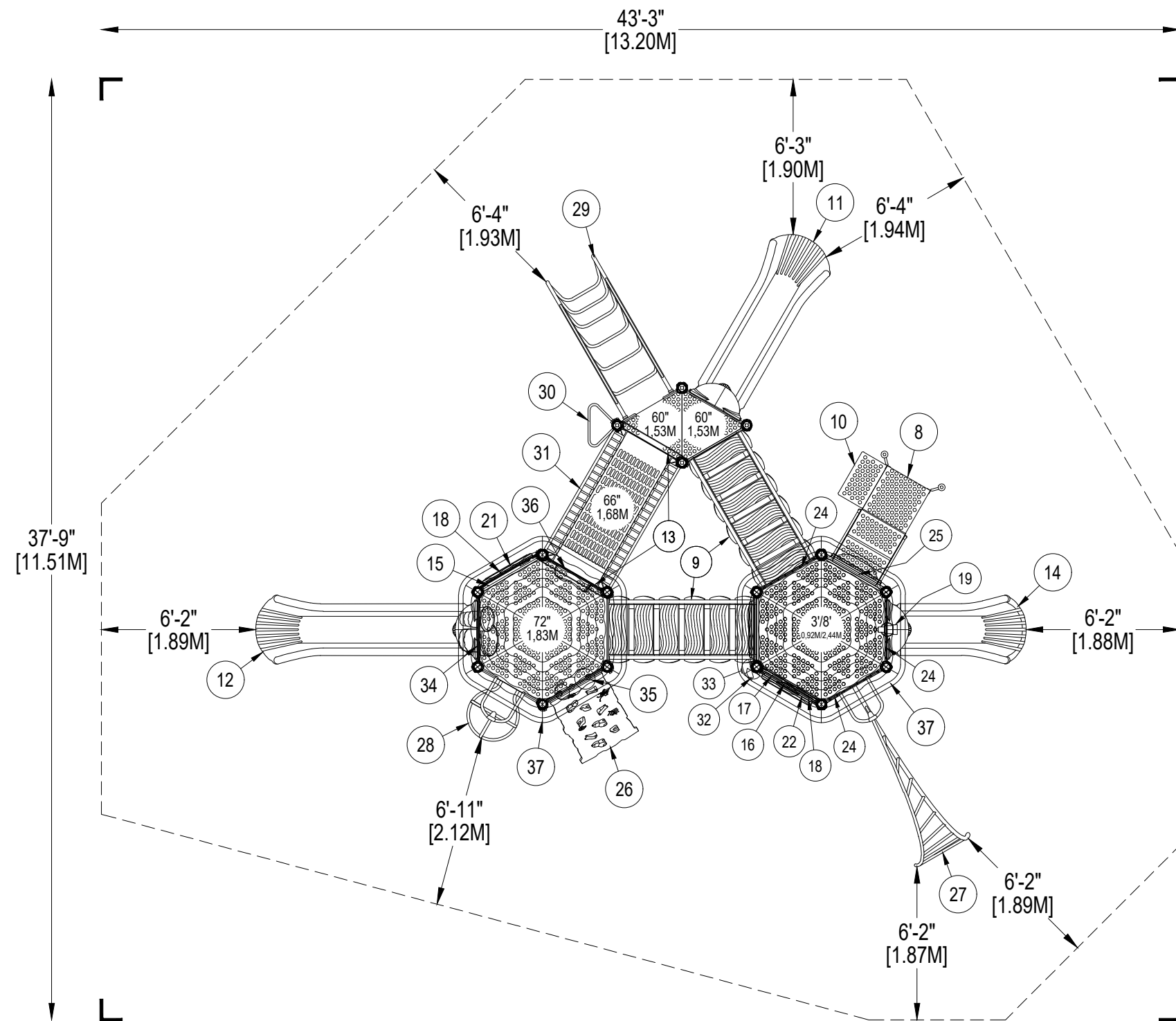
SCALE:  
**NOT TO SCALE**

DRAWN BY:  
**M. MERTZ**

Paper Size

DATE:  
**30-JAN-18**

**B**



PLAYWORLD SYSTEMS, INC.  
 1000 Buffalo Road  
 Lewisburg, PA  
 17837-9795 USA

EQUIPMENT SIZE:  
**30'11" x 25'4" x 17'1"**  
 9,42M x 7,72M x 5,21M

USE ZONE:  
**43'3" x 37'9"**  
 13,20M x 11,51M

AREA: **1233 SqFt.** PERIMETER: **132 Ft.**  
 114,55 SqM. 40,23M

FALL HEIGHT:  
**8 Ft.**  
 2,44M

USER CAPACITY: **64** AGE GROUP: **5-12**

ADA SCHEDULE	Total Elevated Play Activities: 16		
	Total Ground-Level Play Activities: 8		
	Accessible Elevated Activities	Accessible Ground-Level Activities	Accessible Ground-Level Play Types
Required	8	5	3
Provided	16	5	4

- ✓ ASTM F1487-11
- ✓ CPSC #325



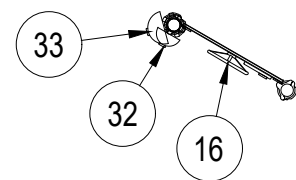
PROJECT NO: <b>FUN-1499D</b>	SCALE: <b>3/16"=1'-0"</b>
DRAWN BY: <b>M. MERTZ</b>	Paper Size <b>B</b>
DATE: <b>30-JAN-18</b>	

\*PLAYGROUND SUPERVISION REQUIRED

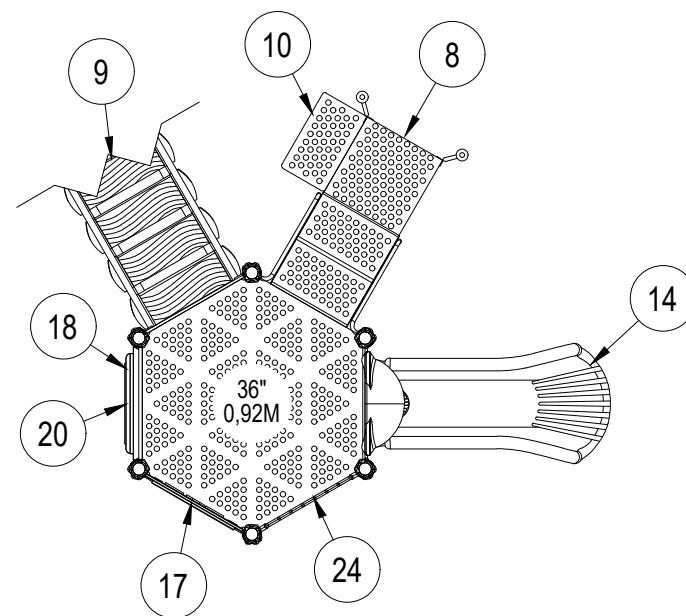
**TOWER TOUR**  
 CATALOG PRE-DESIGN

NOTES:

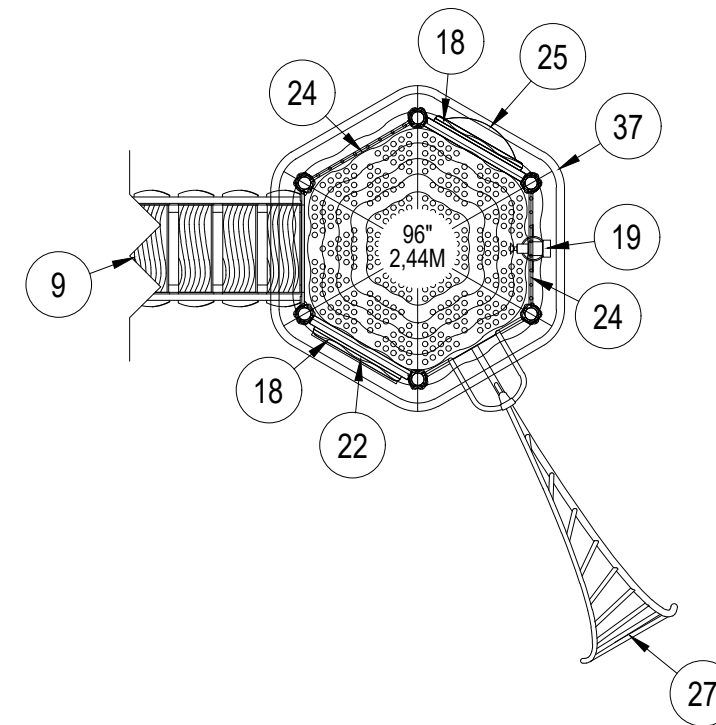
- 1) This tower detail is a diagram of the individual level layouts of the tower portion of your play structure, showing the detailed component layout of each level.
- 2) This tower detail is not to scale and is meant for reference purposes only. It should not be used in obtaining accurate measurements for any of the equipment shown unless otherwise noted on the drawing.
- 3) This design configuration is the property of this firm and Playworld Systems® and may not be reproduced or used in any manner without the expressed written consent of this firm and Playworld Systems®.



GROUND-LEVEL



36" (0,92m) DECK LEVEL



96" (2,44M) DECK LEVEL

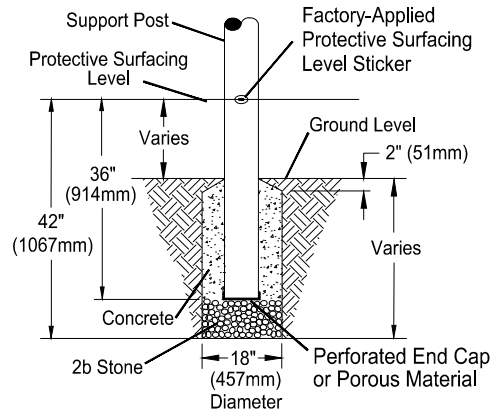
TOWER DETAIL:  
**Detail 1**

PROJECT NO: <b>FUN-1499D</b>	SCALE: <b>NOT TO SCALE</b>
DRAWN BY: <b>M. MERTZ</b>	Paper Size <b>B</b>
DATE: <b>30-JAN-18</b>	



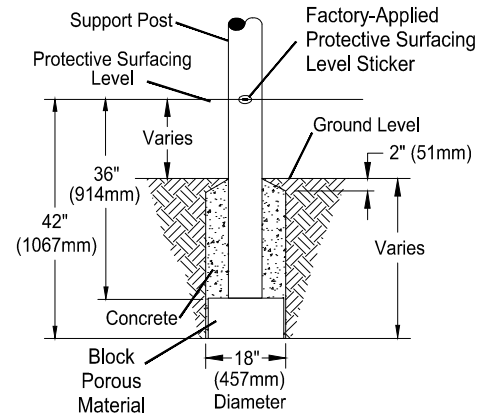
DETAIL 1

Support Post, Spiral Slide and RockBlocks Post Footing Detail



STONE OPTION

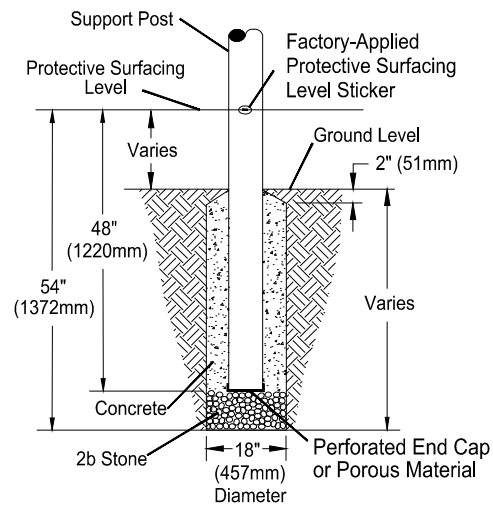
OR



BLOCK OPTION

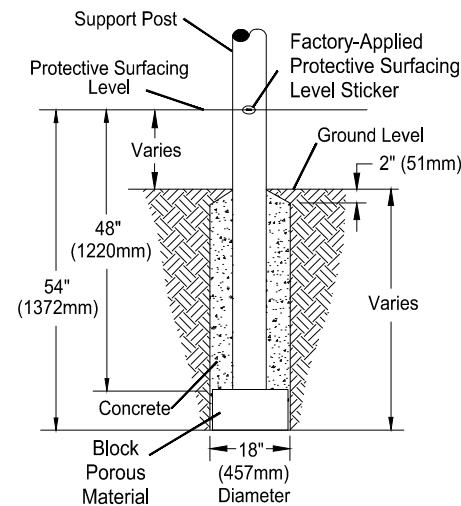
DETAIL 2

GroundZero, Cantilever and "T" Post Footing Detail



STONE OPTION

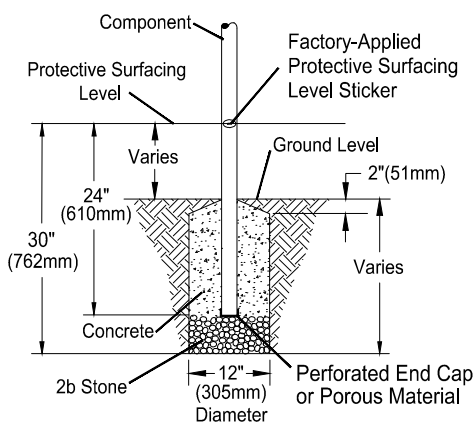
OR



BLOCK OPTION

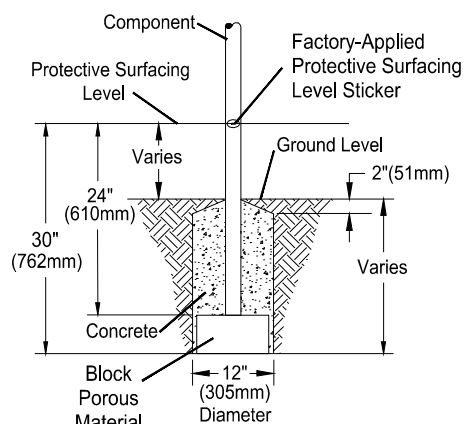
DETAIL 3

Component Footing Detail



STONE OPTION

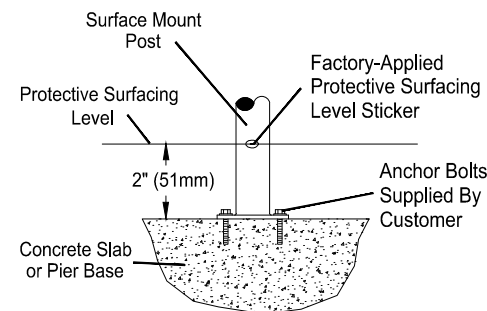
OR



BLOCK OPTION

DETAIL 4

Surface Mount Detail



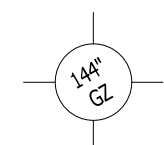
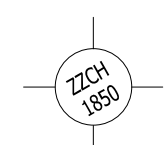
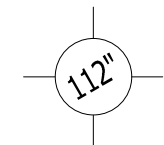
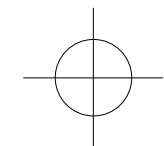
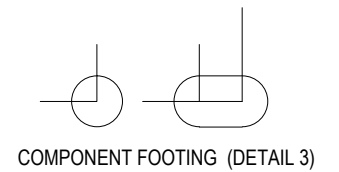
**INSTALLATION NOTES:**

- 1) Paved surfaces, such as asphalt and concrete, are not acceptable for use under your structure.
- 2) It is the consumer's responsibility to check with local utilities prior to excavating footings for any underground utility lines that may exist within the installation area.
- 3) It is the consumer's responsibility to check local soil conditions and drainage within the site area. Inquire with local contractors for appropriate recommendations.
- 4) If the structure is to be installed across uneven terrain, maintain the support post mark for protective surfacing level at the lowest grade. Adjust other footings accordingly.
- 5) The base of footings must be below frost lines.
- 6) Do not encase the bottom of support posts in concrete. Place all posts directly on packed stone.
- 7) Assemble the entire structure before pouring concrete unless specifically instructed to do so in the individual component installation instructions.
- 8) Read completely the installation instructions provided with your structure prior to beginning construction.

**SITE NOTES:**

- 1) The site plan provided must be checked against the actual site area to ensure that placement of your structure meets required clearances.
- 2) The dimensions labeled are for location of footing holes, not exact placement of equipment. Assemble, plumb, and level equipment before pouring concrete.
- 3) There must be a minimum distance of 6' (1830mm) between any obstacle, sidewalk, etc., and your structure.
- 4) Slides must have a use zone that extends out from the lower exit section of the slide a distance that is at least 6' (1830mm) or equal to the vertical distance from the highest point of the sliding surface to the top of the protective surfacing, whichever is greater. The slide use zone should not extend greater than 8' (2438mm) from the end of the lower exit section.
- 5) The complete area, including the space under and around the equipment, must be covered with an impact attenuating material. See the 1997 publication, "Handbook for Public Playground Safety", published by the U.S. Consumer Product Safety Commission, for guidelines and recommendations on the type and depth of surfacing material. For a copy of the "Handbook for Public Playground Safety", write to: **U.S. Consumer Product Safety Commission**, Office of Information and Public Affairs, Washington, D.C. 20207
- 6) Supervise children as they play.

**FOOTING LEGEND**

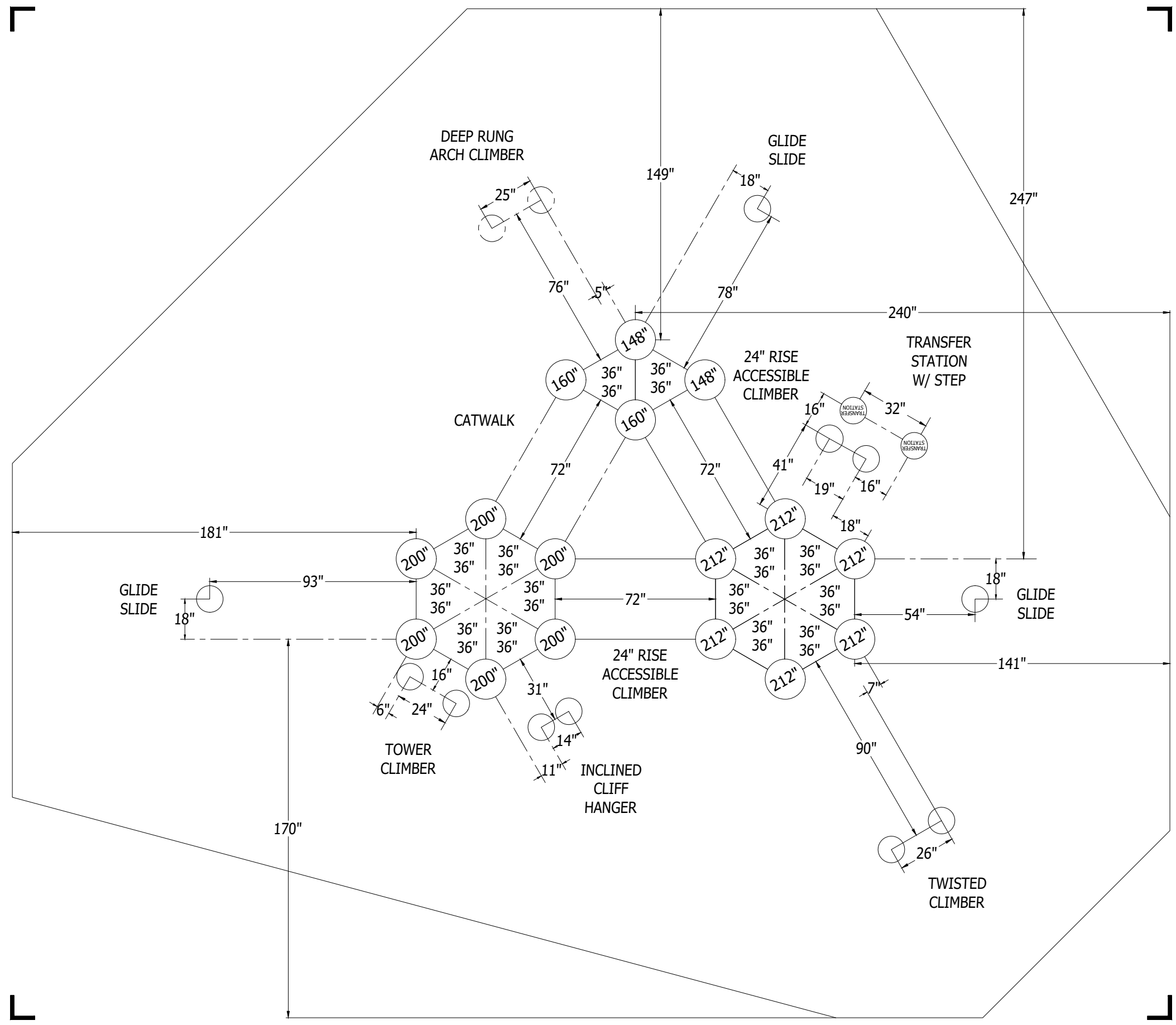
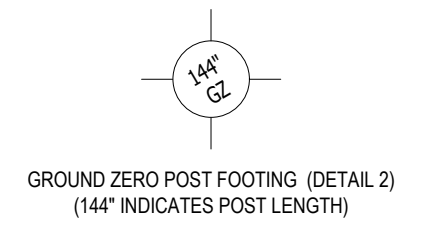
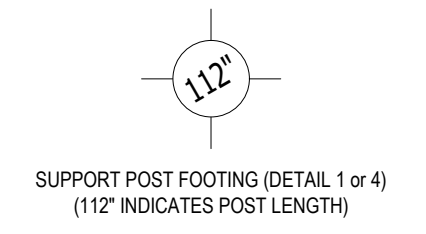
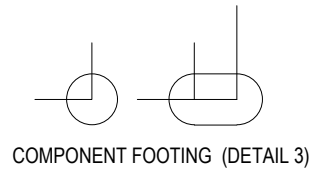


FOOTING DETAIL	SCALE: NOT TO SCALE
DRAWN BY: TECH SALES	Paper Size <b>B</b>
DATE: 28-JUNE-13	



PLAYWORLD SYSTEMS, INC.  
 1000 Buffalo Road  
 Lewisburg, PA  
 17837-9795 USA

FOOTING LEGEND



\*PLAYGROUND SUPERVISION REQUIRED

**TOWER TOUR**  
 CATALOG PRE-DESIGN

PROJECT NO: <b>FUN-1499D</b>	SCALE: <b>1/4"=1'-0"</b>
DRAWN BY: <b>M. MERTZ</b>	Paper Size <b>B</b>
DATE: <b>30-JAN-18</b>	



# Tower Tours

Design Number: FUN-1499D - Bill Of Material

Ref. No.	Part No.	Description	Quantity
<b>Posts</b>			
1	ZZCH0038	3.5in OD x 148in STEEL POST W/ RIVETED CAP	2
2	ZZCH0048	3.5in OD x 160in STEEL POST W/ RIVETED CAP	2
3	ZZCH0077	3.5in OD x 200in STEEL POST W/O CAP	6
4	ZZCH0257	3.5in OD x 212in STEEL POST W/O CAP	6
<b>Decks &amp; Kick Plates</b>			
5	ZZCH0617	TRIANGULAR COATED DECK ASSEMBLY	2
6	zzCH0619	FULL HEX COATED DECK ASSEMBLY	3
7	ZZUN2290	COATED DECK TO DECK CONNECTION KIT	1
<b>ADA Items</b>			
8	ZZCH2007	TRANSFER STATION w/TALL GUARDRAIL (36in DECK)	1
9	ZZCH8230	DECK TO DECK ACCESSIBLE CLIMBER (24in RISE)	2
10	ZZUN2019	APPROACH STEP FOR TRANSFER STATION	1
<b>Slides</b>			
11	ZZCH2658	GLIDE SLIDE (60in DECK)	1
12	ZZCH2696	GLIDE SLIDE (72in DECK)	1
13	ZZCH2805	ENTRY SUPPORT BRACKET	2
14	ZZCH3127	GLIDE SLIDE (36in DECK)	1
<b>Activity Panels</b>			
15	ZZCH4399	ACCESSIBLE PLANE PANEL	1
16	ZZCH4406	ACCESSIBLE DRIVING PANEL	1
17	ZZch4537	SPIN RACER PANEL (DECK LEVEL)	1
18	ZZCH4807	OVAL INSERT PANEL (DECK MOUNT)	3
19	ZZUN4279	TELESCOPE PIPE WALL MOUNT (CH/EX)	1
20	ZZUN4792	CATACOMBS PANEL INSERT	1
21	ZZUN4795	GEAR PANEL INSERT	1
22	ZZUN4798	BALL MAZE PANEL INSERT	1
<b>Barriers</b>			
23	ZZCH4095	CENTERLINE PIPE WALL BARRIER	2
24	ZZCH4745	CONTAINMENT PIPE WALL (HEX TOWER)	1
25	ZZCH4811	OVAL BUBBLE PANEL (DECK MOUNT)	1
<b>Climbers</b>			
26	ZZCH6989	INCLINED CLIFF HANGER (72in DECK)	1
27	ZZCH7167	8ft TWISTED CLIMBER	1
28	ZZCH7168	6ft TOWER CLIMBER	1
29	ZZCH7420	DEEP RUNG ARCH CLIMBER (60in DECK)	1
<b>Overhead Events</b>			
30	ZZCH5770	LEG LIFT	1
<b>Bridges</b>			
31	ZZCH7085	6ft CATWALK	1
<b>Audible Activities</b>			
32	ZZCH4556	7in BELL (POST MOUNT)	1
33	ZZCH4558	9in BELL (POST MOUNT)	1



# Tower Tours

Design Number: FUN-1499D - Bill Of Material

<b>Ref. No.</b>	<b>Part No.</b>	<b>Description</b>	<b>Quantity</b>
34	ZZCH4587	DRUM PANEL (GROUND LEVEL)	1
35	ZZCH4589	BELL PANEL (GROUND LEVEL)	1
36	ZZCH4611	HORN PANEL GROUND LEVEL	1
<b>Roofs &amp; Arches</b>			
37	ZZCH9858	CH HEX CABANA ROOF	2
<b>Additional Tool &amp; Maintenance Kits</b>			
38	ZZCHGUID	CHALLENGER GUIDELINES	1
39	ZZUN9910	SURFACING WARNING LABEL KIT	1
40	ZZUN9930	PIPE SYSTEMS MAINTENANCE KIT W/ AEROSOL	1

# Tower Tours

Design Number: FUN-1499D - Compliance and Technical Data

Reference Document: ASTM F1487

Ref. No.	Part No.	Qty.	Description	Unit ASTM Status	Total Weight (lbs)	Pre-Consumer Recycled Content (lbs)	Post-Consumer Content (lbs)	CO2e Footprint (kgs)	Users	Install Hours	Concrete (Yds3)	Active Play Events
1	ZZCH0038	2	3.5in OD x 148in STEEL POST W/ RIVETED CAP	Certified	94.22			127	0	2.00	0.25	0
2	ZZCH0048	2	3.5in OD x 160in STEEL POST W/ RIVETED CAP	Certified	100.42			136	0	2.00	0.25	0
3	ZZCH0077	6	3.5in OD x 200in STEEL POST W/O CAP	Certified	366.06			476	0	6.00	0.75	0
4	ZZCH0257	6	3.5in OD x 212in STEEL POST W/O CAP	Certified	366.06			533	0	6.00	0.78	0
5	ZZCH0617	2	TRIANGULAR COATED DECK ASSEMBLY	Certified	59.80			240	4	2.00	0.00	0
6	zzCH0619	3	FULL HEX COATED DECK ASSEMBLY	Certified	453.78			1,332	18	4.50	0.00	0
7	ZZUN2290	1	COATED DECK TO DECK CONNECTION KIT	Certified	0.29			4	0	0.50	0.00	0
8	ZZCH2007	1	TRANSFER STATION w/TALL GUARDRAIL (36in DECK)	Certified	148.40			310	2	2.00	0.09	0
9	ZZCH8230	2	DECK TO DECK ACCESSIBLE CLIMBER (24in RISE)	Certified	591.20			1,788	4	3.00	0.00	2
10	ZZUN2019	1	APPROACH STEP FOR TRANSFER STATION	Certified	35.83			72	1	1.00	0.04	0
11	ZZCH2658	1	GLIDE SLIDE (60in DECK)	Certified	135.48			562	2	2.00	0.03	1
12	ZZCH2696	1	GLIDE SLIDE (72in DECK)	Certified	151.63			653	2	2.00	0.03	1
13	ZZCH2805	2	ENTRY SUPPORT BRACKET	Certified	24.88			115	0	1.00	0.00	0
14	ZZCH3127	1	GLIDE SLIDE (36in DECK)	Certified	99.73			374	2	2.00	0.03	1
15	ZZCH4399	1	ACCESSIBLE PLANE PANEL	Certified	22.67			212	1	0.50	0.00	1
16	ZZCH4406	1	ACCESSIBLE DRIVING PANEL	Certified	24.07			202	1	0.50	0.00	1
17	ZZch4537	1	SPIN RACER PANEL (DECK LEVEL)	Certified	47.70			389	3	1.00	0.00	1
18	ZZCH4807	3	OVAL INSERT PANEL (DECK MOUNT)	Certified	84.48			632	0	1.50	0.00	0
19	ZZUN4279	1	TELESCOPE PIPE WALL MOUNT (CH/EX)	Certified	12.23			61	1	0.50	0.00	1
20	ZZUN4792	1	CATACOMBS PANEL INSERT	Certified	23.02			250	1	0.50	0.00	1
21	ZZUN4795	1	GEAR PANEL INSERT	Certified	22.69			374	1	1.00	0.00	1
22	ZZUN4798	1	BALL MAZE PANEL INSERT	Certified	20.48			121	1	0.50	0.00	1
23	ZZCH4095	2	CENTERLINE PIPE WALL BARRIER	Certified	57.48			142	0	1.00	0.00	0
24	ZZCH4745	1	CONTAINMENT PIPE WALL (HEX TOWER)	Certified	36.60			102	0	0.50	0.00	0
25	ZZCH4811	1	OVAL BUBBLE PANEL (DECK MOUNT)	N/A	33.39			243	0	1.00	0.00	0



# Tower Tours

Design Number: FUN-1499D - Compliance and Technical Data

Reference Document: ASTM F1487

Ref. No.	Part No.	Qty.	Description	Unit ASTM Status	Total Weight (lbs)	Pre-Consumer Recycled Content (lbs)	Post-Consumer Content (lbs)	CO2e Footprint (kgs)	Users	Install Hours	Concrete (Yds3)	Active Play Events
26	ZZCH6989	1	INCLINED CLIFF HANGER (72in DECK)	Certified	144.40			615	2	2.50	0.06	1
27	ZZCH7167	1	8ft TWISTED CLIMBER	Certified	130.73			248	2	2.00	0.60	1
28	ZZCH7168	1	6ft TOWER CLIMBER	Certified	100.77			242	2	2.00	0.06	1
29	ZZCH7420	1	DEEP RUNG ARCH CLIMBER (60in DECK)	Certified	99.86			201	2	2.00	0.06	1
30	ZZCH5770	1	LEG LIFT	Certified	6.76			30	1	0.50	0.00	1
31	ZZCH7085	1	6ft CATWALK	Certified	235.56			433	2	4.00	0.00	1
32	ZZCH4556	1	7in BELL (POST MOUNT)	Certified	4.61			41	1	0.25	0.00	1
33	ZZCH4558	1	9in BELL (POST MOUNT)	Certified	6.21			45	1	0.25	0.00	1
34	ZZCH4587	1	DRUM PANEL (GROUND LEVEL)	Certified	44.64			407	2	1.00	0.00	1
35	ZZCH4589	1	BELL PANEL (GROUND LEVEL)	Certified	46.91			381	2	1.00	0.00	1
36	ZZCH4611	1	HORN PANEL GROUND LEVEL	Certified	43.14			482	2	1.00	0.00	1
37	ZZCH9858	2	CH HEX CABANA ROOF	Certified	388.30			1,637	0	2.00	0.00	0
38	ZZCHGUID	1	CHALLENGER GUIDELINES	N/A	0.00			1	0	0.25	0.00	0
39	ZZUN9910	1	SURFACING WARNING LABEL KIT	Certified	0.05			1	0	0.25	0.00	0
40	ZZUN9930	1	PIPE SYSTEMS MAINTENANCE KIT W/ AEROSOL	N/A				90				
<b>Totals:</b>					<b>4,264.53</b>	<b>595</b>	<b>1,059</b>	<b>14,300</b>	<b>63</b>	<b>63.50</b>	<b>3.03</b>	<b>23</b>
					<b>1,919.04 Kg</b>	<b>268 Kg</b>	<b>477 Kg</b>	<b>14 Metric Tons</b>			<b>2.30 m3</b>	



# Tower Tours

Design Number: FUN-1499D - Compliance and Technical Data

Reference Document: ASTM F1487

Ref. No.	Part No.	Qty.	Description	Unit ASTM Status	Total Weight (lbs)	Pre-Consumer Recycled Content (lbs)	Post-Consumer Content (lbs)	CO2e Footprint (kgs)	Users	Install Hours	Concrete (Yds3)	Active Play Events
----------	----------	------	-------------	------------------	--------------------	-------------------------------------	-----------------------------	----------------------	-------	---------------	-----------------	--------------------

## ASTM F1487

The lay-out for this custom playscape, design number FUN-1499D, has been configured to meet the requirements of the ASTM F1487 standard. In addition, each of the above components listed as "Certified" have been tested and are IPEMA certified. Components listed as "Not Applicable" do not fall within the scope of the ASTM F1487 standard and have not been tested. IPEMA certification can be verified on the IPEMA website, [www.ipema.org](http://www.ipema.org). In the interest of playground safety, IPEMA provides a Third Party Certification Service which validates compliance.

## 2010 ADA Standards for Accessible Design

The lay-out was also designed to meet the 2010 Standards published 15-Sep-2010, by the Department of Justice when installed over a properly maintained surfacing material that is in compliance with ASTM F1951 "Accessibility of Surface Systems Under and Around Playground Equipment" as well as ASTM F1292, "Impact Attenuation of Surfacing Materials Within the Use Zone of Playground Equipment", appropriate for the fall height of the structure.

## Installation Times

Installation times are based on one experienced installer. A crew of three experienced individuals can perform the installation within the given time, each member working 1/3 of the given hours. [Eg. Installation Time = 30 hours. For a crew of three, each member will work 10 hours on the installation for a total of 30 hours on the project.]

## Carbon Footprint

The CO2e (carbon footprint given in Kilograms and Metric Tons) listed above is a measure of the environmental impact this play structure represents from harvesting raw materials to the time it leaves our shipping dock. Playworld Systems nurtures a total corporate culture that is focused on eliminating carbon producing processes and products, reducing our use of precious raw materials, reusing materials whenever possible and recycling materials at every opportunity. Playworld Systems elected to adopt the Publicly Available Specification; PAS 2050 as published by the British Standards Institute and sponsored by Defra and the Carbon Trust. The PAS 2050 has gained international acceptance as a specification that measures the greenhouse gas emissions in services and goods throughout their entire life cycle.

## Pre-Consumer Recycle Content

A measurement, in pounds, that qualifies the amount of material that was captured as waste and diverted from landfill during an initial manufacturing process and is being redirected to a separate manufacturing process to become a different product. E.g. 100% of our Aluminum Tubing is made from captured waste material during the manufacturing process of extruded Aluminum products such as rods, flat bars and H-channels.

## Post-Consumer Recycle Content

A measurement, in pounds, that qualifies the amount of material that was once another product that has completed its lifecycle and has been diverted from a landfill as a solid waste through recycling and is now being used in a Playworld Systems' product. E.g. \*\*20% to 40% of the steel in our steel tubing and sheet steel have been diverted from landfills. Automobiles are scrapped and recyclable steel is purchased by the steel mill that produces our raw product.

\*\* The amount of Post-Consumer recycled steel fluctuates daily based on the availability of the recycled steel.

