

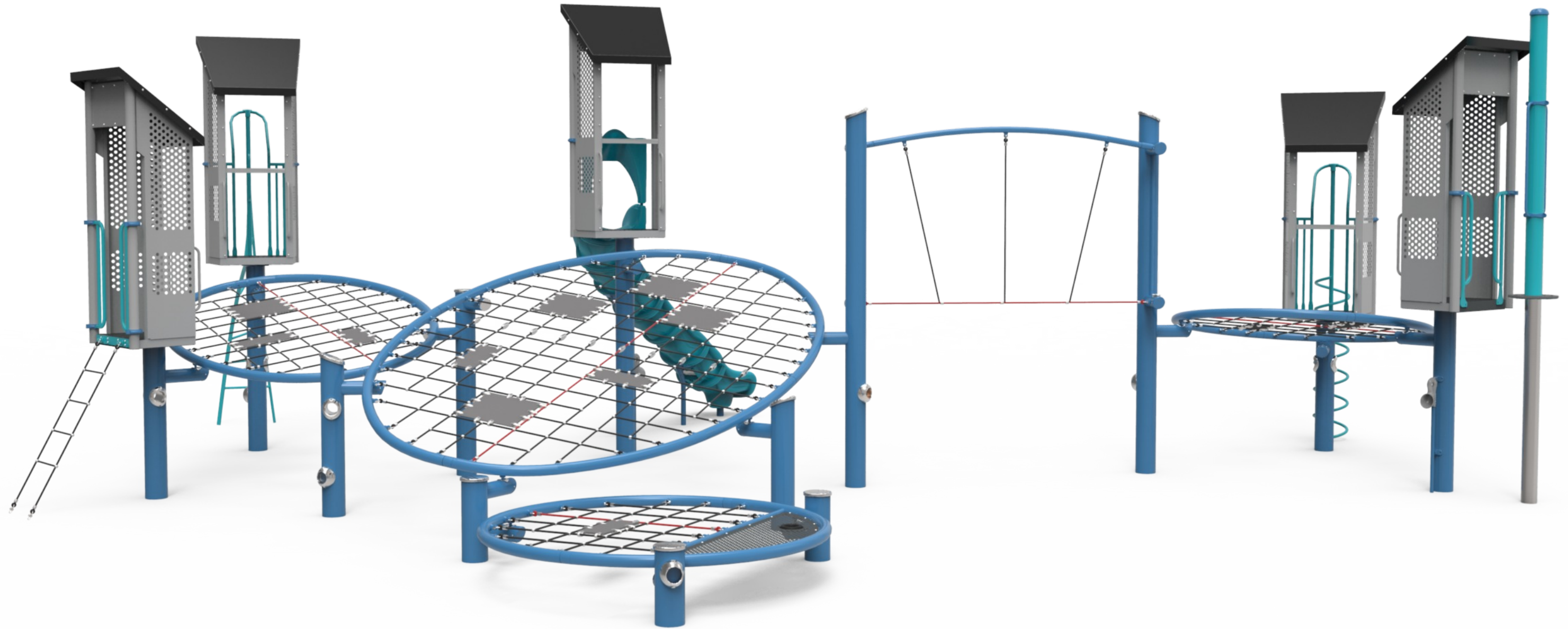
INET-1735

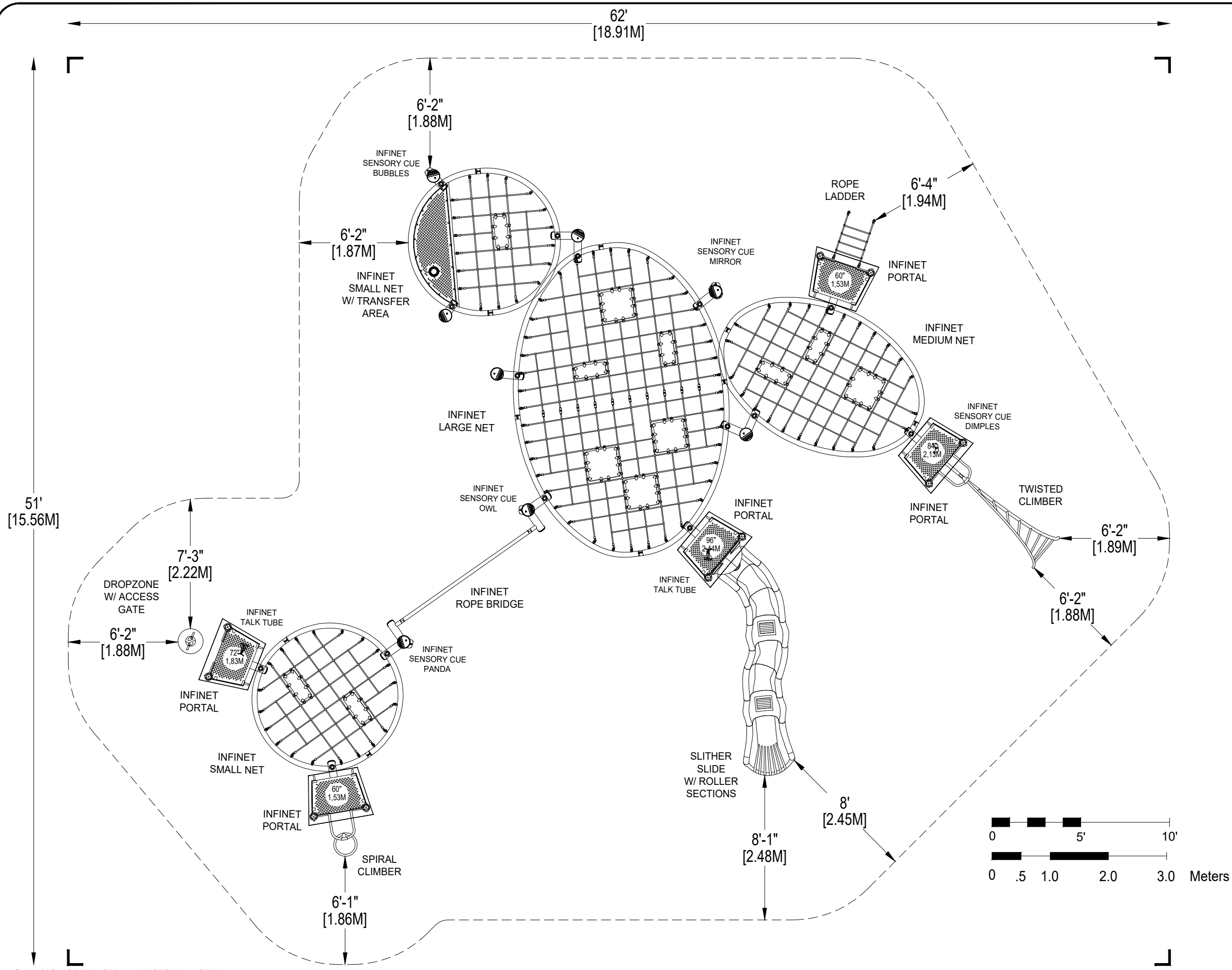
Equipment Manufacturer



INET-1735

Equipment Manufacturer





*PLAYGROUND SUPERVISION REQUIRED



PLAYWORLD SYSTEMS, INC.
 1000 Buffalo Road
 Lewisburg, PA
 17837-9795 USA

EQUIPMENT SIZE:
49'8" x 38'9" x 16'
 15,14M x 11,81M x 4,88M

USE ZONE:
62' x 51'
 18,91M x 15,56M

AREA: **2,250 SqFt.** PERIMETER: **186 Ft.**
 209,03 SqM. 56,69M

FALL HEIGHT:
8 Ft.
 2,44M

USER CAPACITY: **84** AGE GROUP: **5-12**

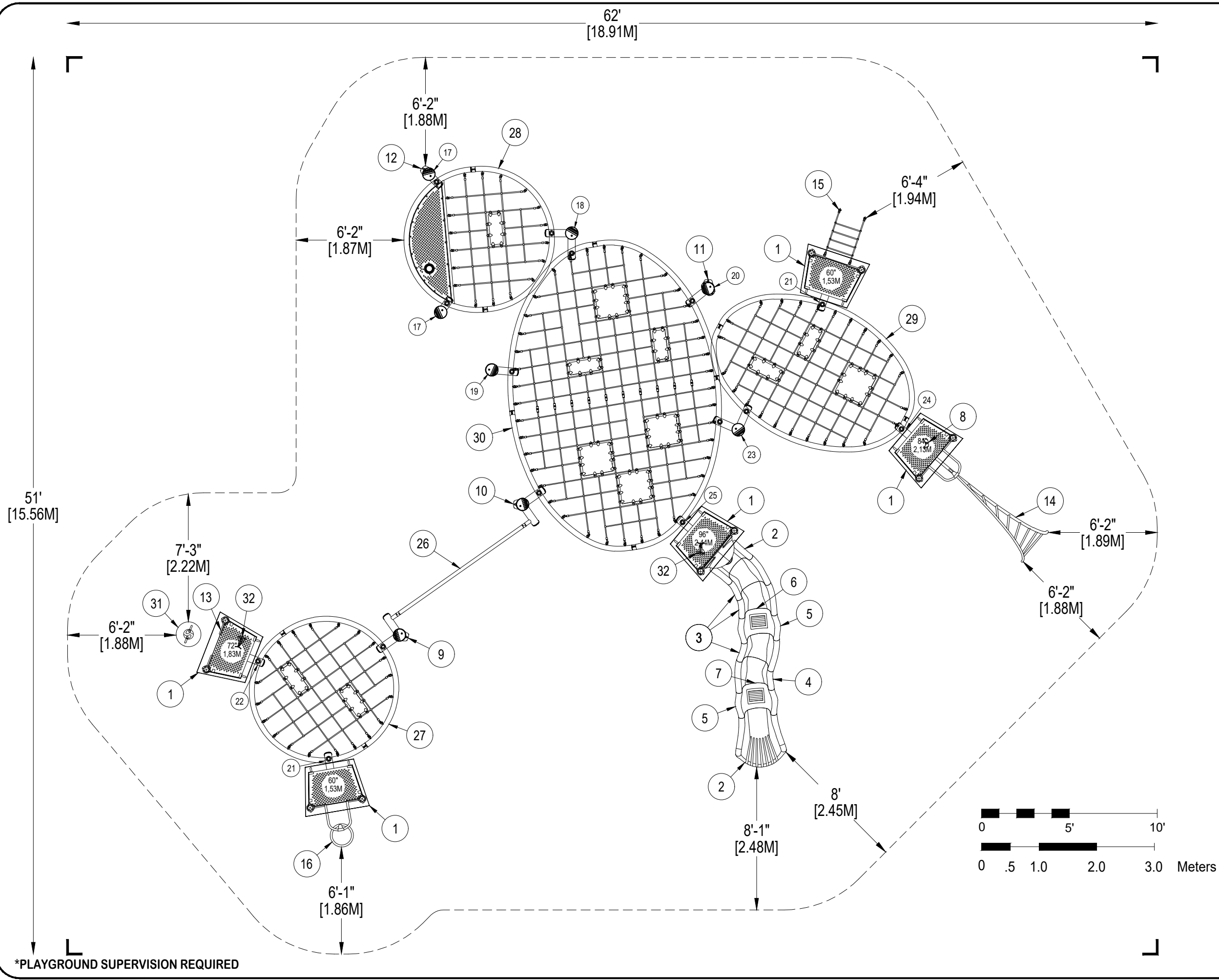
ADA SCHEDULE	Total Elevated Play Activities: 9		
	Total Ground-Level Play Activities: 6		
	Accessible Elevated Activities	Accessible Ground-Level Activities	Accessible Ground-Level Play Types
Required	5	3	3
Provided	5	5	3

✓ ASTM F1487-11
 ✓ CPSC #325



PROJECT NO: INET-1735	SCALE: 3/16"=1'-0"
DRAWN BY: M. MERTZ	Paper Size B
DATE: 20-APR-17	

INET-1735
 CATALOG PRE-DESIGN



*PLAYGROUND SUPERVISION REQUIRED



PLAYWORLD SYSTEMS, INC.
 1000 Buffalo Road
 Lewisburg, PA
 17837-9795 USA

EQUIPMENT SIZE:
49'8" x 38'9" x 16'
 15,14M x 11,81M x 4,88M

USE ZONE:
62' x 51'
 18,91M x 15,56M

AREA: **2,250 SqFt.** PERIMETER: **186 Ft.**
 209,03 SqM. 56,69M

FALL HEIGHT:
8 Ft.
 2,44M

USER CAPACITY: **84** AGE GROUP: **5-12**

ADA SCHEDULE	Total Elevated Play Activities: 9		
	Total Ground-Level Play Activities: 6		
	Accessible Elevated Activities	Accessible Ground-Level Activities	Accessible Ground-Level Play Types
Required	5	3	3
Provided	5	5	3

- ✓ ASTM F1487-11
- ✓ CPSC #325



PROJECT NO: INET-1735	SCALE: 3/16"=1'-0"
DRAWN BY: M. MERTZ	Paper Size B
DATE: 20-APR-17	

INET-1735
 CATALOG PRE-DESIGN

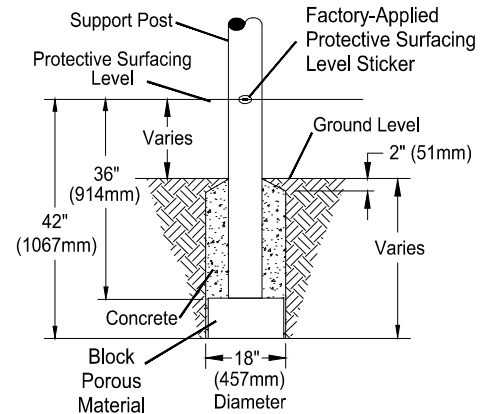
DETAIL 1

Support Post, Spiral Slide and RockBlocks Post Footing Detail



STONE OPTION

OR



BLOCK OPTION

DETAIL 2

GroundZero, Cantilever and "T" Post Footing Detail



STONE OPTION

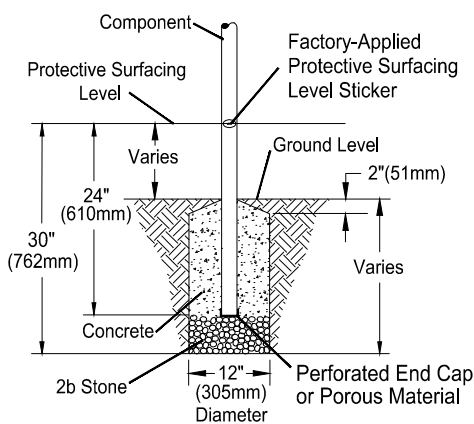
OR



BLOCK OPTION

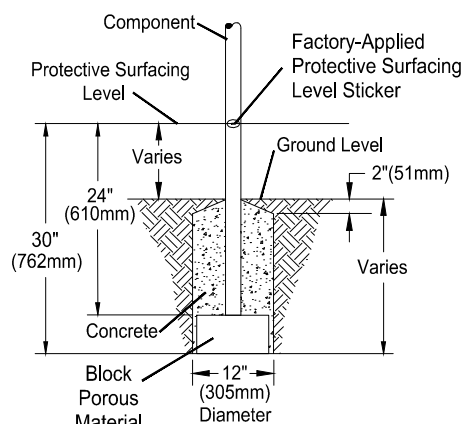
DETAIL 3

Component Footing Detail



STONE OPTION

OR



BLOCK OPTION

DETAIL 4

Surface Mount Detail



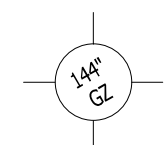
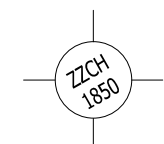
INSTALLATION NOTES:

- 1) Paved surfaces, such as asphalt and concrete, are not acceptable for use under your structure.
- 2) It is the consumer's responsibility to check with local utilities prior to excavating footings for any underground utility lines that may exist within the installation area.
- 3) It is the consumer's responsibility to check local soil conditions and drainage within the site area. Inquire with local contractors for appropriate recommendations.
- 4) If the structure is to be installed across uneven terrain, maintain the support post mark for protective surfacing level at the lowest grade. Adjust other footings accordingly.
- 5) The base of footings must be below frost lines.
- 6) Do not encase the bottom of support posts in concrete. Place all posts directly on packed stone.
- 7) Assemble the entire structure before pouring concrete unless specifically instructed to do so in the individual component installation instructions.
- 8) Read completely the installation instructions provided with your structure prior to beginning construction.

SITE NOTES:

- 1) The site plan provided must be checked against the actual site area to ensure that placement of your structure meets required clearances.
- 2) The dimensions labeled are for location of footing holes, not exact placement of equipment. Assemble, plumb, and level equipment before pouring concrete.
- 3) There must be a minimum distance of 6' (1830mm) between any obstacle, sidewalk, etc., and your structure.
- 4) Slides must have a use zone that extends out from the lower exit section of the slide a distance that is at least 6' (1830mm) or equal to the vertical distance from the highest point of the sliding surface to the top of the protective surfacing, whichever is greater. The slide use zone should not extend greater than 8' (2438mm) from the end of the lower exit section.
- 5) The complete area, including the space under and around the equipment, must be covered with an impact attenuating material. See the 1997 publication, "Handbook for Public Playground Safety", published by the U.S. Consumer Product Safety Commission, for guidelines and recommendations on the type and depth of surfacing material. For a copy of the "Handbook for Public Playground Safety", write to: **U.S. Consumer Product Safety Commission**, Office of Information and Public Affairs, Washington, D.C. 20207
- 6) Supervise children as they play.

FOOTING LEGEND



FOOTING DETAIL

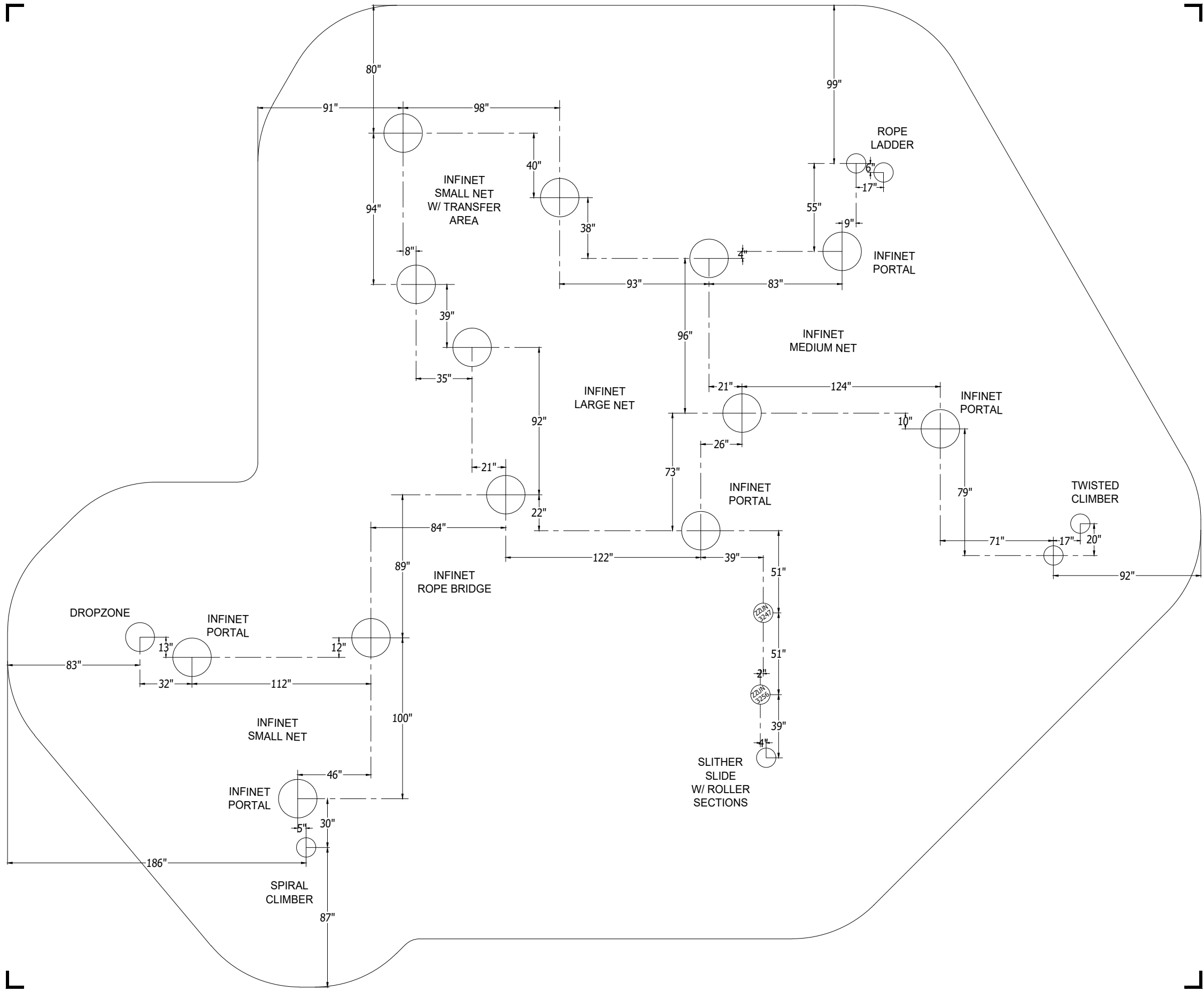
SCALE:
NOT TO SCALE

DRAWN BY:
TECH SALES

Paper Size

DATE:
28-JUNE-13

B

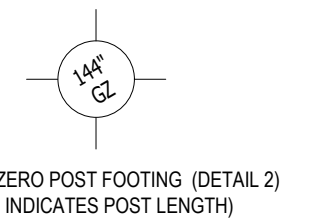
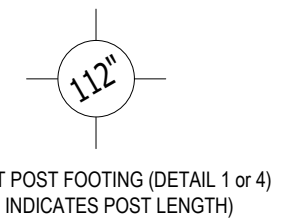
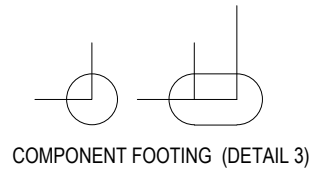


*PLAYGROUND SUPERVISION REQUIRED



PLAYWORLD SYSTEMS, INC.
 1000 Buffalo Road
 Lewisburg, PA
 17837-9795 USA

FOOTING LEGEND



PROJECT NO: INET-1735	SCALE: 3/16"=1'-0"
DRAWN BY: M. MERTZ	Paper Size B
DATE: 24-MAY-17	

INET-1735
 CATALOG PRE-DESIGN

INET-1735

Design Number: INET-1735 - Bill Of Material

Ref. No.	Part No.	Description	Quantity
Decks & Kick Plates			
1	ZZUN6266	INFINET PORTAL	5
Slides			
2	ZZCH3206	SLITHER SLIDE 2.0 ENTRANCE & EXIT	1
3	ZZUN3208	SLITHER SLIDE 2.0 (RIGHT SECTION)	3
4	ZZUN3209	SLITHER SLIDE 2.0 (LEFT SECTION)	1
5	ZZUN3219	SLITHER SLIDE ROLLER SECTION	2
6	ZZUN3247	SLITHER SLIDE 2.0 SUPPORT LEG 5ft-6in	1
7	ZZUN3256	SLITHER SLIDE 2.0 SUPPORT LEG 2ft-6in	1
Activity Panels			
8	ZZUN6328	INFINET SENSORY CUE - DIMPLES	1
9	ZZUN6336	INFINET SENSORY CUE - PANDA	1
10	ZZUN6337	INFINET SENSORY CUE - OWL	1
11	ZZUN6348	INFINET SENSORY CUE - MIRROR	1
12	ZZUN6349	INFINET SENSORY CUE - BUBBLES	1
Barriers			
13	ZZCH4288	ACCESS GATE	1
Climbers			
14	ZZCH7166	7ft TWISTED CLIMBER	1
15	ZZCH7238	ROPE LADDER- 60in DECK	1
16	ZZCH8160	SPIRAL CLIMBER (60in DECK)	1
17	ZZUN6267	INFINET POST W/ CAP FOR 24in NET	2
18	ZZUN6268	INFINET DBL CONNECTION POST W/ CAP FOR 24in-36in NETS	1
19	ZZUN6277	INFINET POST W/ CAP FOR 48in NET	1
20	ZZUN6280	INFINET POST W/ CAP FOR 60in NET	1
21	ZZUN6286	INFINET POST FOR 60in PORTAL	2
22	ZZUN6289	INFINET POST FOR 72in PORTAL	1
23	ZZUN6290	INFINET DBL CONNECTION POST W/ CAP FOR 72in-84in NETS	1
24	ZZUN6297	INFINET POST FOR 84in PORTAL	1
25	ZZUN6300	INFINET POST FOR 96in PORTAL	1
26	ZZUN6306	INFINET ROPE BRIDGE W/ 2 POSTS	1
27	ZZUN6307	INFINET SMALL NET	1
28	ZZUN6308	INFINET SMALL NET W/ TRANSFER AREA	1
29	ZZUN6309	INFINET MEDIUM NET	1
30	ZZUN6310	INFINET LARGE NET	1
Balance			
31	ZZUN7027	DROP ZONE (72in DECK)	1
Audible Activities			
32	ZZUN6316	INFINET TALK TUBE (NET POST TO NET POST)	1
Additional Tool & Maintenance Kits			
33	ZZCHGUID	CHALLENGER GUIDELINES	1
34	ZZUN9910	SURFACING WARNING LABEL KIT	1
35	ZZUN9930	PIPE SYSTEMS MAINTENANCE KIT W/ AEROSOL	1



INET-1735

Design Number: INET-1735 - Compliance and Technical Data

Reference Document: ASTM F1487

Ref. No.	Part No.	Qty.	Description	Unit ASTM Status	Total Weight (lbs)	Pre-Consumer Recycled Content (lbs)	Post-Consumer Content (lbs)	CO2e Footprint (kgs)	Users	Install Hours	Concrete (Yds3)	Active Play Events
1	ZZUN6266	5	INFINET PORTAL	Certified	2,379.45			2,830	10	20.00	0.00	0
2	ZZCH3206	1	SLITHER SLIDE 2.0 ENTRANCE & EXIT	Certified	85.37			424	2	2.00	0.03	1
3	ZZUN3208	3	SLITHER SLIDE 2.0 (RIGHT SECTION)	Certified	58.77			401	0	0.75	0.00	0
4	ZZUN3209	1	SLITHER SLIDE 2.0 (LEFT SECTION)	Certified	19.59			134	0	0.25	0.00	0
5	ZZUN3219	2	SLITHER SLIDE ROLLER SECTION	Certified	67.60			944	0	0.50	0.00	0
6	ZZUN3247	1	SLITHER SLIDE 2.0 SUPPORT LEG 5ft-6in	Certified	19.41			70	0	0.25	0.03	0
7	ZZUN3256	1	SLITHER SLIDE 2.0 SUPPORT LEG 2ft-6in	Certified	12.81			59	0	0.25	0.03	0
8	ZZUN6328	1	INFINET SENSORY CUE - DIMPLES	Certified	2.87			67	1	0.50	0.00	1
9	ZZUN6336	1	INFINET SENSORY CUE - PANDA	Certified	2.98			72	1	0.50	0.00	1
10	ZZUN6337	1	INFINET SENSORY CUE - OWL	Certified	2.98			72	1	0.50	0.00	1
11	ZZUN6348	1	INFINET SENSORY CUE - MIRROR	Certified	2.90			56	1	0.50	0.00	1
12	ZZUN6349	1	INFINET SENSORY CUE - BUBBLES	Certified	2.87			70	1	0.50	0.00	1
13	ZZCH4288	1	ACCESS GATE	Certified	17.34			65	0	0.50	0.00	0
14	ZZCH7166	1	7ft TWISTED CLIMBER	Certified	123.91			245	2	2.00	0.60	1
15	ZZCH7238	1	ROPE LADDER- 60in DECK	Certified	52.59			369	1	2.00	0.06	1
16	ZZCH8160	1	SPIRAL CLIMBER (60in DECK)	Certified	92.33			207	2	1.00	0.03	1
17	ZZUN6267	2	INFINET POST W/ CAP FOR 24in NET	Certified	203.48			895	0	3.00	0.62	0
18	ZZUN6268	1	INFINET DBL CONNECTION POST W/ CAP FOR 24in-36in NETS	Certified	132.24			528	0	2.00	0.31	0
19	ZZUN6277	1	INFINET POST W/ CAP FOR 48in NET	Certified	130.35			583	0	1.50	0.31	0
20	ZZUN6280	1	INFINET POST W/ CAP FOR 60in NET	Certified	148.44			718	0	1.50	0.31	0
21	ZZUN6286	2	INFINET POST FOR 60in PORTAL	Certified	313.02			1,411	0	3.00	0.62	0
22	ZZUN6289	1	INFINET POST FOR 72in PORTAL	Certified	163.06			699	0	1.50	0.31	0
23	ZZUN6290	1	INFINET DBL CONNECTION POST W/ CAP FOR 72in-84in NETS	Certified	181.52			785	0	2.00	0.31	0
24	ZZUN6297	1	INFINET POST FOR 84in PORTAL	Certified	181.15			834	0	1.50	0.31	0
25	ZZUN6300	1	INFINET POST FOR 96in PORTAL	Certified	187.70			827	0	1.50	0.31	0
26	ZZUN6306	1	INFINET ROPE BRIDGE W/ 2 POSTS	Certified	589.96			2,922	2	3.00	0.62	1



INET-1735

Design Number: INET-1735 - Compliance and Technical Data

Reference Document: ASTM F1487

Ref. No.	Part No.	Qty.	Description	Unit ASTM Status	Total Weight (lbs)	Pre-Consumer Recycled Content (lbs)	Post-Consumer Content (lbs)	CO2e Footprint (kgs)	Users	Install Hours	Concrete (Yds3)	Active Play Events
27	ZZUN6307	1	INFINET SMALL NET	Certified	236.53			1,596	7	3.00	0.00	1
28	ZZUN6308	1	INFINET SMALL NET W/ TRANSFER AREA	Certified	292.58			1,540	5	3.50	0.00	1
29	ZZUN6309	1	INFINET MEDIUM NET	Certified	302.18			2,131	15	4.50	0.00	1
30	ZZUN6310	1	INFINET LARGE NET	Certified	522.37			4,768	29	10.00	0.00	1
31	ZZUN7027	1	DROP ZONE (72in DECK)	Certified	216.32			2,299	2	2.00	0.21	1
32	ZZUN6316	1	INFINET TALK TUBE (NET POST TO NET POST)	Certified	40.62			284	2	2.00	0.00	1
33	ZZCHGUID	1	CHALLENGER GUIDELINES	N/A	0.00			1	0	0.25	0.00	0
34	ZZUN9910	1	SURFACING WARNING LABEL KIT	Certified	0.05			1	0	0.25	0.00	0
35	ZZUN9930	1	PIPE SYSTEMS MAINTENANCE KIT W/ AEROSOL	N/A				90				
Totals:					6,785.34	1,206	2,447	28,993	84	78.00	5.02	16
					3,053.40 Kg	543 Kg	1,101 Kg	29 Metric Tons			3.82 m3	



INET-1735

Design Number: INET-1735 - Compliance and Technical Data

Reference Document: ASTM F1487

Ref. No.	Part No.	Qty.	Description	Unit ASTM Status	Total Weight (lbs)	Pre-Consumer Recycled Content (lbs)	Post-Consumer Content (lbs)	CO2e Footprint (kgs)	Users	Install Hours	Concrete (Yds3)	Active Play Events
----------	----------	------	-------------	------------------	--------------------	-------------------------------------	-----------------------------	----------------------	-------	---------------	-----------------	--------------------

ASTM F1487

The lay-out for this custom playscape, design number INET-1735, has been configured to meet the requirements of the ASTM F1487 standard. In addition, each of the above components listed as "Certified" have been tested and are IPEMA certified. Components listed as "Not Applicable" do not fall within the scope of the ASTM F1487 standard and have not been tested. IPEMA certification can be verified on the IPEMA website, www.ipema.org. In the interest of playground safety, IPEMA provides a Third Party Certification Service which validates compliance.

2010 ADA Standards for Accessible Design

The lay-out was also designed to meet the 2010 Standards published 15-Sep-2010, by the Department of Justice when installed over a properly maintained surfacing material that is in compliance with ASTM F1951 "Accessibility of Surface Systems Under and Around Playground Equipment" as well as ASTM F1292, "Impact Attenuation of Surfacing Materials Within the Use Zone of Playground Equipment", appropriate for the fall height of the structure.

Installation Times

Installation times are based on one experienced installer. A crew of three experienced individuals can perform the installation within the given time, each member working 1/3 of the given hours. [Eg. Installation Time = 30 hours. For a crew of three, each member will work 10 hours on the installation for a total of 30 hours on the project.]

Carbon Footprint

The CO2e (carbon footprint given in Kilograms and Metric Tons) listed above is a measure of the environmental impact this play structure represents from harvesting raw materials to the time it leaves our shipping dock. Playworld Systems nurtures a total corporate culture that is focused on eliminating carbon producing processes and products, reducing our use of precious raw materials, reusing materials whenever possible and recycling materials at every opportunity. Playworld Systems elected to adopt the Publicly Available Specification; PAS 2050 as published by the British Standards Institute and sponsored by Defra and the Carbon Trust. The PAS 2050 has gained international acceptance as a specification that measures the greenhouse gas emissions in services and goods throughout their entire life cycle.

Pre-Consumer Recycle Content

A measurement, in pounds, that qualifies the amount of material that was captured as waste and diverted from landfill during an initial manufacturing process and is being redirected to a separate manufacturing process to become a different product. E.g. 100% of our Aluminum Tubing is made from captured waste material during the manufacturing process of extruded Aluminum products such as rods, flat bars and H-channels.

Post-Consumer Recycle Content

A measurement, in pounds, that qualifies the amount of material that was once another product that has completed its lifecycle and has been diverted from a landfill as a solid waste through recycling and is now being used in a Playworld Systems' product. E.g. **20% to 40% of the steel in our steel tubing and sheet steel have been diverted from landfills. Automobiles are scrapped and recyclable steel is purchased by the steel mill that produces our raw product.

** The amount of Post-Consumer recycled steel fluctuates daily based on the availability of the recycled steel.

